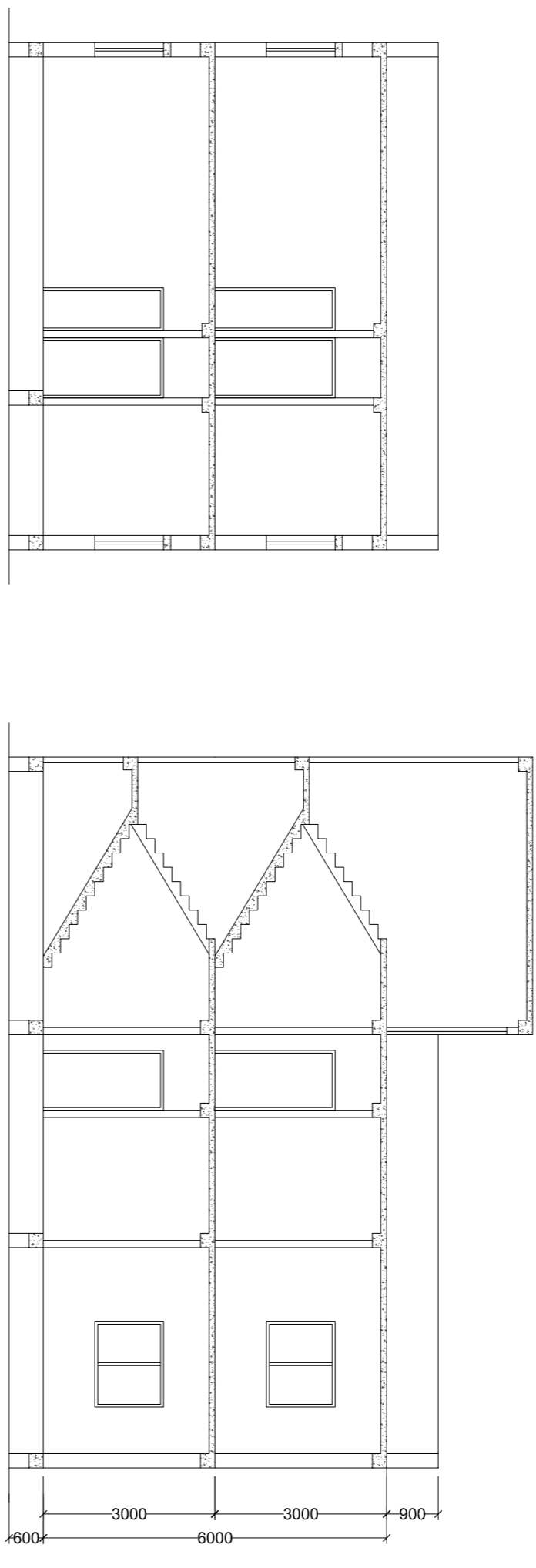


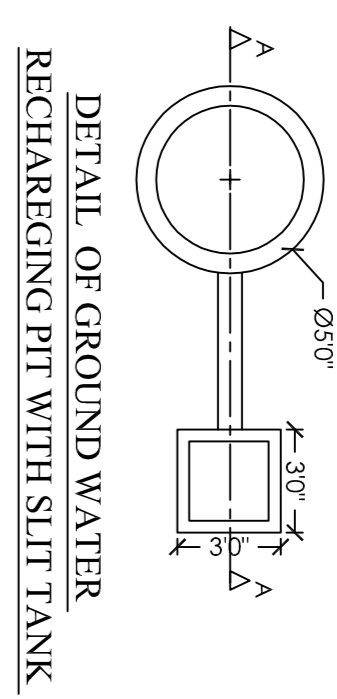
FRONT ELEVATION  
Scale - 1:100

RIGHT SIDE ELEVATION  
Scale - 1:100

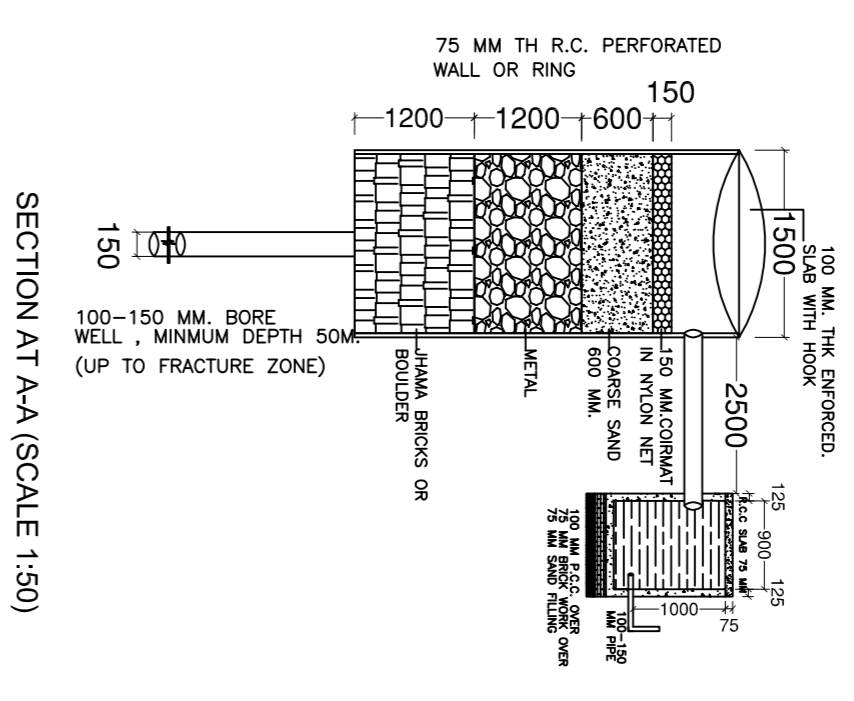


SECTION B-B  
Scale - 1:100

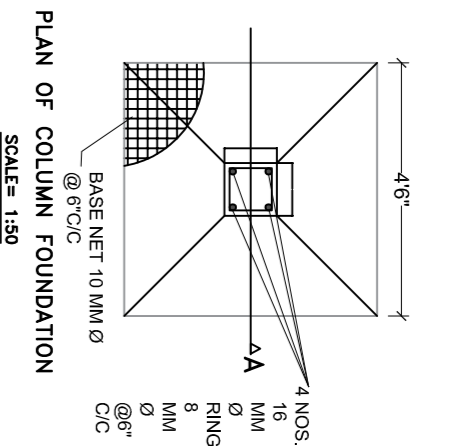
SECTION A-A  
Scale - 1:100



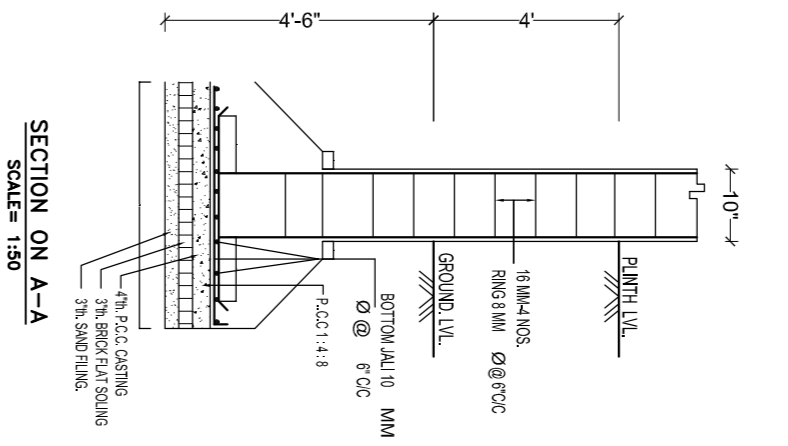
DETAIL OF GROUND WATER RECHARGING PIT WITH SLIT TANK



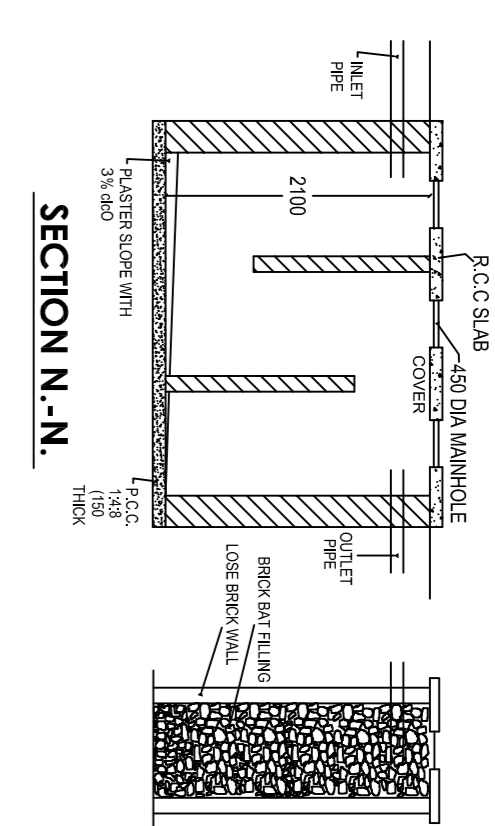
SECTION AT A-A (SCALE 1:50)



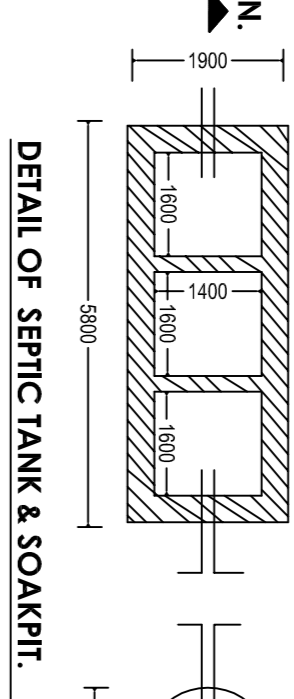
PLAN OF COLUMN FOUNDATION  
SCALE 1:50



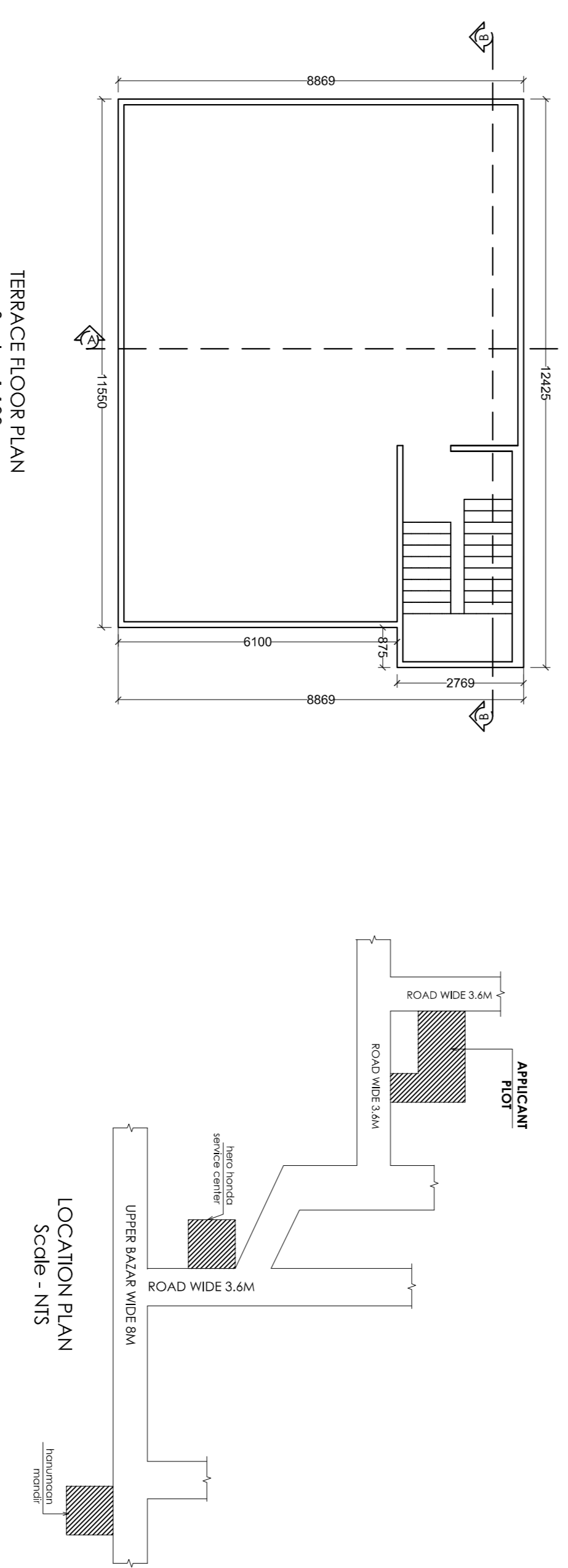
SECTION ON A-A  
SCALE 1:50



SECTION N-N

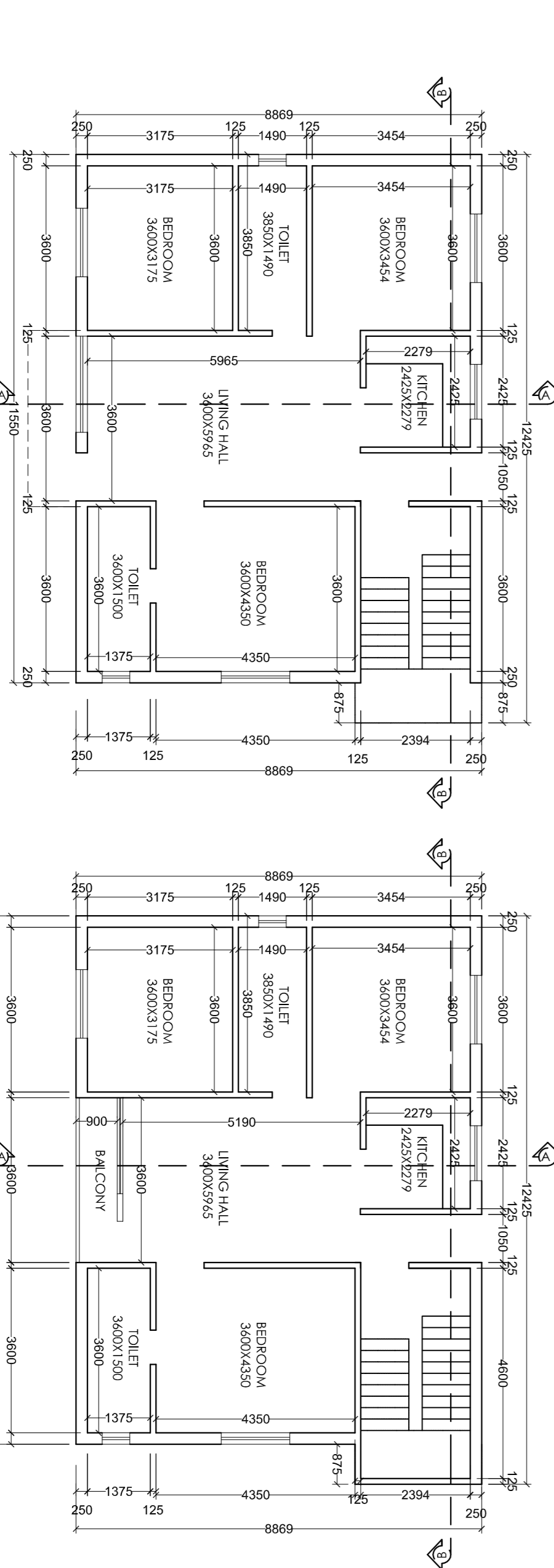


DETAIL OF SEPTIC TANK & SOAKPIT.



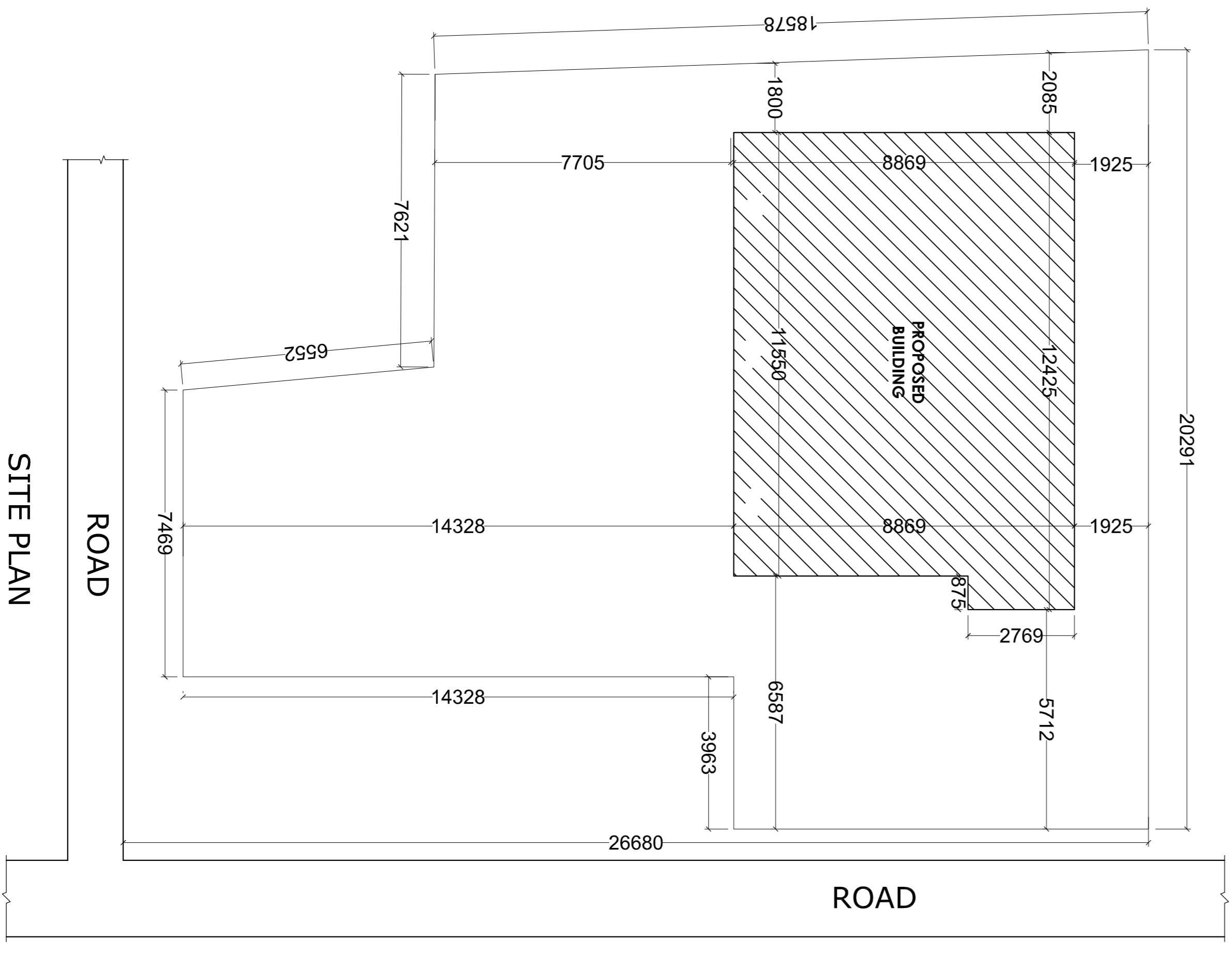
TERRACE FLOOR PLAN  
Scale - 1:100

LOCATION PLAN  
Scale - NTS



GROUND FLOOR PLAN  
Scale - 1:100

FIRST FLOOR PLAN  
Scale - 1:100



SITE PLAN  
Scale - 1:100

General notes			
1	ALL DIMENSION ARE IN MILLIMETRES UNLESS OTHERWISE STATED.		
2	NO DIMENSION IS TO BE SCALED OFF THE DRAWING.		
3	DRAWINGS TO BE READ IN CONJUNCTION WITH ALL RELEVANT DRAWINGS & SPECIFICATIONS.		
4	REFER WRITTEN DIMENSIONS ONLY.		
5	DOORS AND WINDOW FRAME NOT TO BE FIRED ALONG WITH BRICK WORK.		
6	INTERNAL PLASTER SHOULD BE 12MM THICK AND EXTERNAL PLASTER IS 25MM THICK.		
7	FOUNDATION DEPTH UP TO GOOD SOIL.		
8	CEMENT MORTAR OF MIX (1:6) FOR ENTIRE STRUCTURE AND PLASTER WORK.		
9	SEPTIC TANK WILL BE FLUSHING SYSTEM.		
10	ALL REINFORCEMENT SHALL BE OF TOR STEEL OF GRADE FT-415.		
11	GRADE OF CONCRETE SHALL BE M-20		

schedule of area			
PLOT AREA AS PER SITE	- 391.041 SQ.M.		
AREA OF GROUND FLOOR	- 104.859 SQ.M.		
AREA OF FIRST FLOOR	- 104.859 SQ.M.		
TOTAL BUILD UP AREA	- 209.718 SQ.M.		
% OF COVERED AREA	- 26.81%		
TOTAL F.A.R. ACHIEVED	- 0.53		

schedule of openings			
V	600	300	2400
W3	900	1200	900
W2	1200	1200	900
W	1500	1200	900
CG	1500	2100	NILL
D3	700	2100	NILL
D2	900	2100	NILL
D1	1000	2100	NILL
D	1000	2100	NILL

TYPE			
D	1000	2100	NILL
D1	1000	2100	NILL
D2	900	2100	NILL
D3	700	2100	NILL
CG	1500	2100	NILL
W	1500	1200	900
W2	1200	1200	900
W3	900	1200	900
V	600	300	2400

PROPOSED RESIDENTIAL BUILDING PLAN OF VIRENDR KUMAR MAHTO.			
S/O LATE MAKEW/MAH MAHTO.	PLOT NO. :- 2249 2250 & 2251 KHATA NO. :- 299, THANA NO. :- 194, WARD NO. :- 20, AREA :- 9.65, DECIMAL MAJUA :- LOHARDAGA.		
DIST - LOHARDAGA - 835302.	STATE - JHARKHAND		

owner			
VIRENDR KUMAR MAHTO.			
S/O LATE MAKEW/MAH MAHTO.			
PLOT NO. :- 2249 2250 & 2251 KHATA NO. :- 299, THANA NO. :- 194, WARD NO. :- 20, AREA :- 9.65, DECIMAL MAJUA :- LOHARDAGA.			
DIST - LOHARDAGA - 835302. STATE - JHARKHAND			

architect			
A/H GROUP			
New Road, Jharkhand (Dumka)			
Mobile No: 9394564442			
E-mail:- mndadai@ahgroup.com			

CLIENT			
ENGINEER / ARCHITECT			