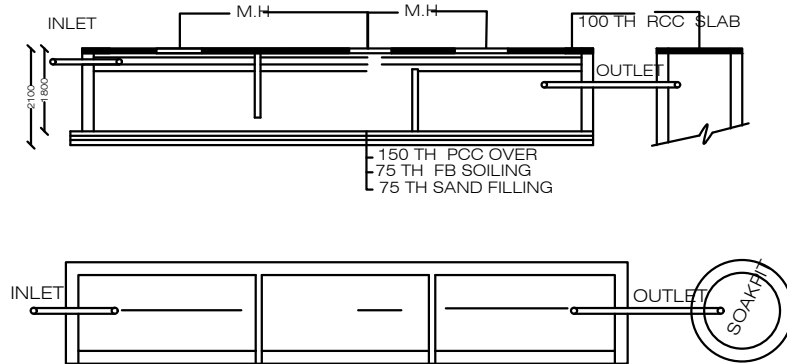


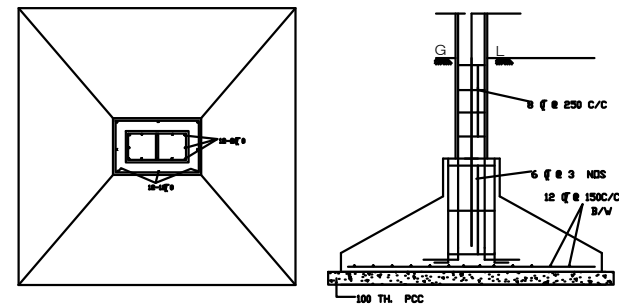
DESIGN OF RECHARGE PIT FOR ROOF TOP RAIN WATER HARVESTING

Rain Water Storage Tank Detail



Septic Tank Detail

Location Plan



Structure Detail