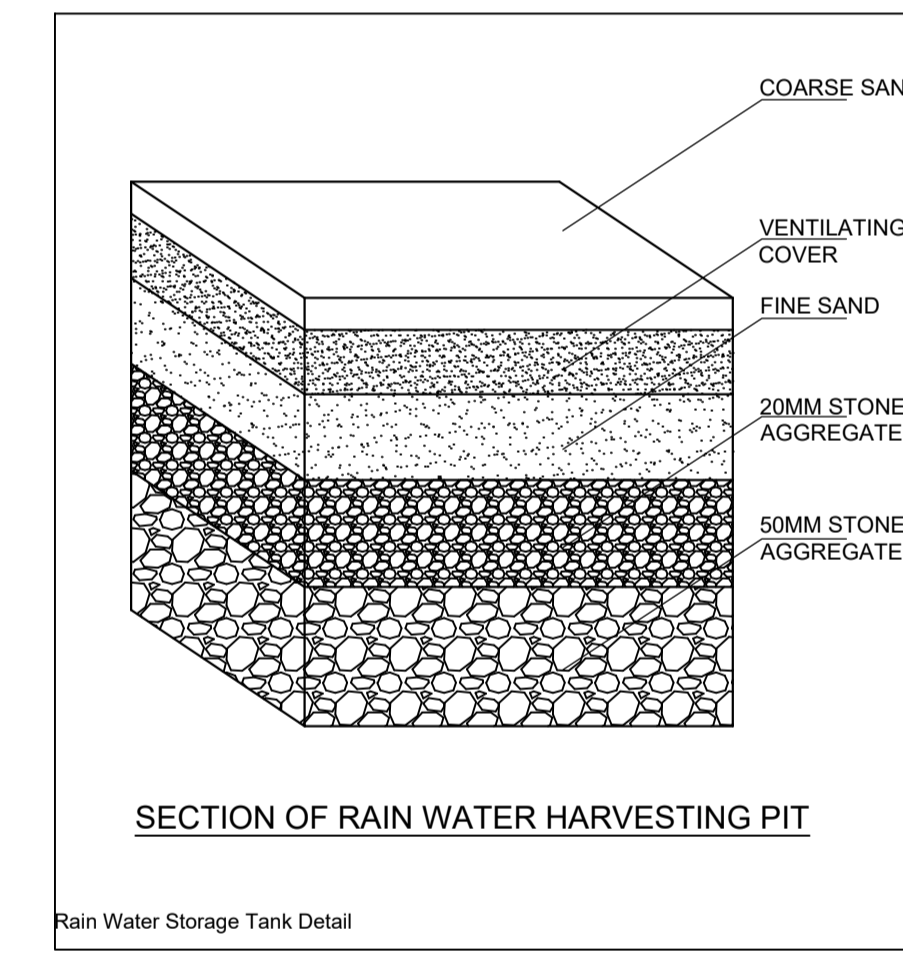
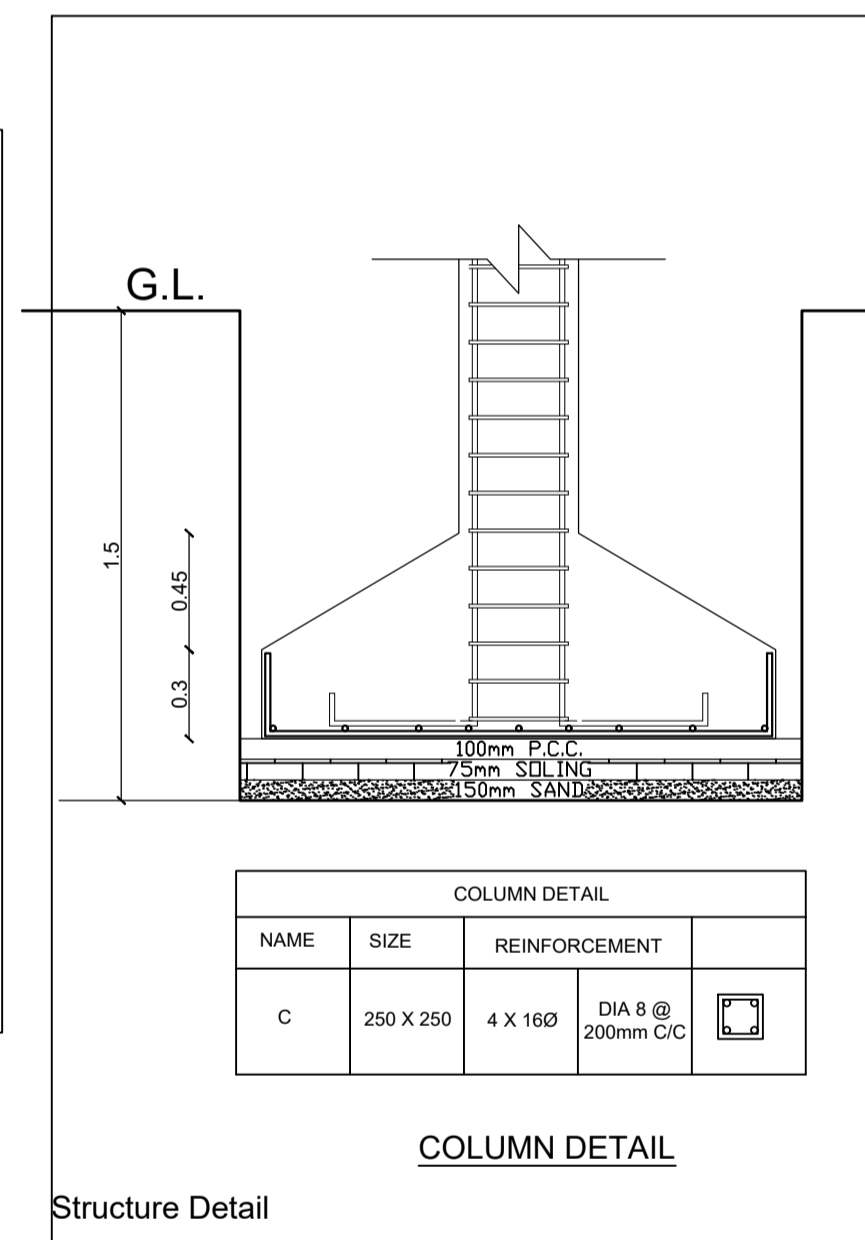
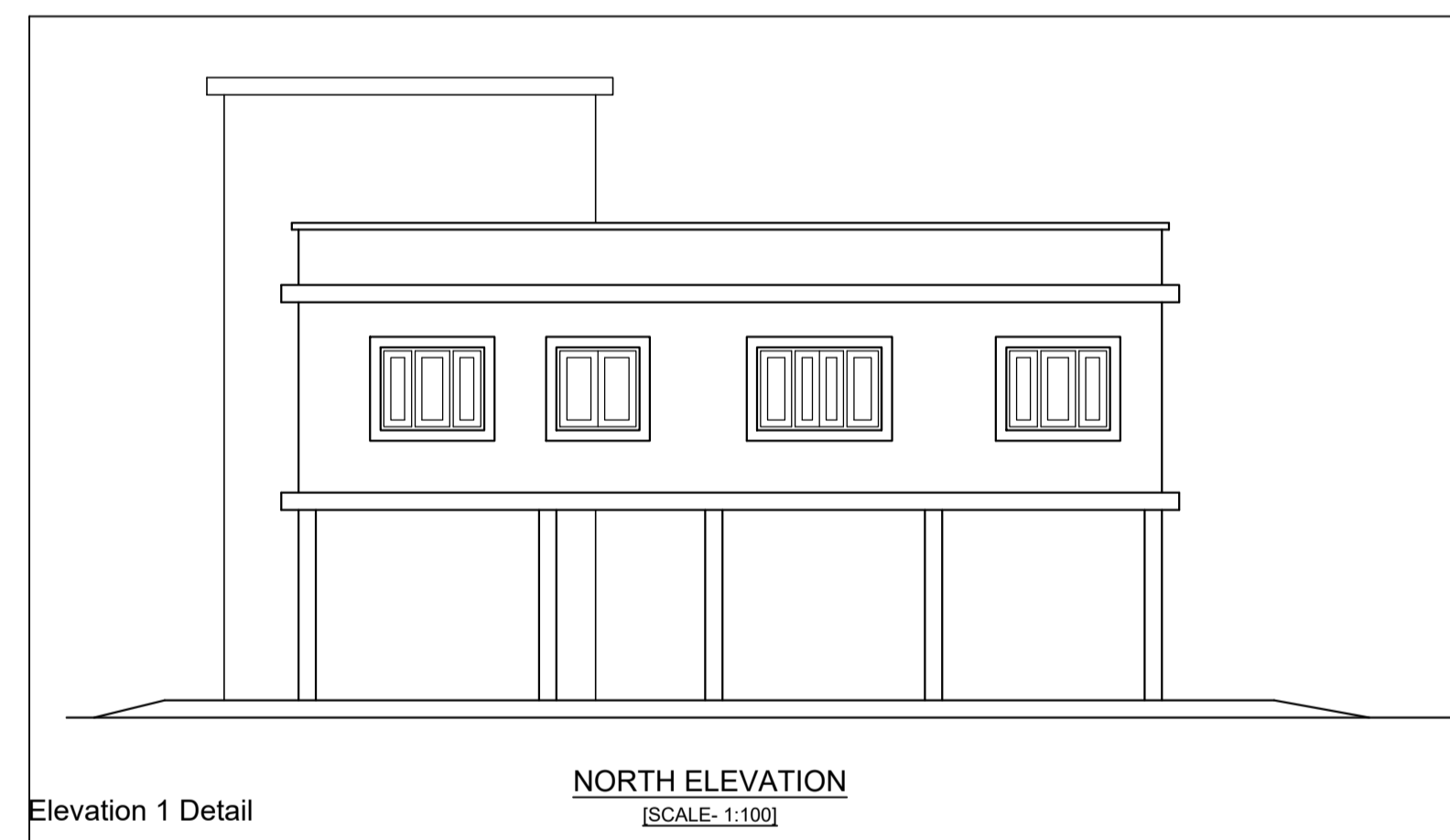
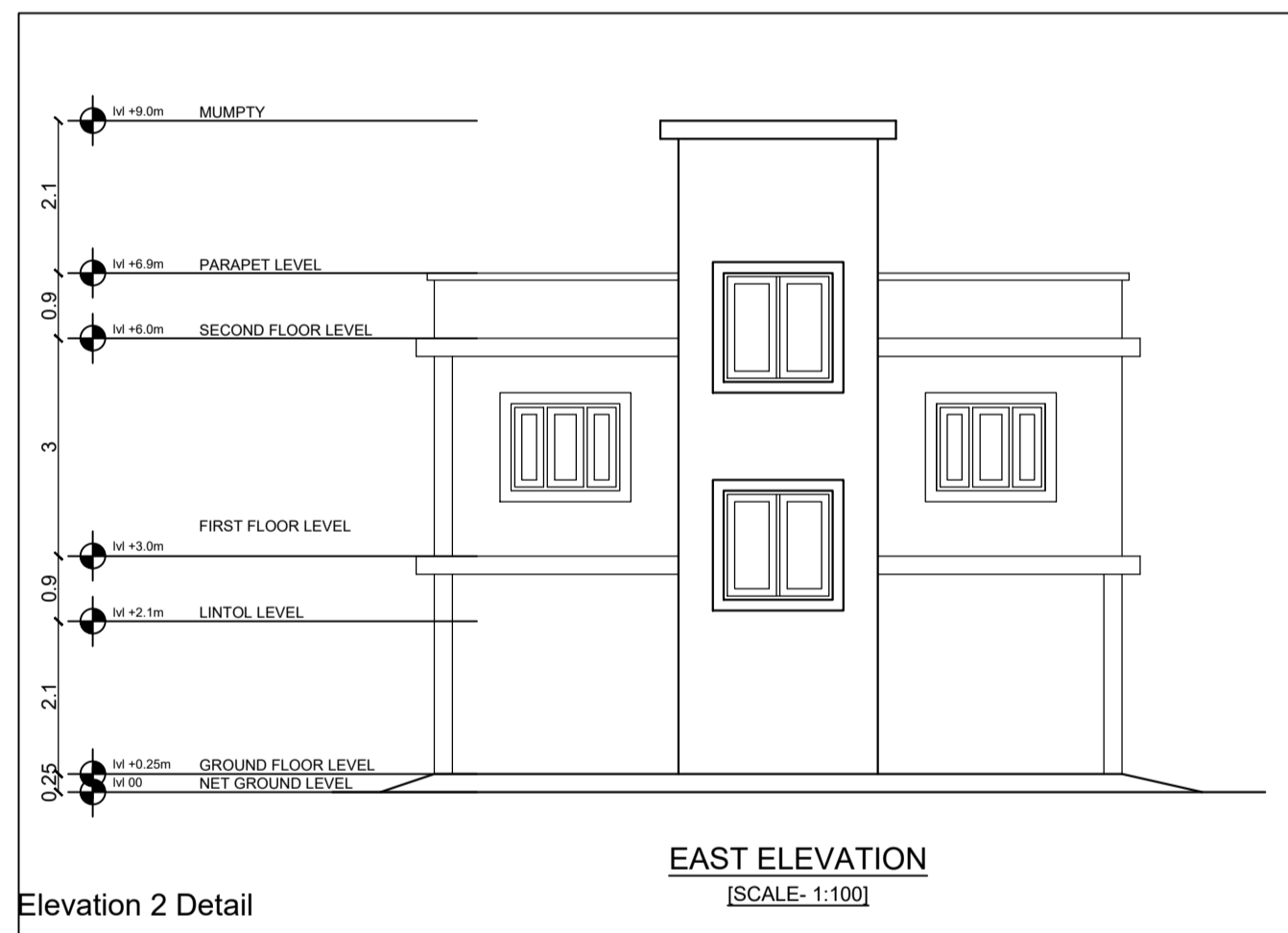


- SPECIFICATIONS**
- FOUNDATION**- 150MM THICK P.C.C OVER BRICK SOLING OVER 75MM THICK SAND FILLING
 - BRICK WORK**- BRICK WRK IN CEMENT MORTAR WITH FIRST CLASS BRICK
 - LINTEL**- 150MM THICK R.C.C.LINTEL
 - ROOFING**- 50MM THICK LIME TERRACING OVER 100MM THICK R.C.C ROOF SLAB
 - FLOORING**- 25MM THICK MARBLE FLOOR OVER 100MM THICK DRY RAMMED KHDA
 - PLASTER**- 12MM THICK CEMENT PLASTER ON INTERNAL WALLS AND 15MM THICK ON EXTERNAL WALLS OF BUILDING. PAINT ON EXTERIOR FINISH AND WASHABLE ACRYLIC DISTEMPER OVER PUTTY ON INTERIOR FINISH.



AREA CALCULATION

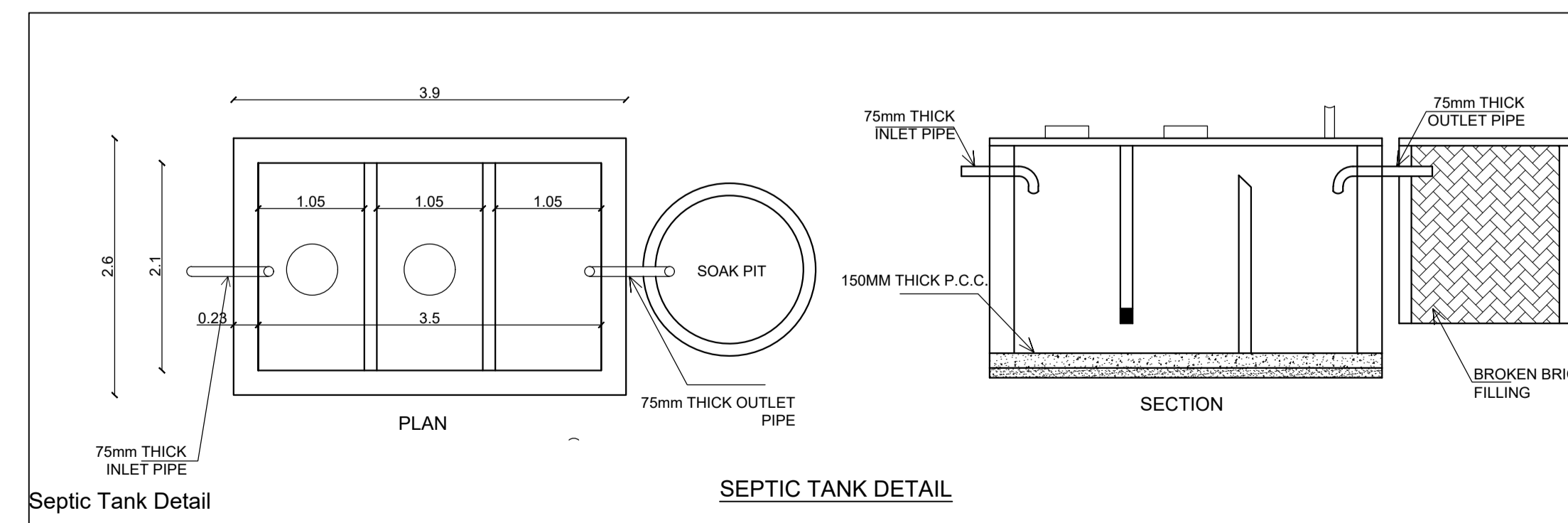
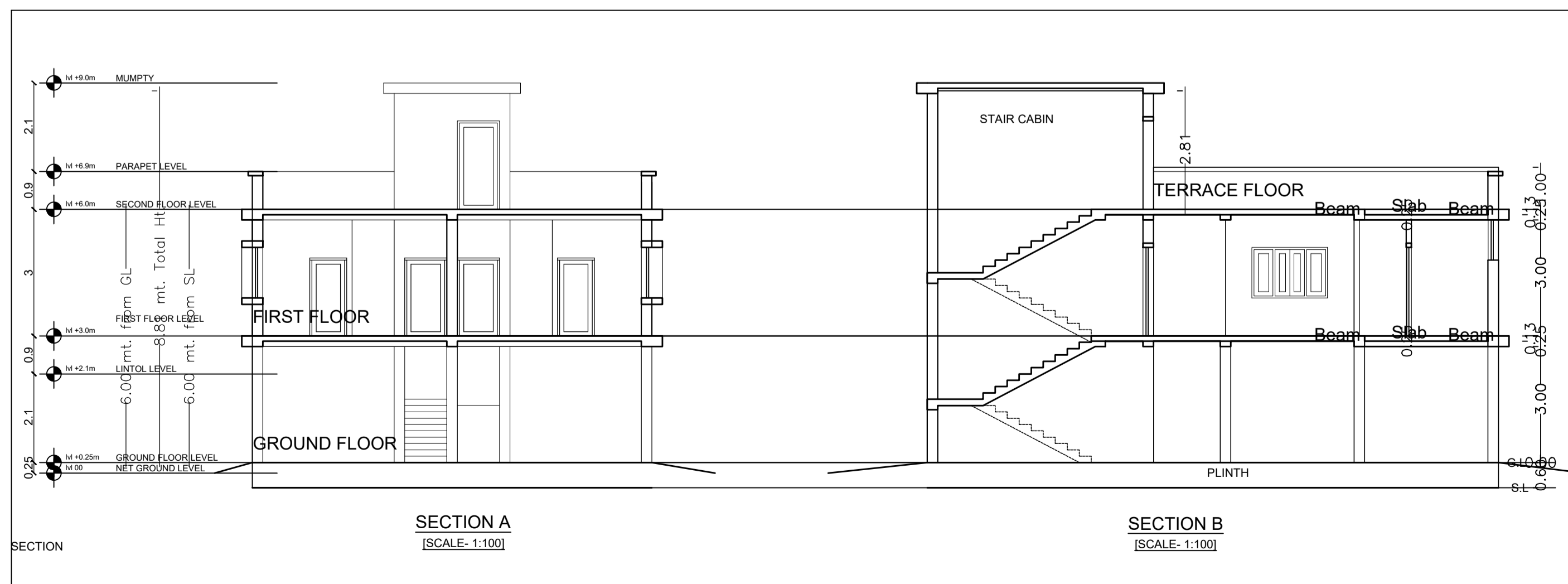
TOTAL SITE AREA = 379.124 Sq.m / 4080 Sq.ft.)

BUILT UP AREA -
 121.18 Sq.m (1304 Sq.ft.) - GROUND FLOOR
 121.18 Sq.m (1304 Sq.ft.) - FIRST FLOOR

242.36 Sq.m (2608 Sq.ft.) - TOTAL BUILT-UP AREA

GROUND COVERAGE
 121.18 X 100 = 31%
 379.124

F.A.R. = $\frac{242.36}{379.124} = 0.64$



PROPOSED G+1 RESIDENTIAL BLOCK AT MADHUBAN NAGRATOLI, LOHARDAGA JHARKHAND

FOR :
 MRS. DANI JHUNKA KUJUR
 W/O DANIEL KUJUR
 PLOT NO. - 1236
 KHATA NO.- 361
 THANA NO. -194

DRAWING NAME :
SUBMISSION DRAWING

SHEET NO. 1 SHEET SIZE A1 ARCHITECT: ASHISH DEEP TOPPD 7992304518

ALL DIMENSIONS IN MM SCALE - AS MENTIONED