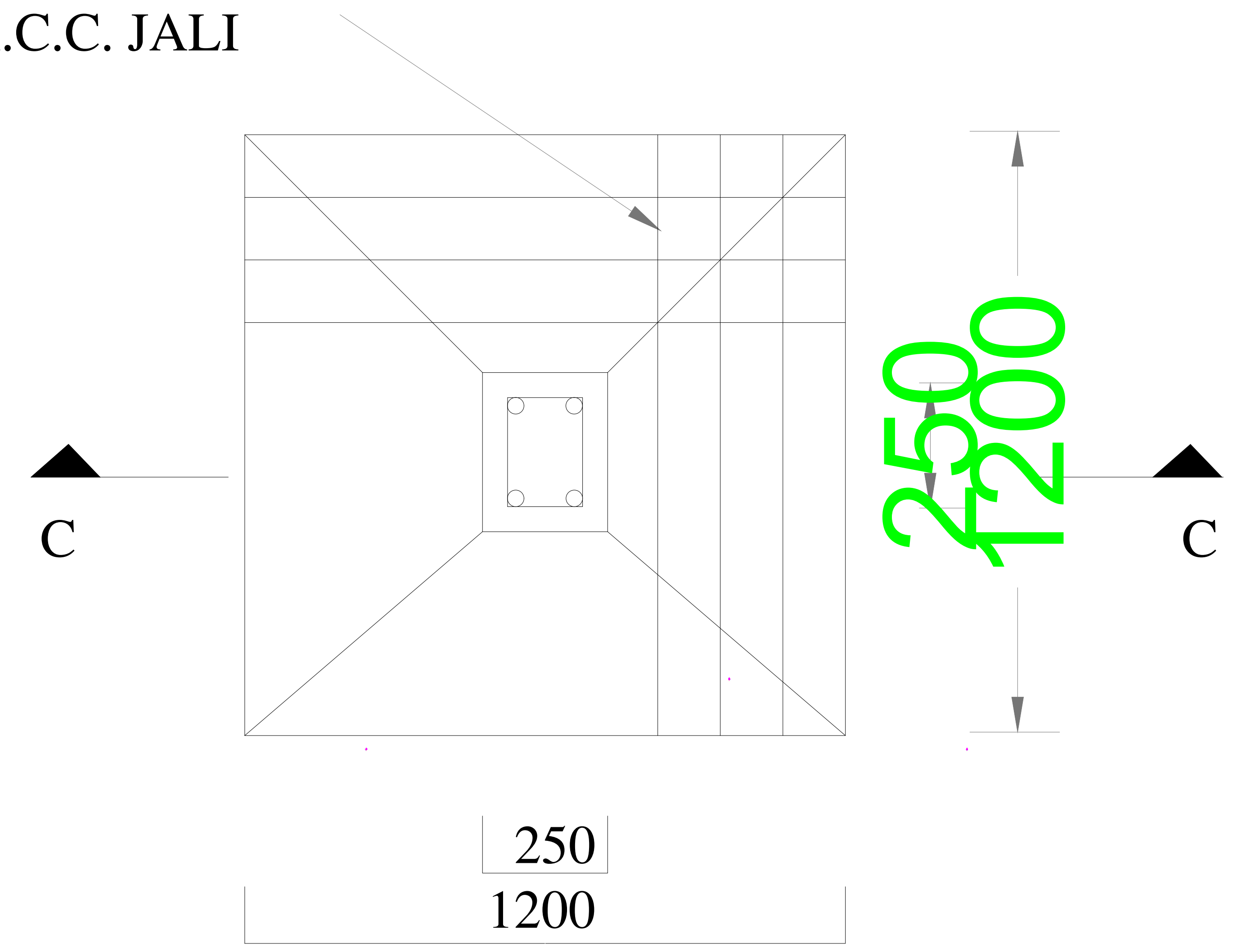


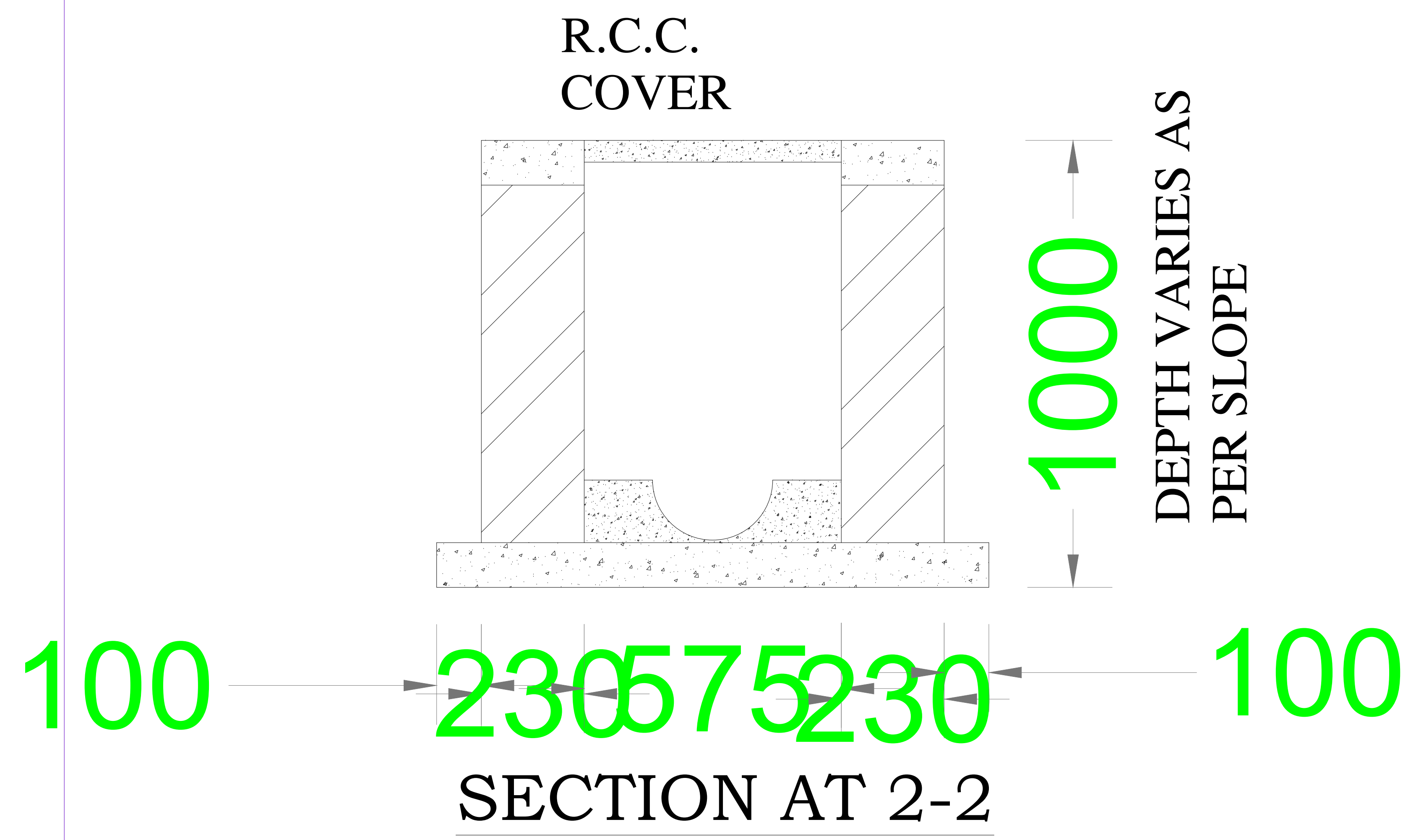
SECTION -CC

10 TOR @150 C/C
BOTH WAY
R.C.C. JALI

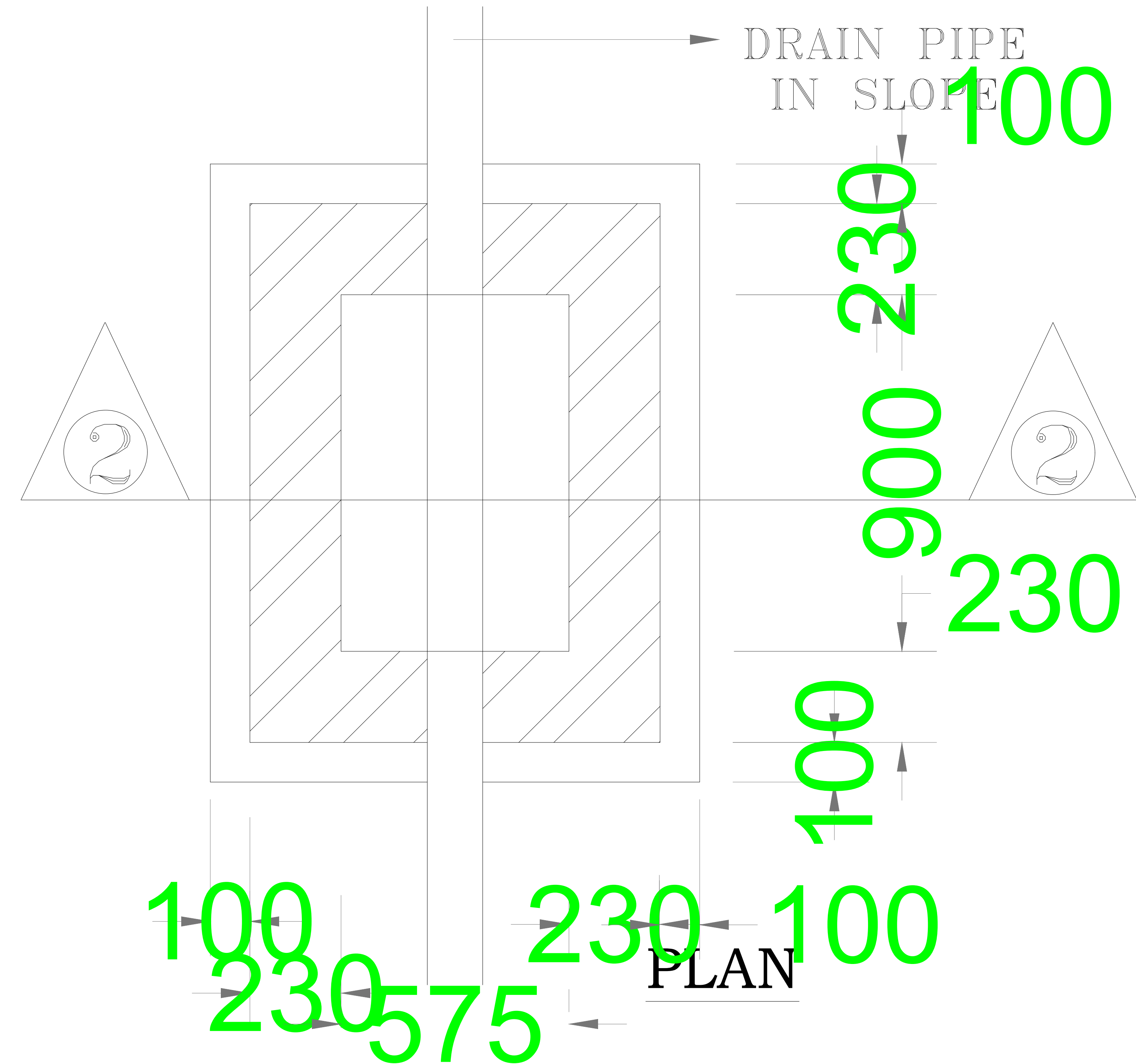


PLAN

DETAIL OF FOUNDATION



SECTION AT 2-2



I.C.DETAILS

STRUCTURE DETAIL