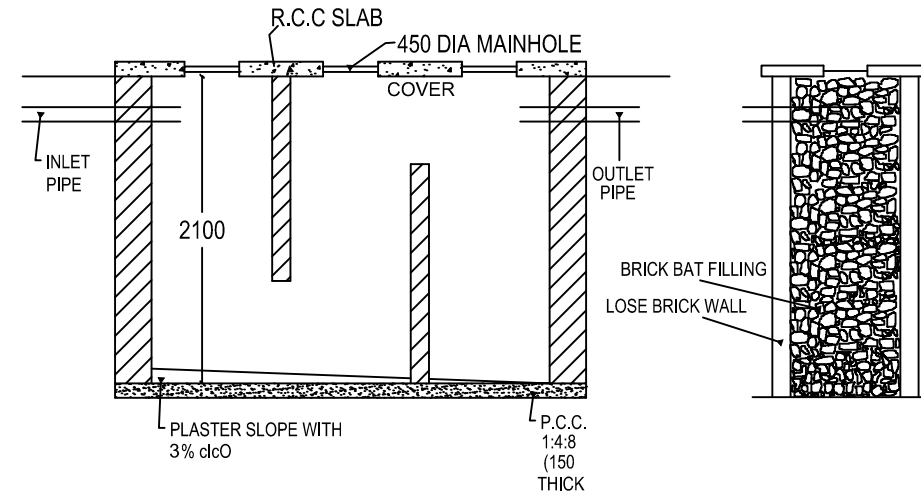
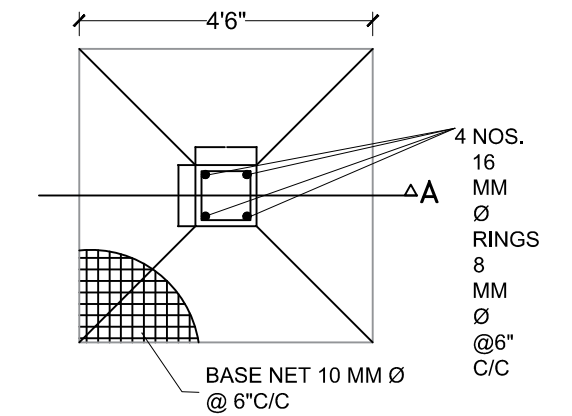


DETAIL OF GROUND WATER RECHARGING PIT WITH SLIT TANK

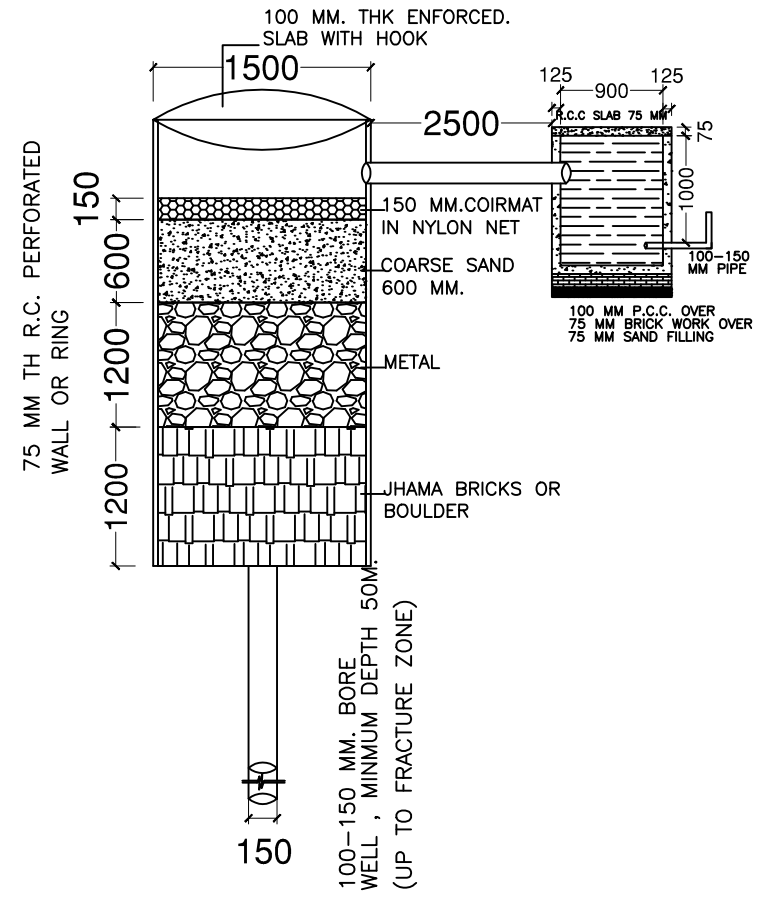


SECTION N.-N.

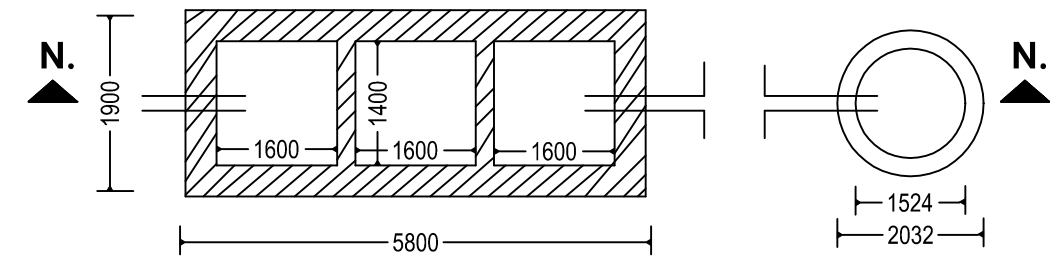


PLAN OF COLUMN FOUNDATION

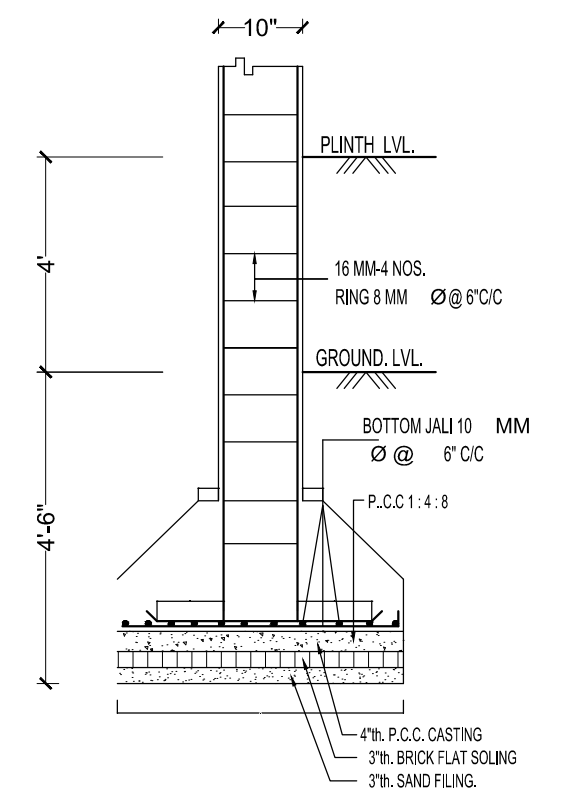
SCALE= 1:50



SECTION AT A-A (SCALE 1:50)



DETAIL OF SEPTIC TANK & SOAKPIT.



SECTION ON A-A
SCALE= 1:50