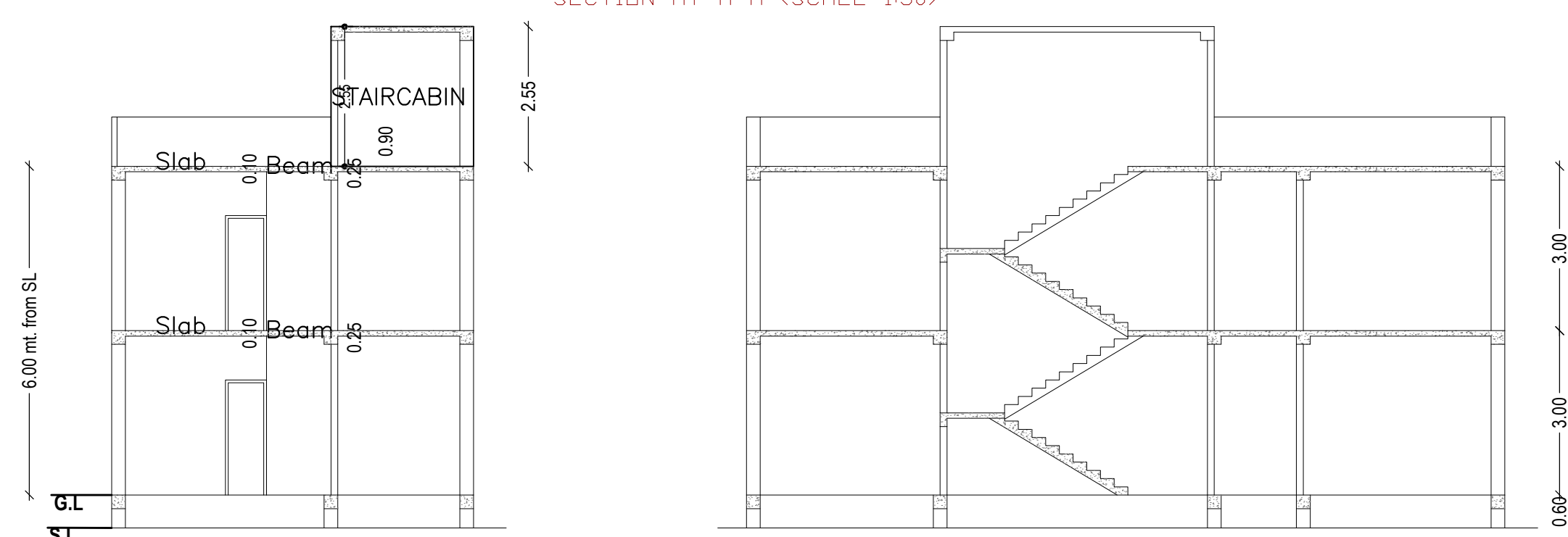
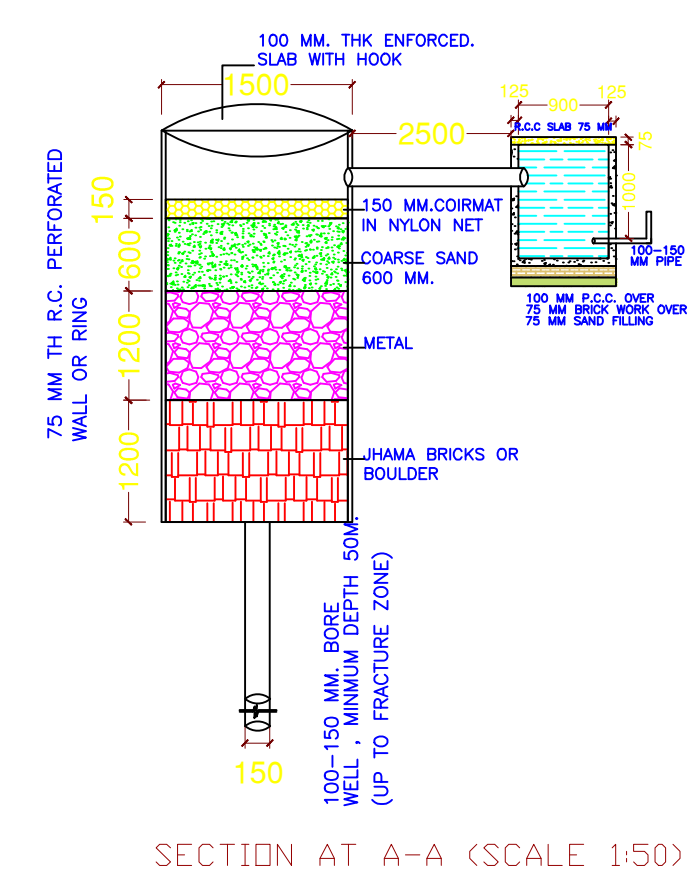
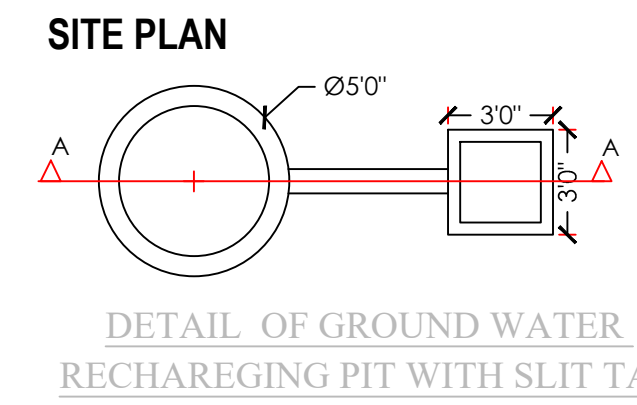
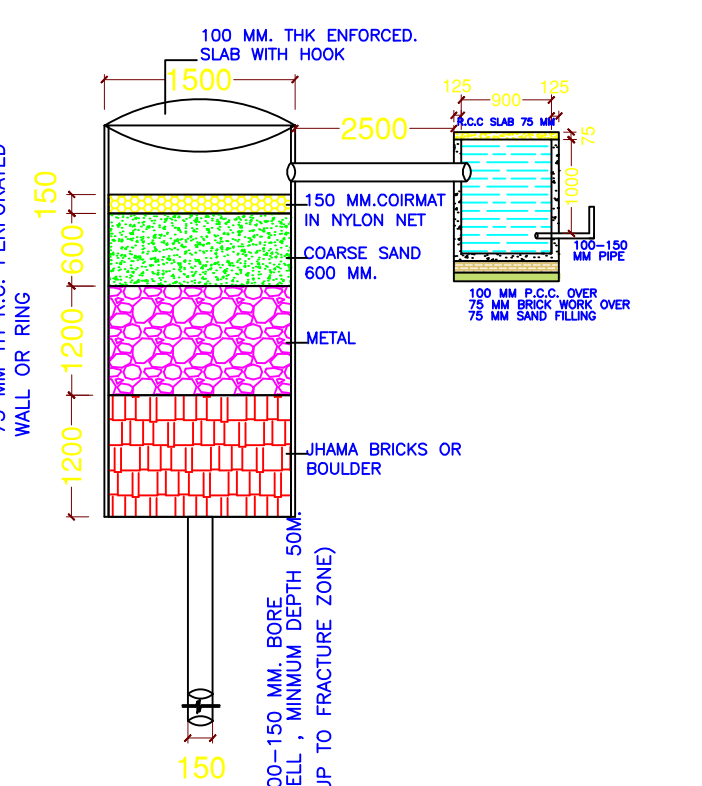
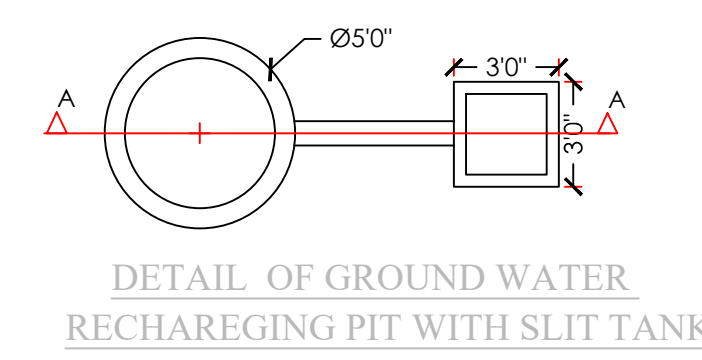
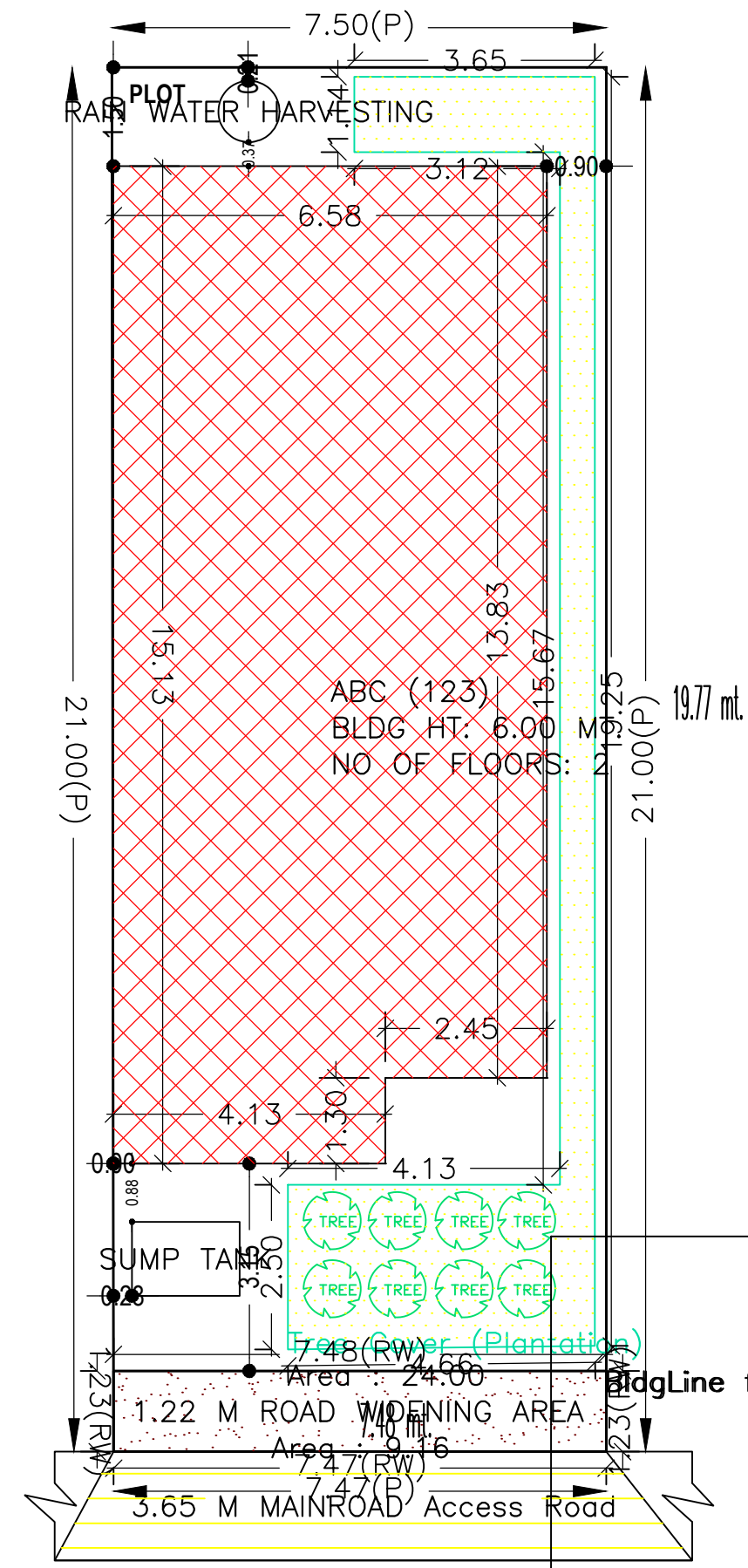
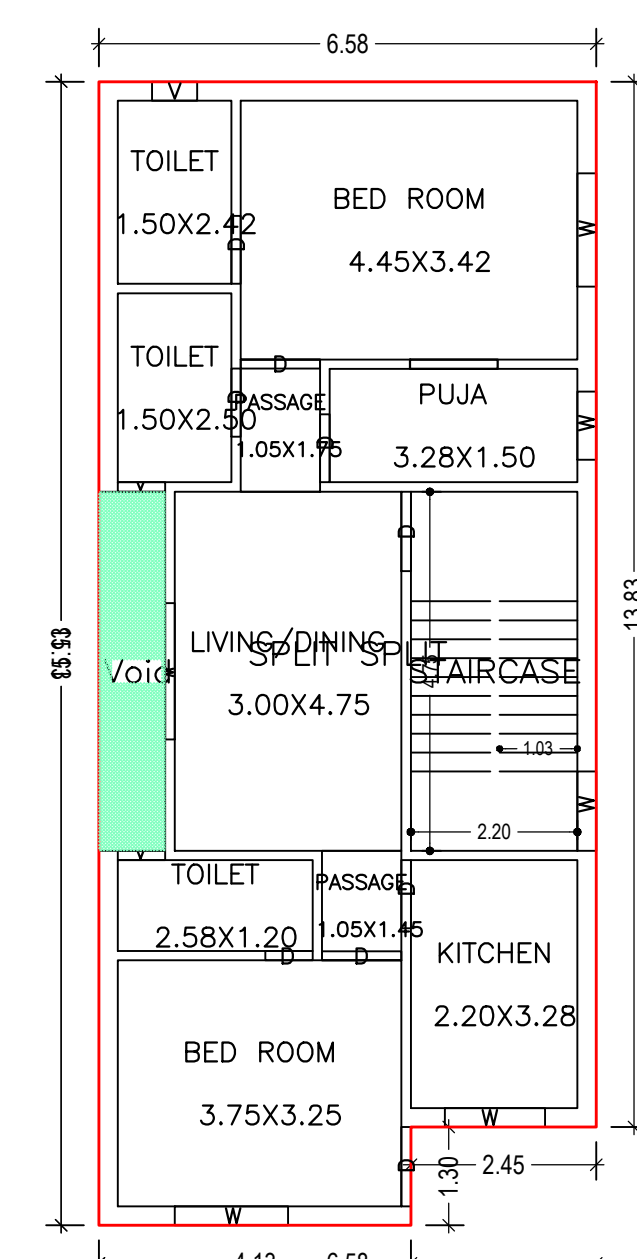
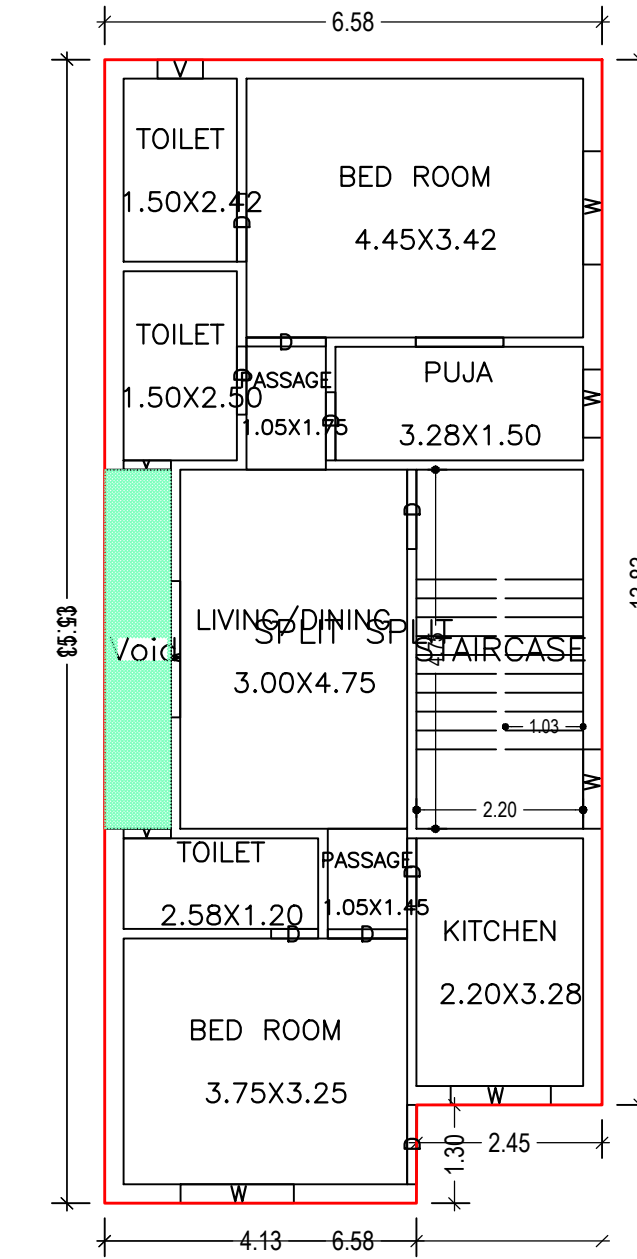
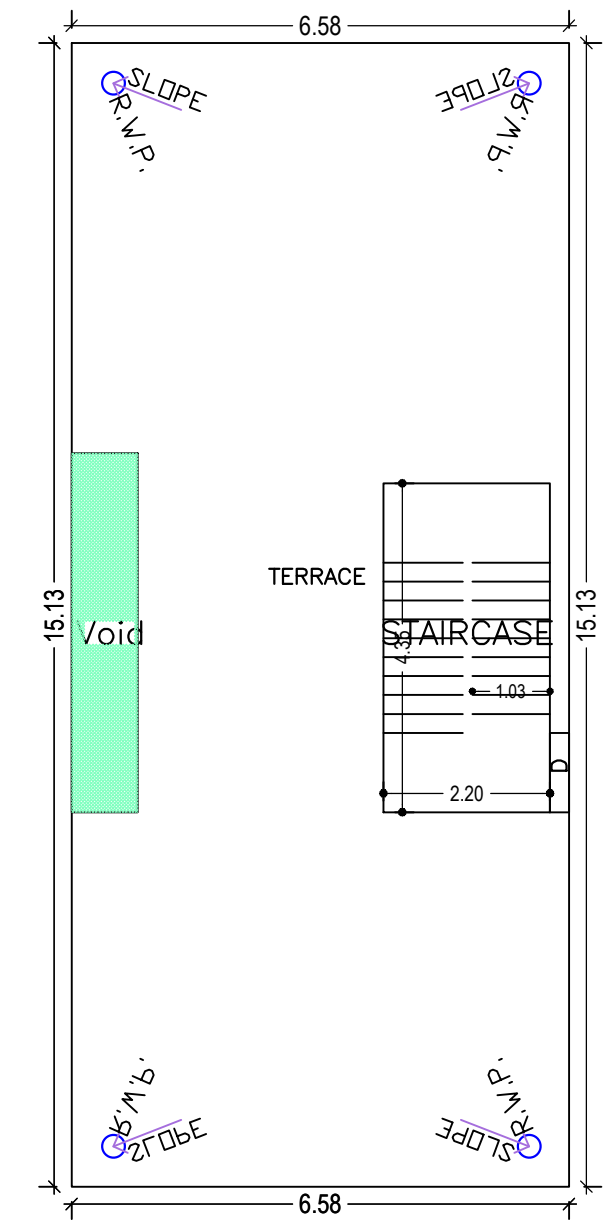
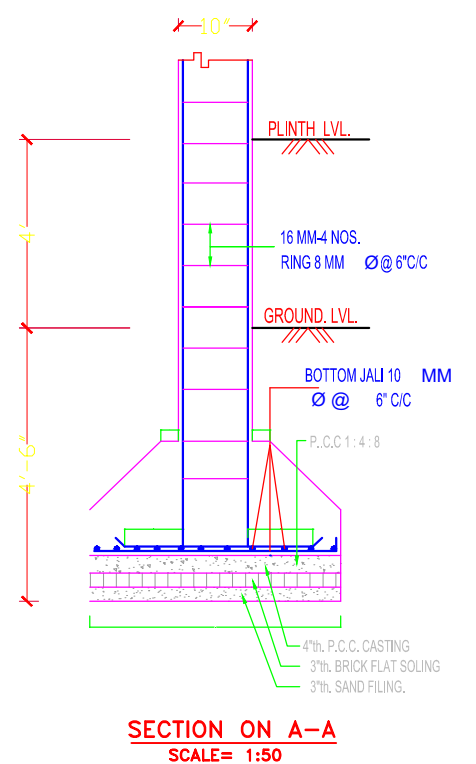
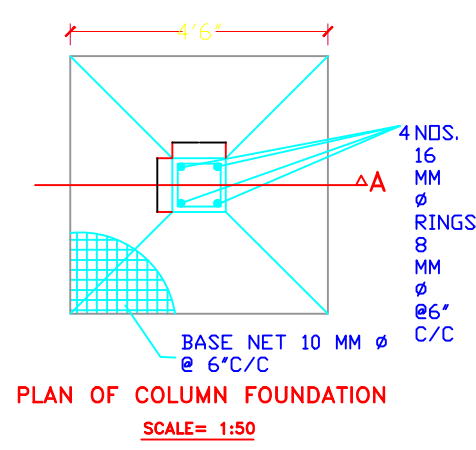
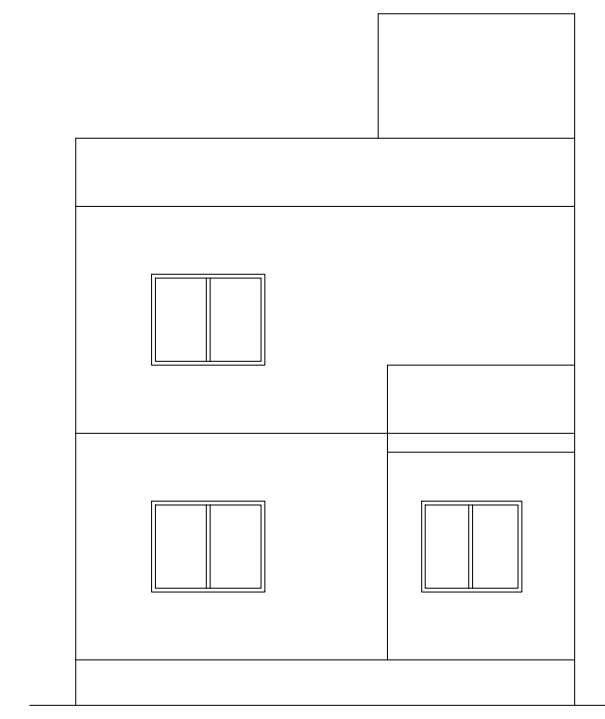


Proposal Basic Information	
Proposal File No.	LNP/BP/0036/W04/2022
Owner Name	PUJA SRIVASTAV
Khata No	124
Plot No	797
Village Name	Katmu
Use	Residential
SubUse	Bungalow/ Dwelling / Non Apartment



Building :ABC (123)

Floor Name	Total Built Up Area (Sq.mt.)	Deductions (Area in Sq.mt.)	Proposed FAR Area (Sq.mt.)	Total FAR Area (Sq.mt.)	Total Consumed Additional FAR Area (Sq.mt.)	Tnmt (No.)
Ground Floor	96.33	4.16	92.17	92.17	92.17	01
First Floor	96.33	4.16	92.17	92.17	92.17	00
Terrace Floor	0.00	0.00	0.00	0.00	0.00	00
Total :	192.66	8.32	184.34	184.34	184.34	01
Total Number of Same Buildings	1					
Total :	192.66	8.32	184.34	184.34	184.34	01

SCHEDULE OF DOOR:

BUILDING NAME	NAME	LENGTH	HEIGHT	NOS
ABC (123)	D	0.63	2.10	02
ABC (123)	D	0.90	2.10	08
ABC (123)	D	1.05	2.10	08

SCHEDULE OF WINDOW/VENTILATION:

BUILDING NAME	NAME	LENGTH	HEIGHT	NOS
ABC (123)	V	0.60	1.20	02
ABC (123)	V	0.63	1.20	04
ABC (123)	W	0.90	1.20	02
ABC (123)	W	1.05	1.20	02
ABC (123)	D	1.05	1.20	01
ABC (123)	W	1.33	1.20	02
ABC (123)	W	1.50	1.20	04
ABC (123)	W	1.80	1.20	02

Building USE/SUBUSE Details

Building Name	Building Use	Building SubUse	Building Structure
ABC (123)	Residential	Bungalow/ Dwelling / Non Apartment	Non-Highrise

UnitBUA Table for Building :ABC (123)

FLOOR	Name	UnitBUA Type	UnitBUA Area	Carpet Area	No. of Rooms	No. of Tenement
GROUND FLOOR PLAN	SPLIT SPLIT FLAT	FLAT	184.34	184.05	10	1
FIRST FLOOR PLAN	SPLIT SPLIT FLAT	FLAT	0.00	0.00	10	0
Total:	-	-	184.34	184.05	20	1

FAR & Tenement Details (Table 4c-1)

Building	No. of Same Bldg	Total Built Up Area (Sq.mt.)	Deductions (Area in Sq.mt.)	Proposed FAR Area (Sq.mt.)	Total FAR Area (Sq.mt.)	Total Consumed Additional FAR Area (Sq.mt.)	Tnmt (No.)
ABC (123)	1	192.66	8.32	184.34	184.34	184.34	01
Grand Total :	1	192.66	8.32	184.34	184.34	184.34	01

Buildingwise Floor FAR Details

Floor Name	Building Name		Total	
	Proposed Built Up Area (Sq.mt.)	Proposed FAR Area (Sq.mt.)	Total Proposed Built Up Area (Sq.mt.)	Total FAR Area (Sq.mt.)
Ground Floor	96.33	92.17	96.33	92.17
First Floor	96.33	92.17	96.33	92.17
Terrace Floor	0.00	0.00	0.00	0.00
Total :	192.66	184.34	192.66	184.34

COLOR INDEX

PLOT BOUNDARY	Black
ABUTTING ROAD	Green
PROPOSED CONSTRUCTION	Red
COMMON PLOT	Yellow
ROAD WIDENING AREA	Blue
EXISTING (To be retained)	Orange
EXISTING (To be demolished)	Light Blue

AREA STATEMENT		VERSION NO. : 1.0.62
LOHARDAGA NAGAR PARISHAD		VERSION DATE: 16/10/2020
PROJECT DETAIL:		
Region: JHARKHAND URBAN LOCAL BODIES	Plot Use: Residential	
District: LOHARDAGA	Plot SubUse: Bungalow/ Dwelling / Non Apartment	
Authority: LOHARDAGA NAGAR PARISHAD	PlotNearby/ReligiousStructure: NA	
Inward No: LNP/BP/0036/W04/2022	Plot/SubPlot No: 797	
Application Type: General Proposal	North: -	
Project Type: Building Permission	South: -	
Nature of Development: New	East: -	
Location of Development Area: Old Area	West: -	
AREA DETAILS:		
AREA OF PLOT (Minimum)	(A)	SQ.MT. 157.23
Deduction for NetPlot Area		
Road Widening Area		9.16
Total		9.16
NET AREA OF PLOT(Gross Plot Area - Deduction from Gross Plot area)	(A-Deductions)	148.07
Deduction for Balance Plot Area(from Gross Plot Area)		
Road Widening Area		9.16
Common Plot		24.00
Total		33.16
BALANCE AREA OF PLOT(Net Plot Area - Recreational/Amenity space)	(A-Deductions)	124.07
PLOT AREA FOR COVERAGE(Net Plot Area)	(A-Deductions)	148.07
Plot Area for FAR (Net Plot Area + RoadWidening Area)	(A-Deductions)	148.07
COVERAGE CHECK		
Permissible Coverage area (70.00 %)		103.65
Proposed Coverage Area (65.06 %)		96.33
Total Prop. Coverage Area (65.06 %)		96.33
Balance coverage area (4.94 %)		7.32
FAR CHECK		
Perm. FAR Area (1.50)		222.11
Total Perm. FAR area		222.11
Residential FAR		184.34
Proposed FAR Area		184.34
Total Proposed FAR Area		184.34
Consumed FAR (Factor)		1.24
Balance FAR Area		37.77
BUILT UP AREA CHECK		
Total Proposed BuiltUp Area		192.66
ARCHITECT (Regd)	Ataul Haque	
ENGINEER (Regd)		
SUPERVISOR (Regd)		
OWNER (Regd)	PUJA SRIVASTAV	
DEVELOPMENT AUTHORITY		LOCAL BODY

LTP NAME AND SIGNATURE	STRUCTURAL ENG'S NAME AND SIGNATURE	BUILDER NAME AND SIGNATURE	DIGITAL SIGNATURE
Ataul Haque LNP/ENG/001/2021			