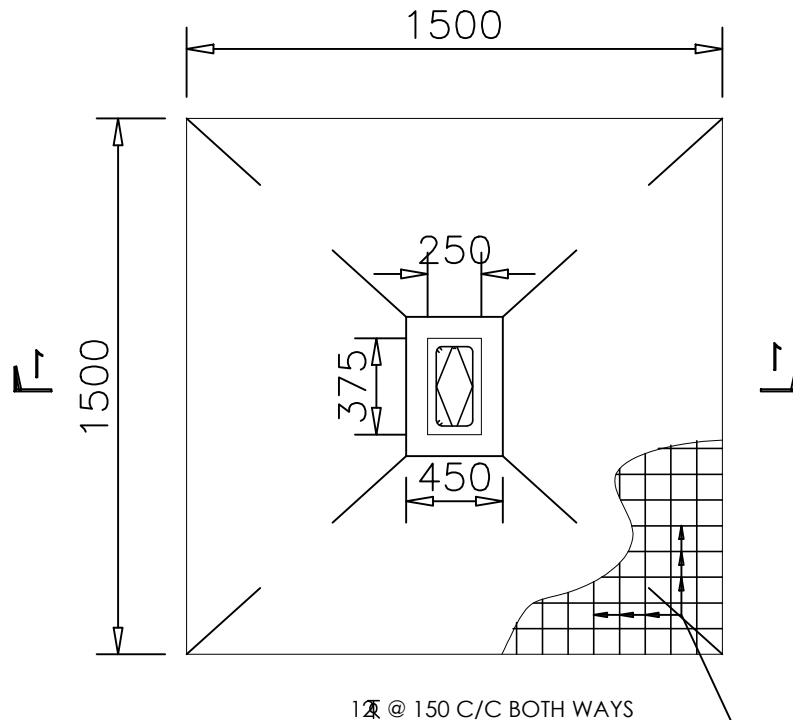


Section at '1-1'

75mm. THK. P.C.C. (1:3:6)
75mm. THK. F.B. SOLLING
150mm. THK. SAND FILLING



FOUNDATION PLAN OF COLUMN