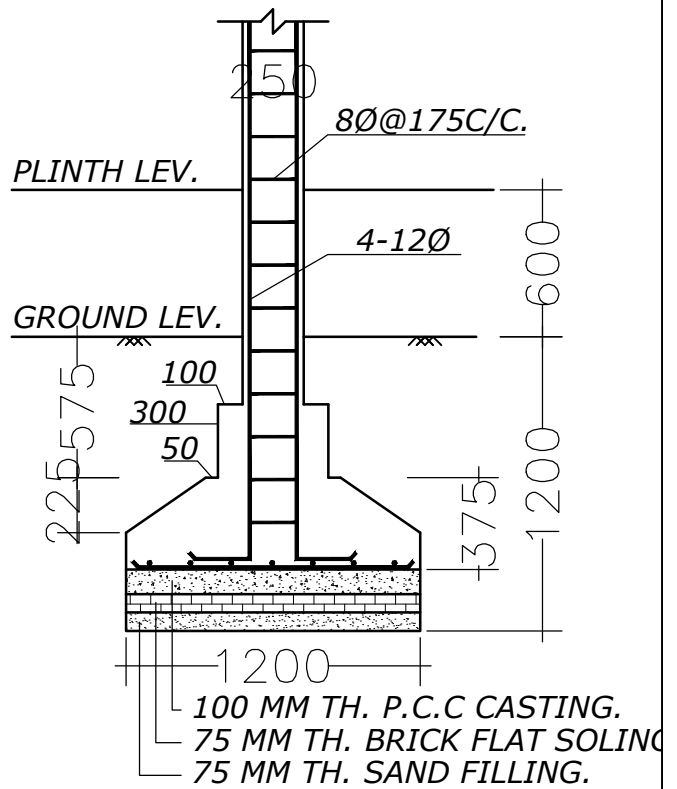
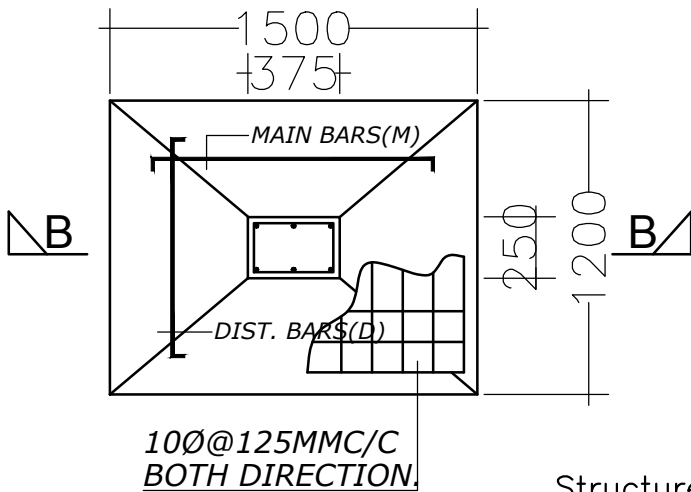


**SECTION:-(B-B)**

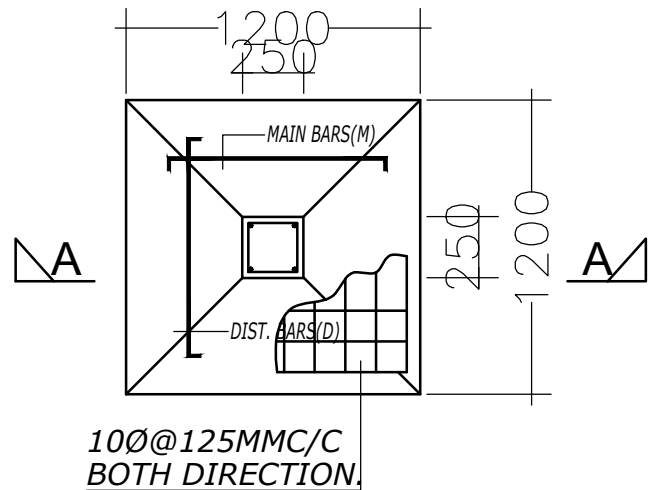


**SECTION:-(A-A)**



Structure Detail

**FOUNDATION PLAN  
OF CLOUMN**



**FOUNDATION PLAN  
OF CLOUMN**