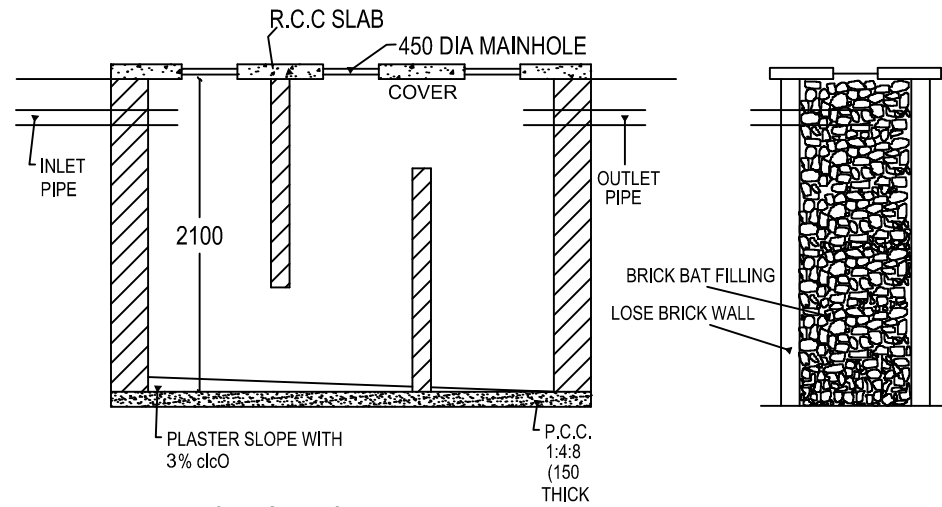
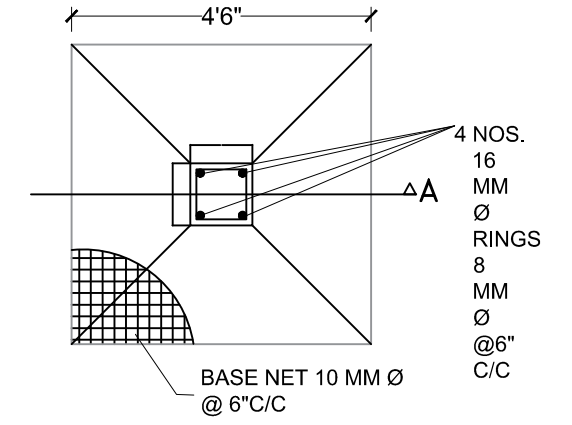


**DETAIL OF GROUND WATER RECHARGING PIT WITH SLIT TANK**

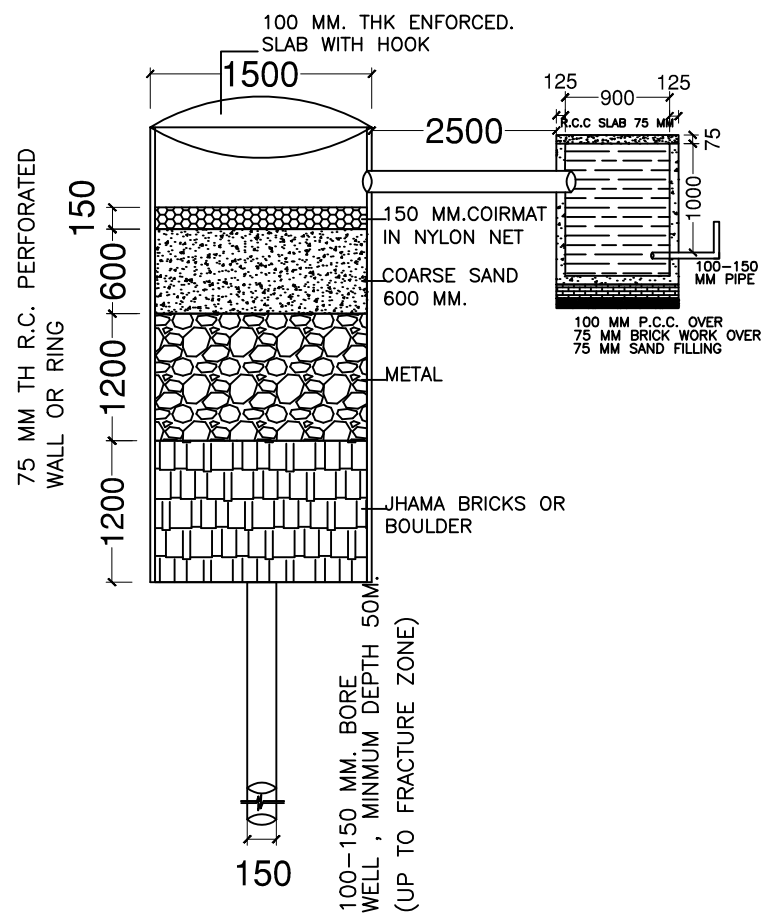


**SECTION N.-N.**

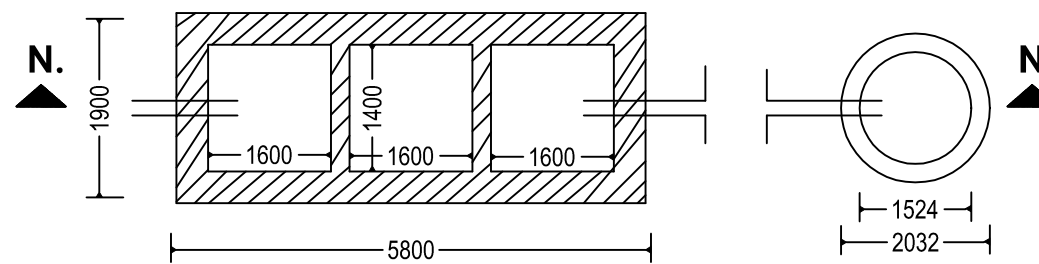


**PLAN OF COLUMN FOUNDATION**

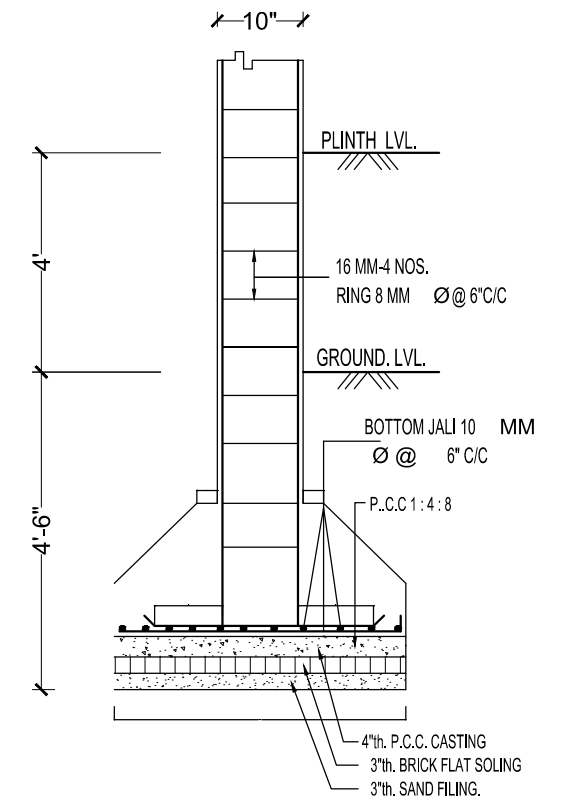
SCALE= 1:50



**SECTION AT A-A (SCALE 1:50)**



**DETAIL OF SEPTIC TANK & SOAKPIT.**



**SECTION ON A-A**

SCALE= 1:50