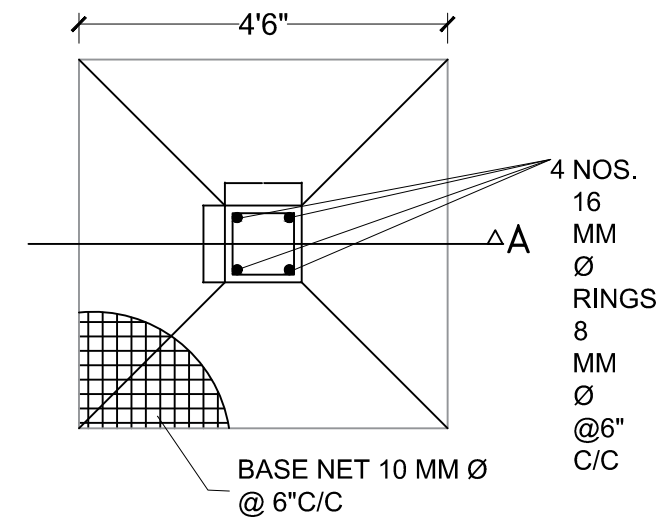
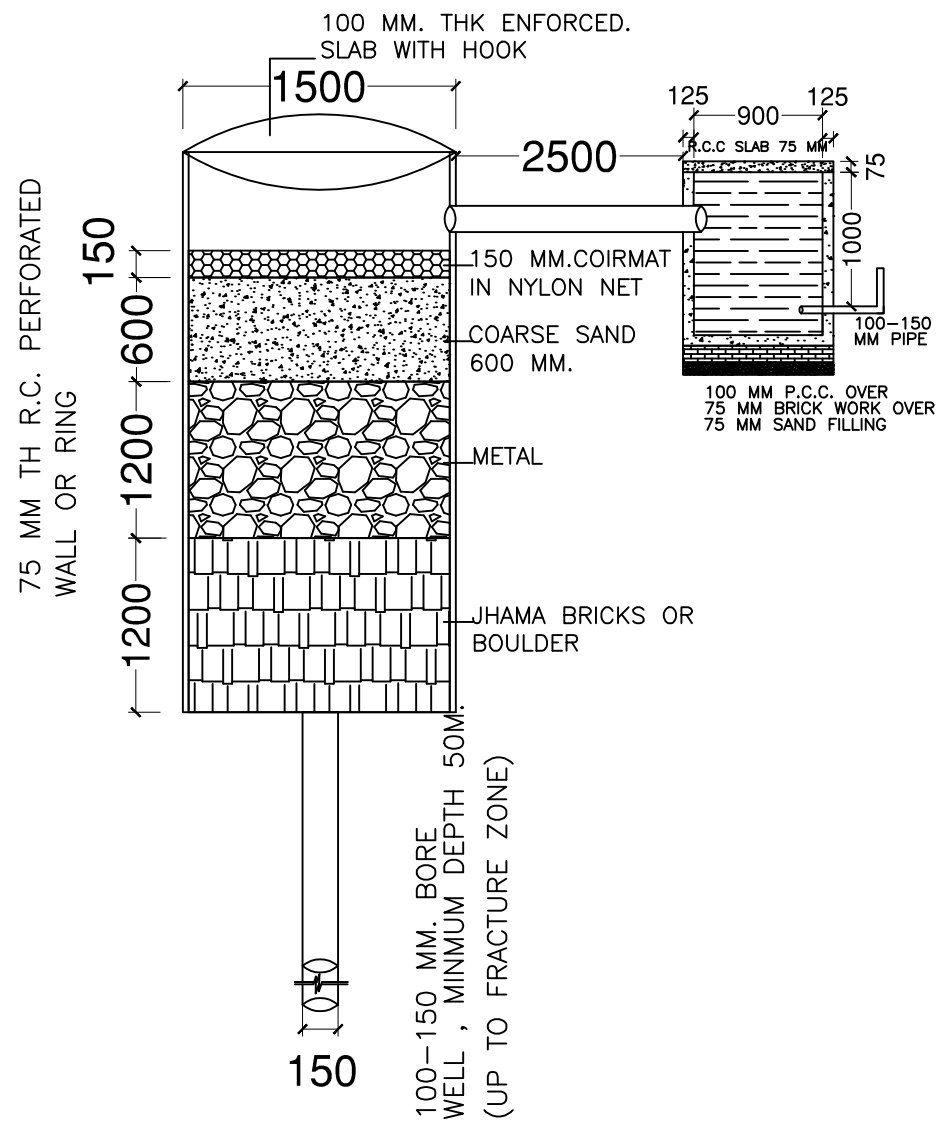


**DETAIL OF GROUND WATER
RECHAREGING PIT WITH SLIT TANK**

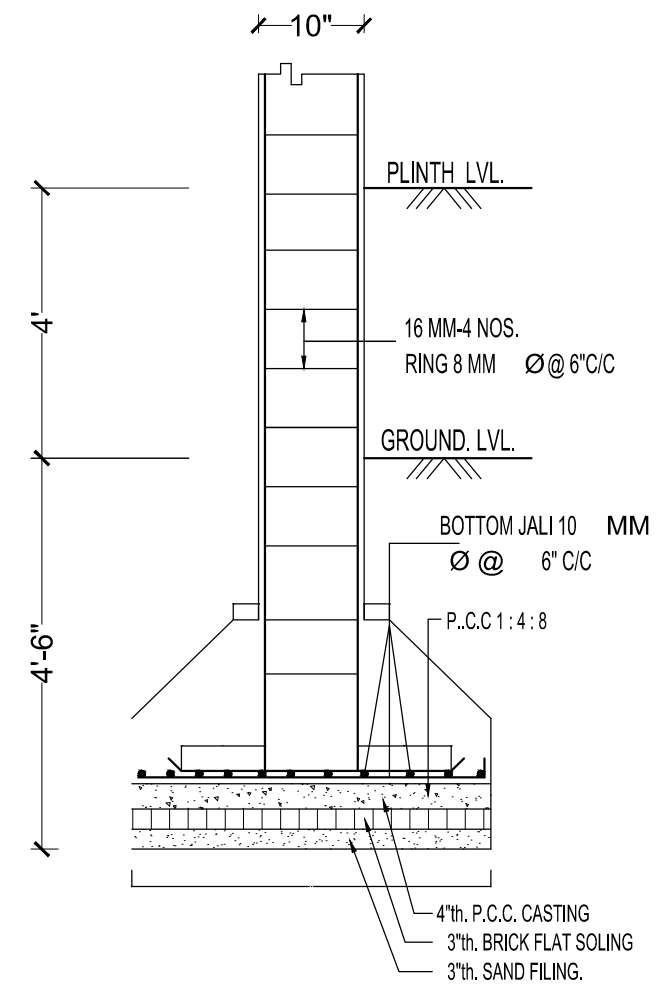


PLAN OF COLUMN FOUNDATION

SCALE= 1:50



SECTION AT A-A (SCALE 1:50)



SECTION ON A-A

SCALE= 1:50

R.C.C SLAB
Ø 5'0" DIA MAINHOLE

