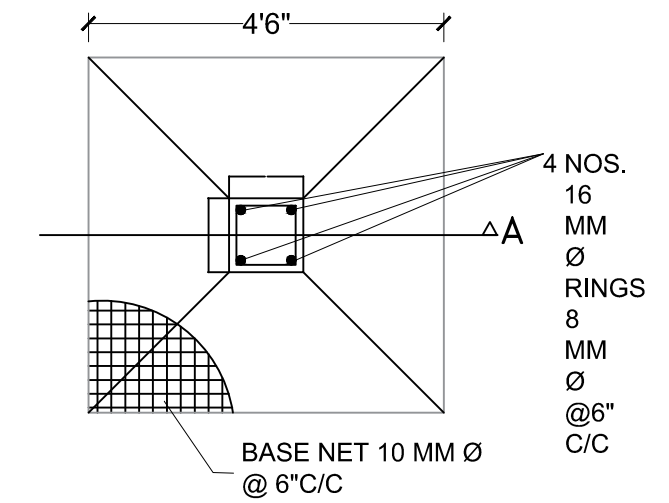
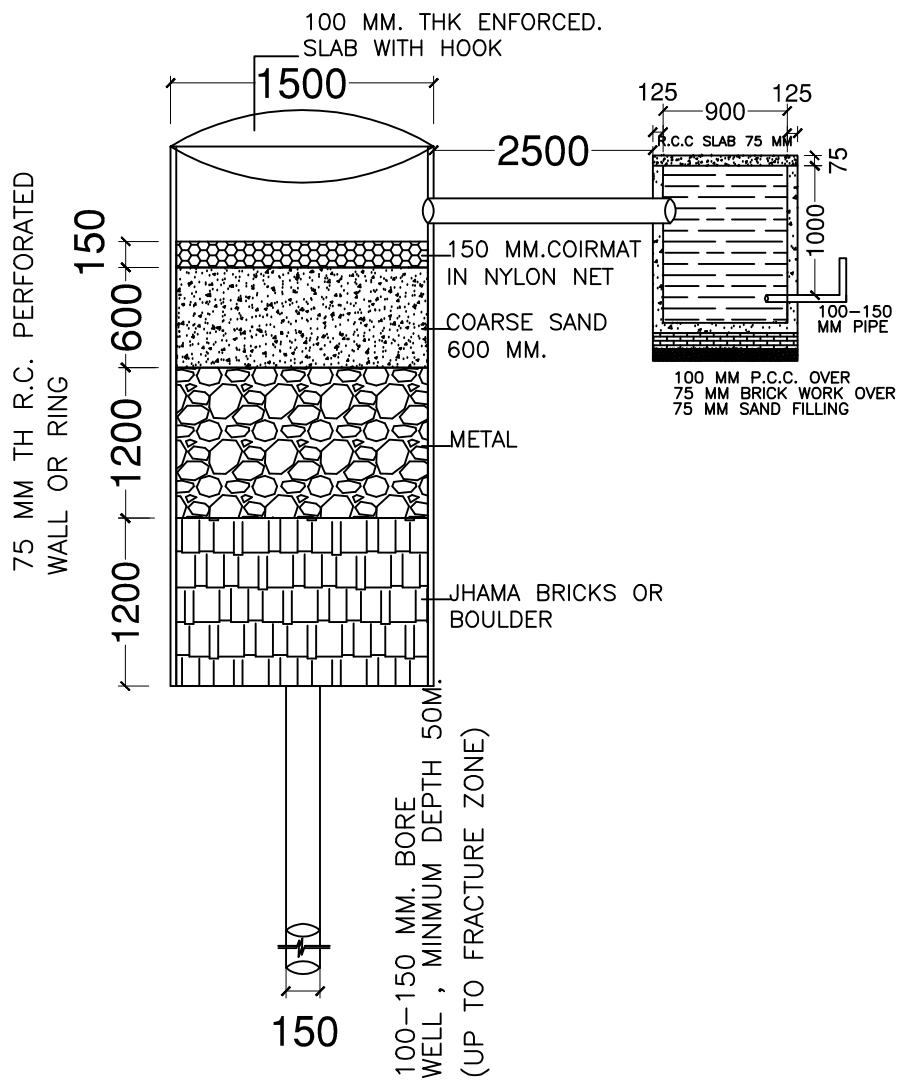


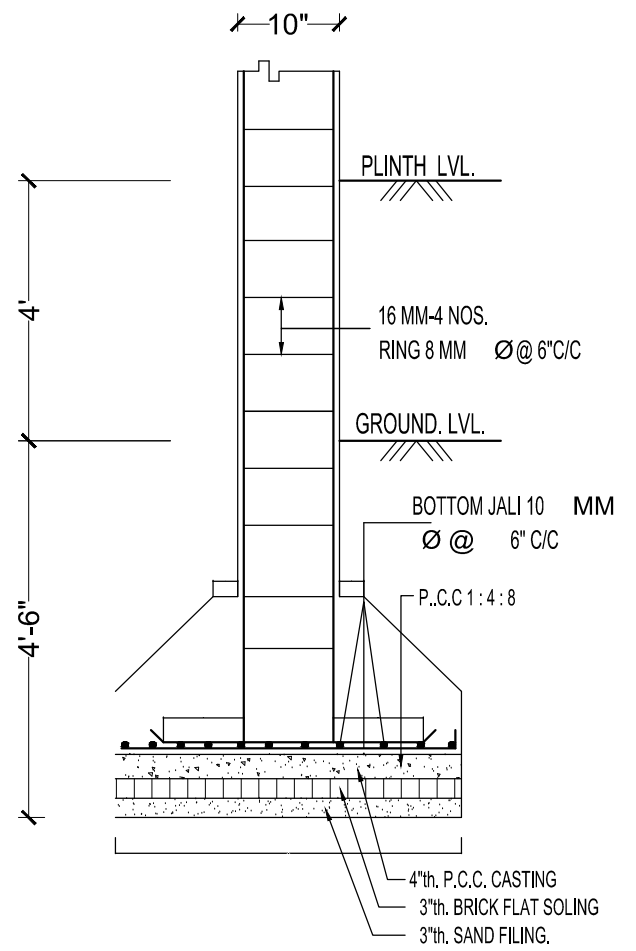
DETAIL OF GROUND WATER RECHARGING PIT WITH SLIT TANK



PLAN OF COLUMN FOUNDATION
SCALE= 1:50



SECTION AT A-A (SCALE 1:50)



SECTION ON A-A
SCALE= 1:50