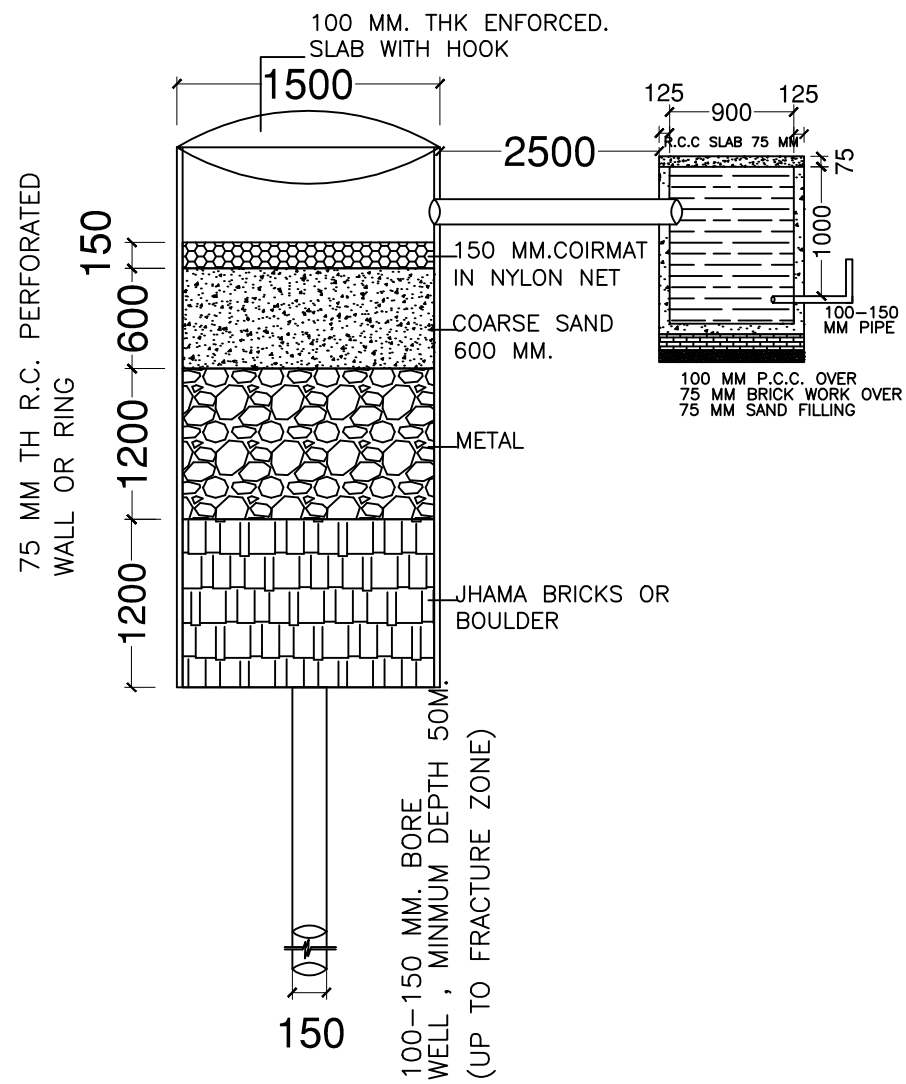
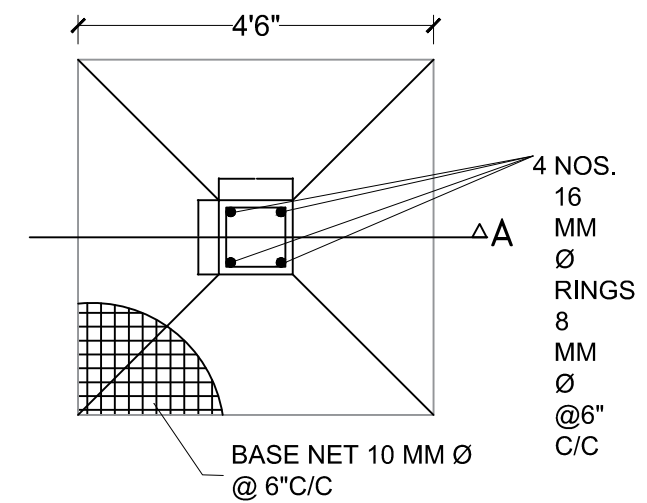


**DETAIL OF GROUND WATER
RECHAREGING PIT WITH SLIT TANK**

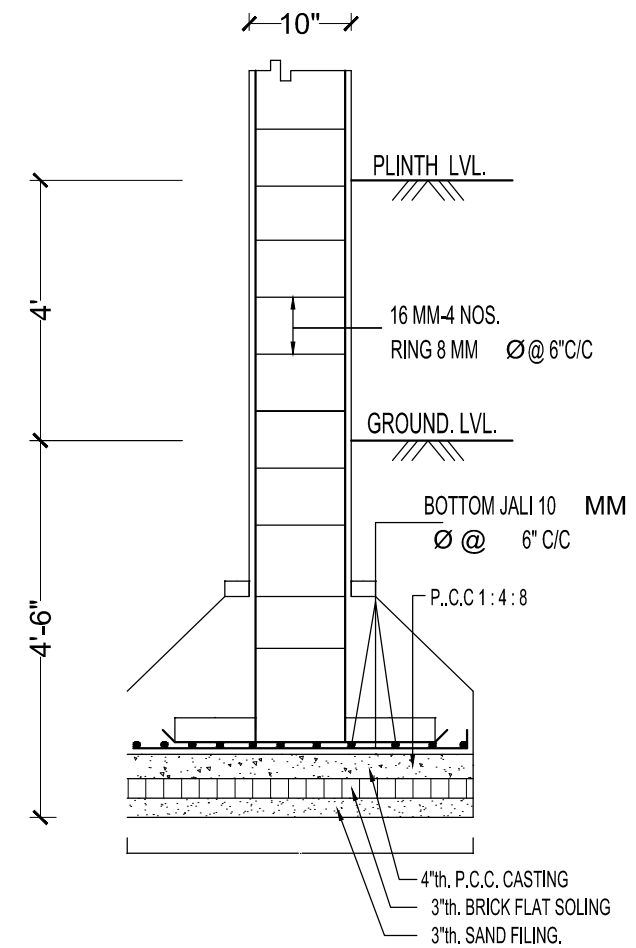


SECTION AT A-A (SCALE 1:50)



PLAN OF COLUMN FOUNDATION

SCALE= 1:50



SECTION ON A-A

SCALE= 1:50