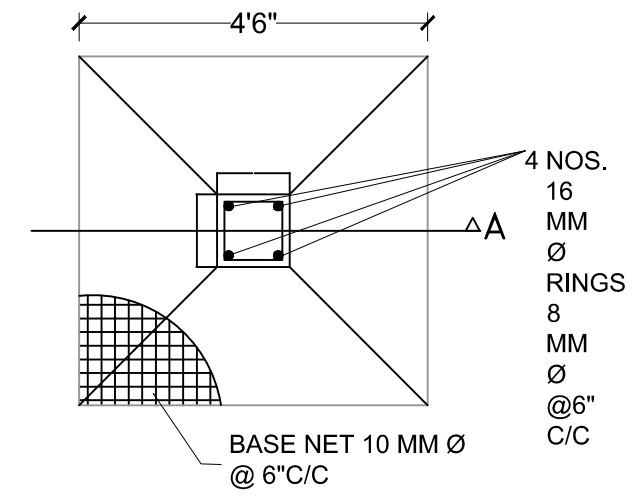
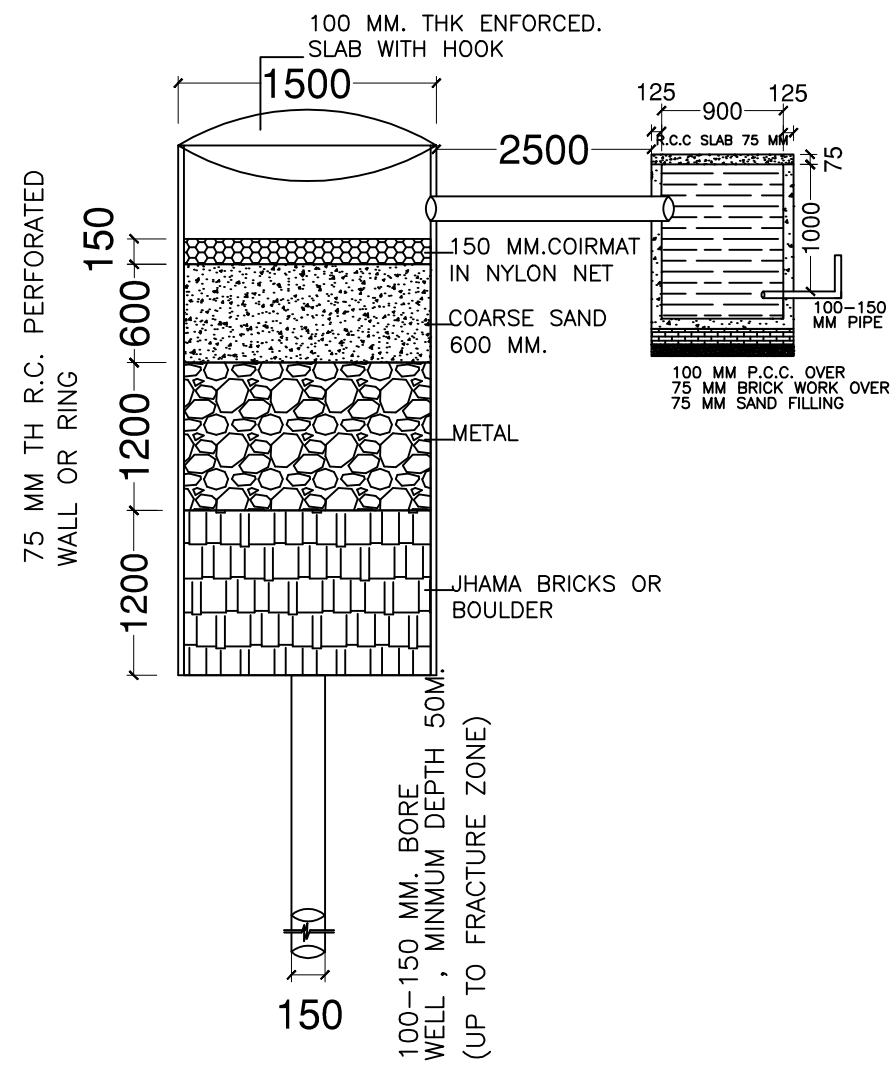


**DETAIL OF GROUND WATER RECHAREGING PIT WITH SLIT TANK**

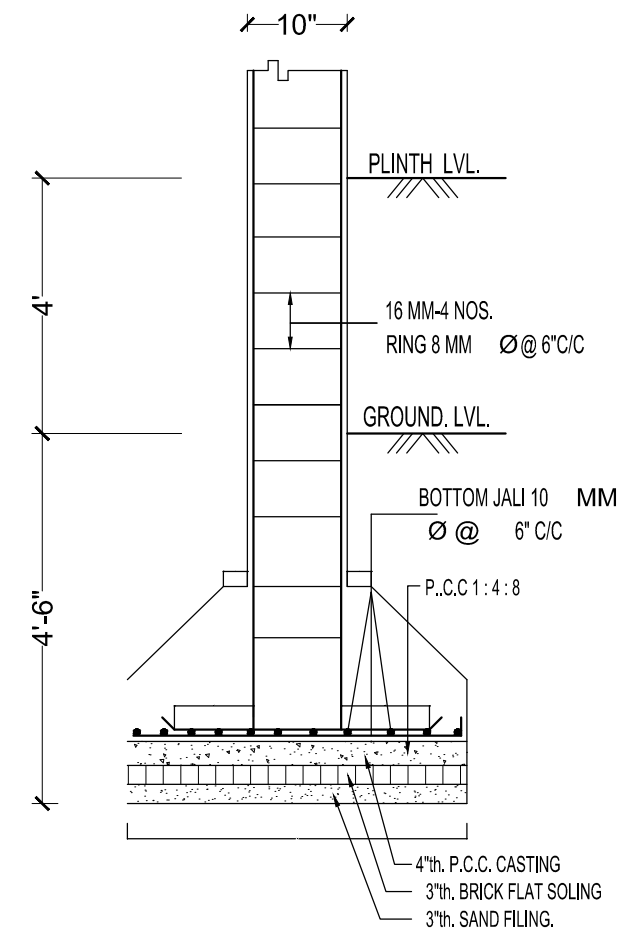


**PLAN OF COLUMN FOUNDATION**

SCALE= 1:50



**SECTION AT A-A (SCALE 1:50)**



**SECTION ON A-A**

SCALE= 1:50