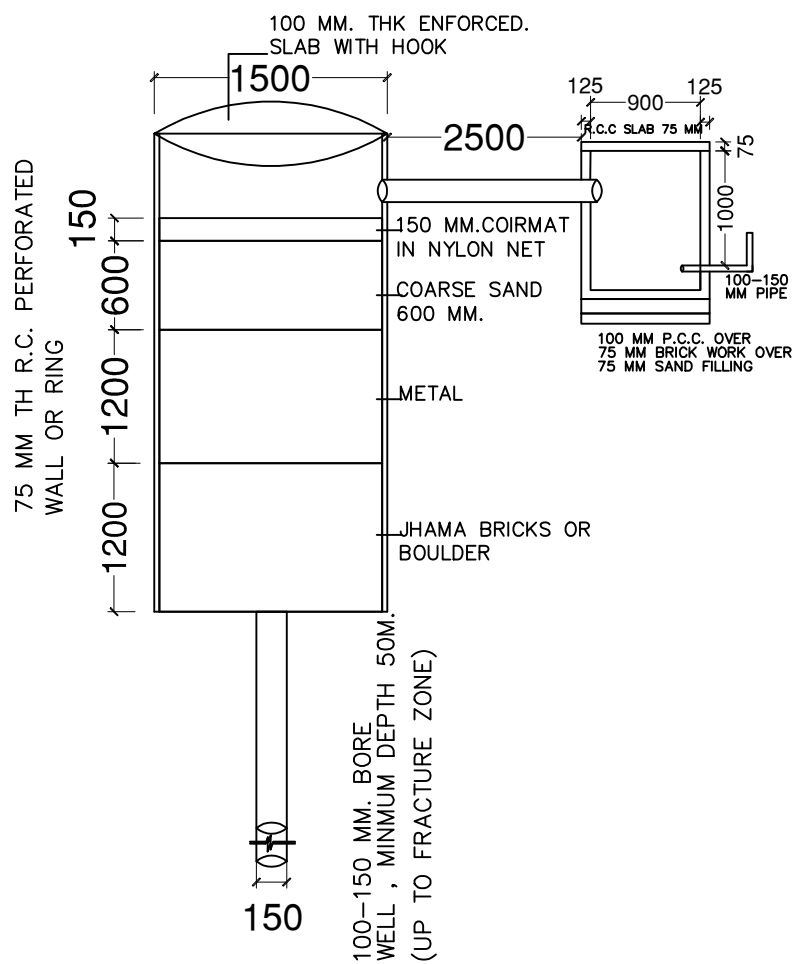
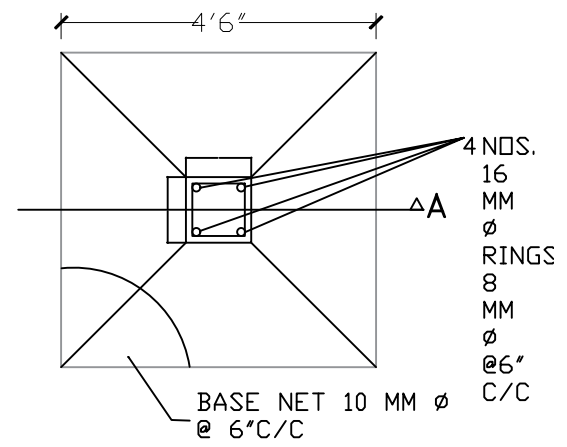


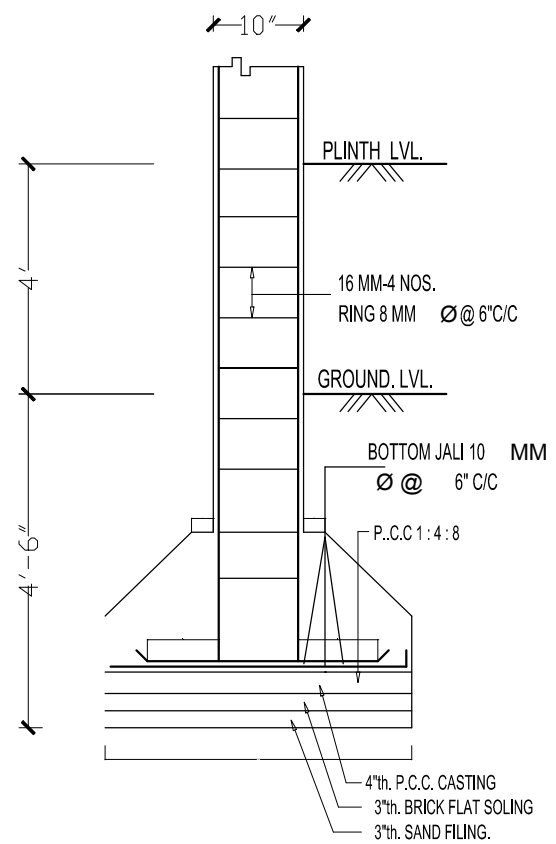
DETAIL OF GROUND WATER RECHARGING PIT WITH SLIT TANK



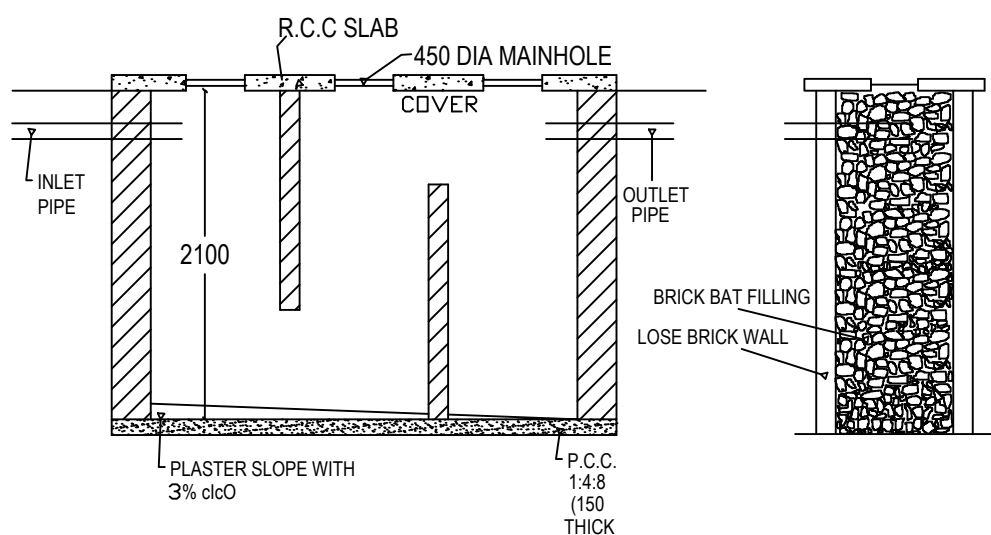
Rain Water Storage Tank Detail
SECTION AT A-A (SCALE 1:50)



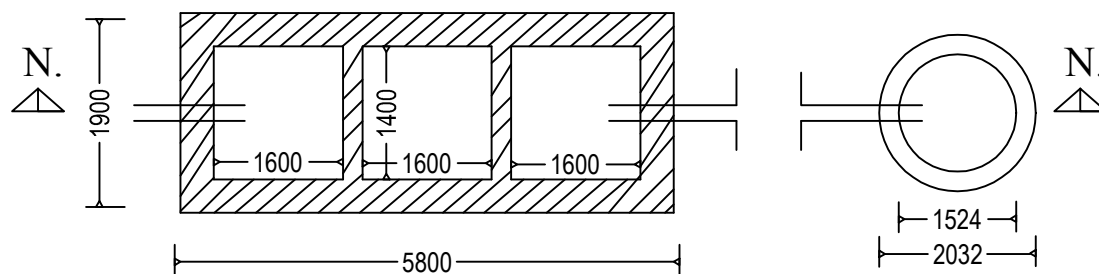
PLAN OF COLUMN FOUNDATION
SCALE= 1:50



Structure Detail
SECTION ON A-A
SCALE= 1:50



SECTION N.-N.



DETAIL OF SEPTIC TANK & SOAKPIT.

Septic Tank Detail