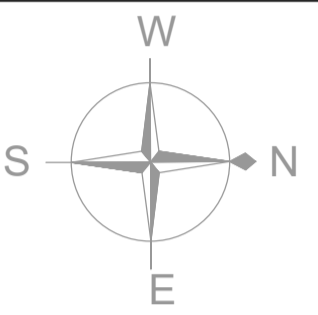
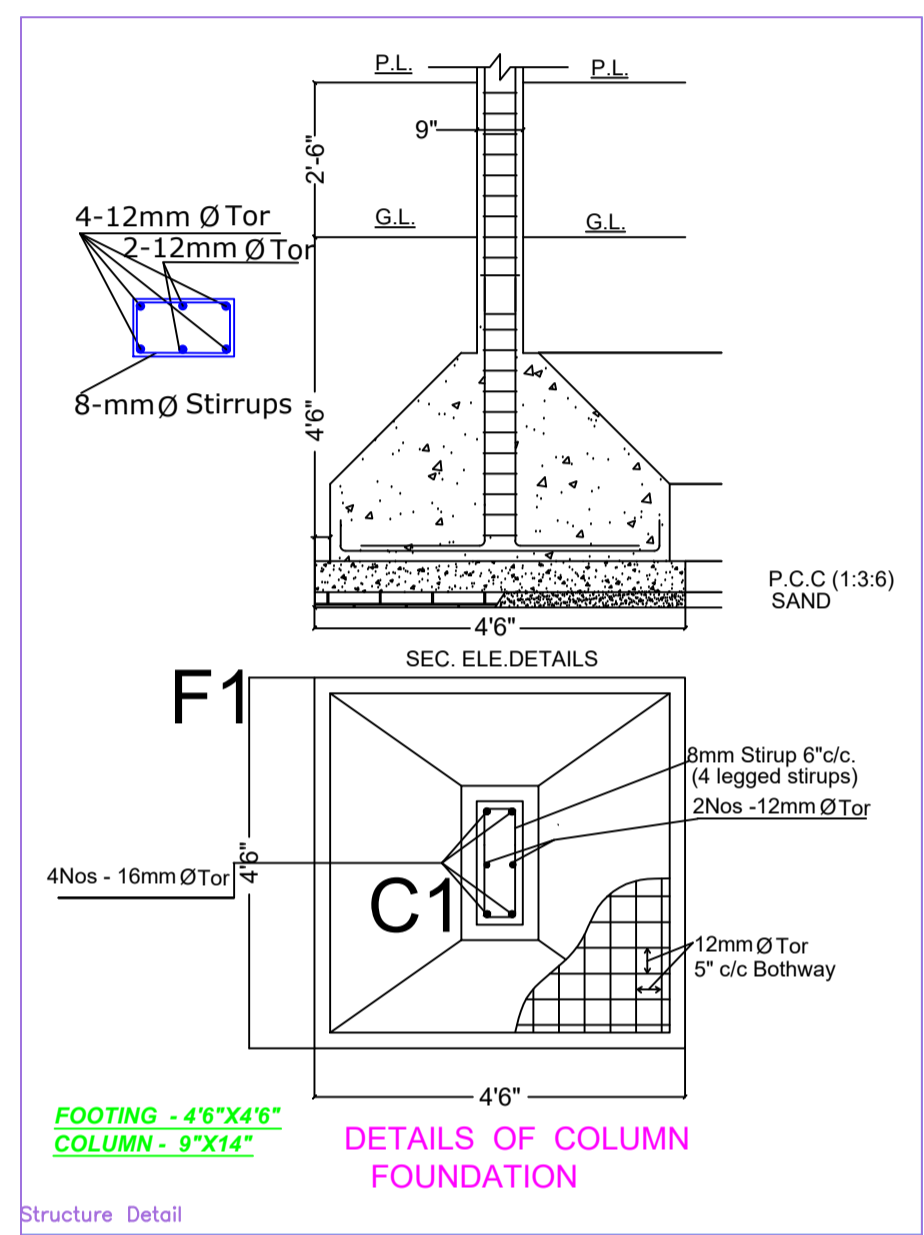
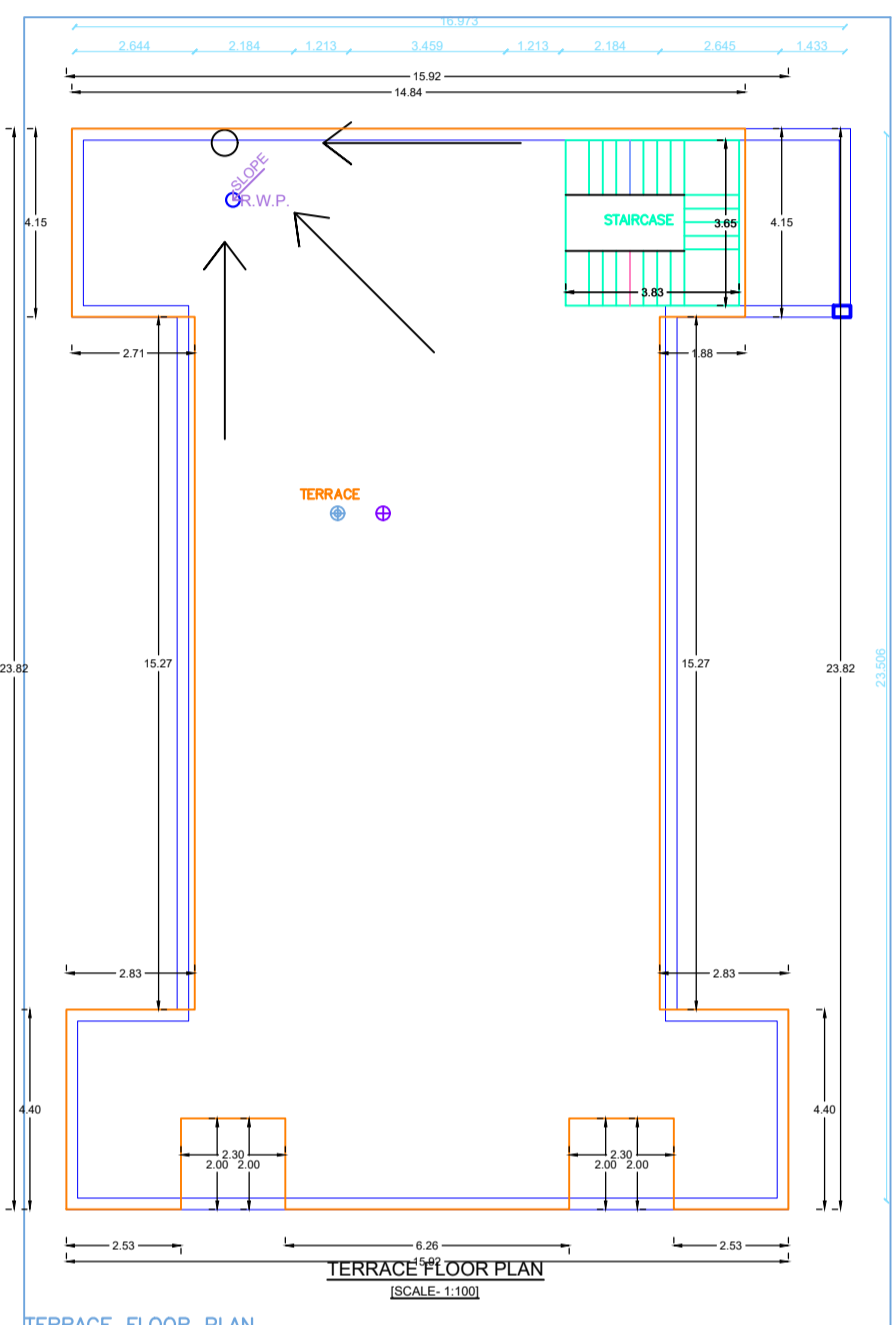
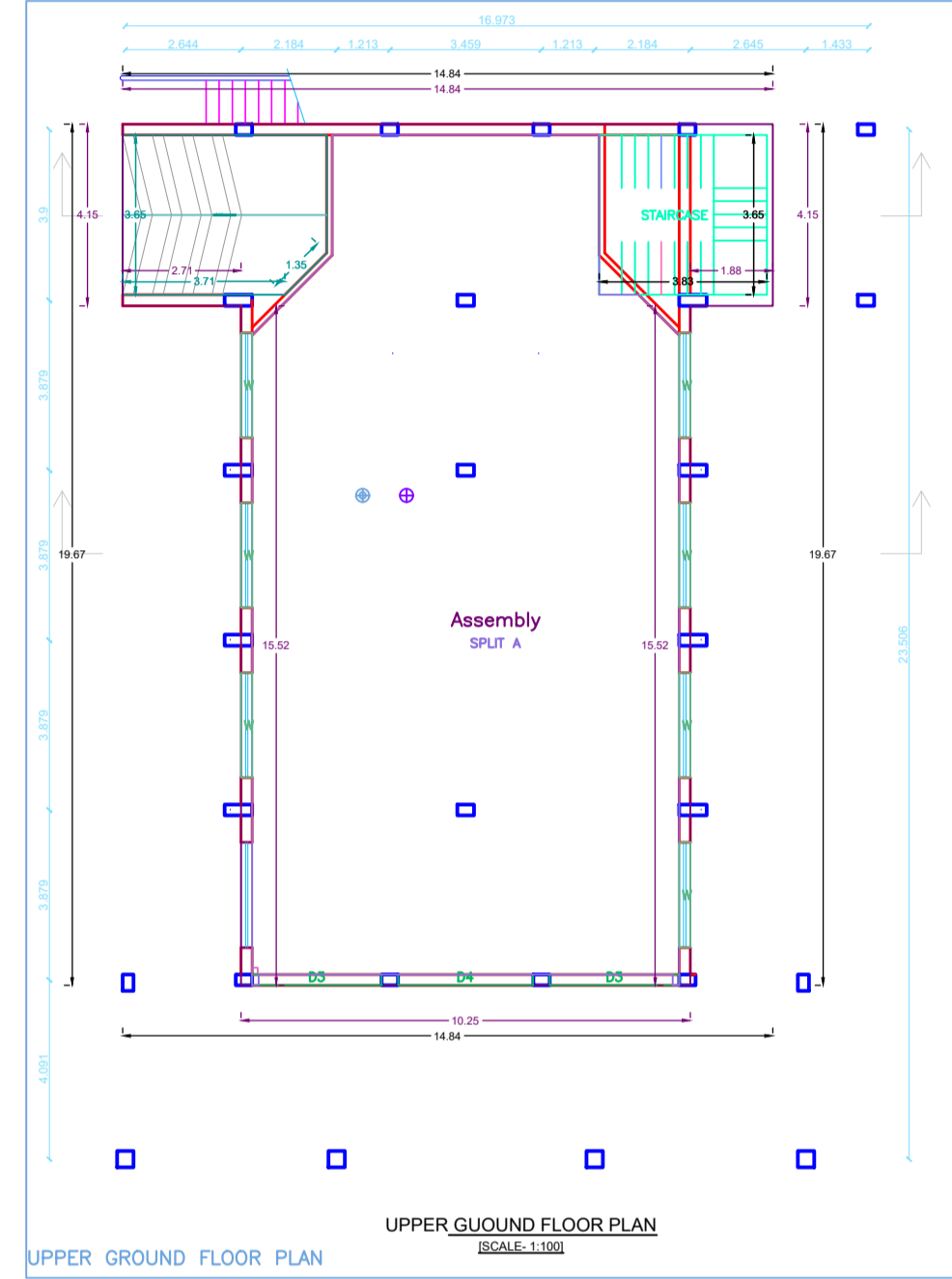
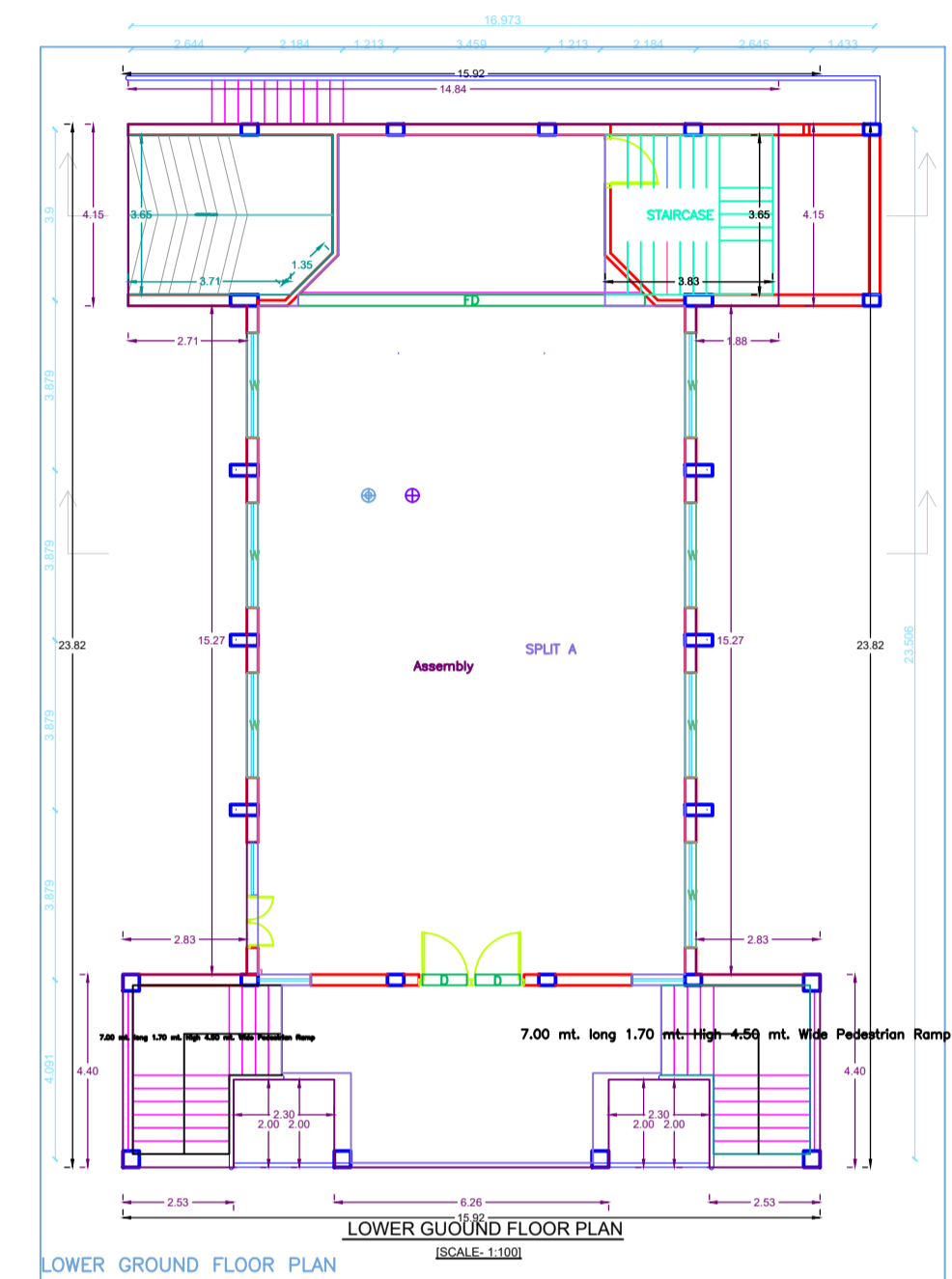


# Project Title : ST.URSLA HOSPITAL



### LOCATION PLAN (N.T.S.)

### SPECIFICATIONS

- 1) FOUNDATION- 150MM THICK P.C.C OVER BRICK SOLING OVER 75MM THICK SAND FILLING
- 2) BRICK WORK- BRICK WORK IN CEMENT MORTAR WITH FIRST CLASS BRICK
- 3) LINTEL- 150MM THICK R.C.C LINTEL
- 4) ROOFING- 50MM THICK LIME TERRACING OVER 100MM THICK R.C.C ROOF SLAB
- 5) FLOORING- 25MM THICK MARBLE FLOOR OVER 100MM THICK DRY RAISED WORK
- 6) PLASTER- 12MM THICK CEMENT PLASTER ON INTERNAL WALLS AND 15MM THICK ON EXTERNAL WALLS. OF BUILDING. EXTERIOR GRADE PAINT ON EXTERIOR FINISH AND WASHABLE ACRYLIC DISTEMPER OVER PUTTY ON INTERIOR FINISH.

### AREA CALCULATION

TOTAL SITE AREA = 917Sq.m  
 BUILT UP AREA -  
 286.5 Sq.m - GROUND FLOOR  
 206.0 Sq.m - LOWER GROUND FLOOR  
 492.50 Sq.m - TOTAL BUILT-UP AREA  
 GROUND COVERAGE  
 286.5 X 100 = 917  
 F.A.R. = 492.5 = 0.53  
 917

PROPOSED CHAPPEL  
 AT COLLEGE ROAD, LOHARDAGA  
 JHARKHAND

FOR :  
 ST.URSLA HOSPITAL  
 MS PLOT NO. 639  
 KHATA NO.-  
 THANA NO.- 194

### DRAWING NAME : SUBMISSION DRAWING

SHEET NO. 1	SHEET SIZE A1	ARCHITECT: ASHISH DEEP TOPPO 7992304518
ALL DIMENSIONS IN M		SCALE - AS MENTIONED

