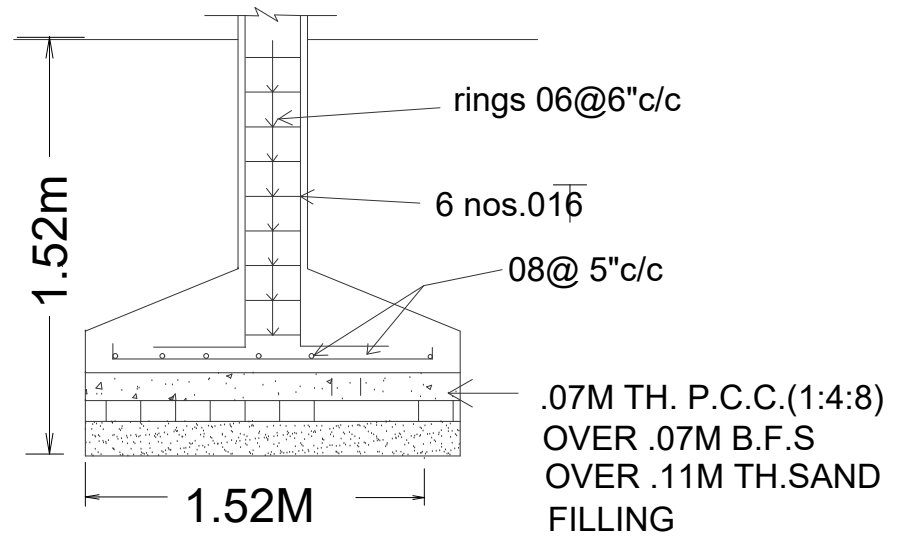


DETAIL OF COLUMN FOUNDATION
SCALE -1:50



SECTION AT P-P
SCALE -1:50