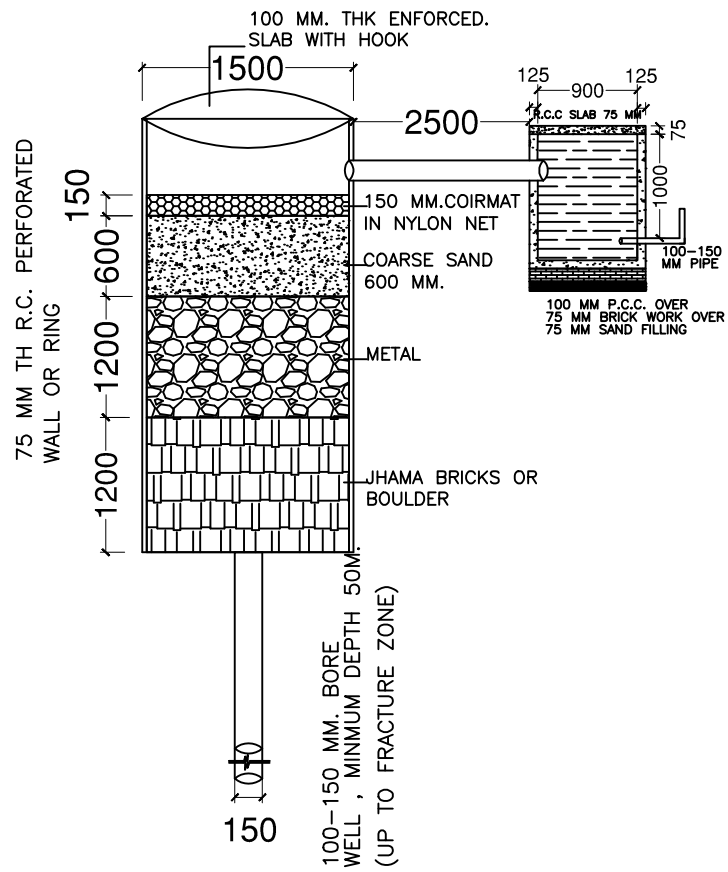
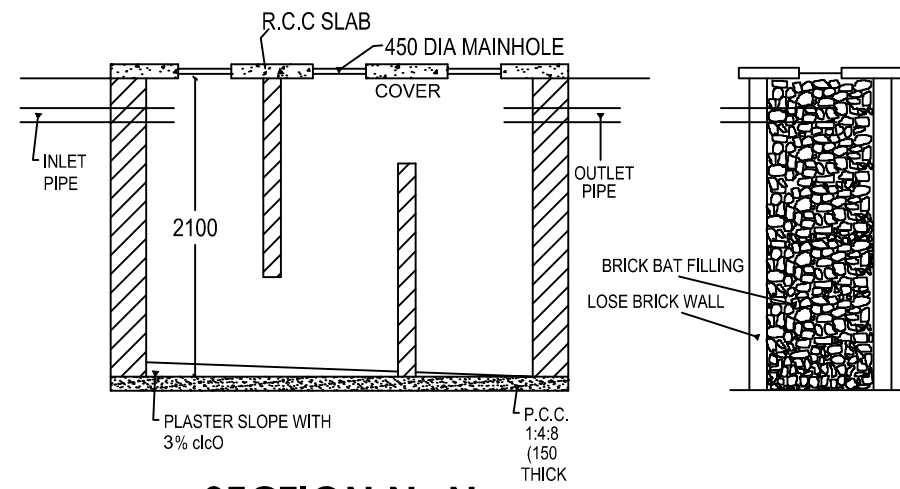


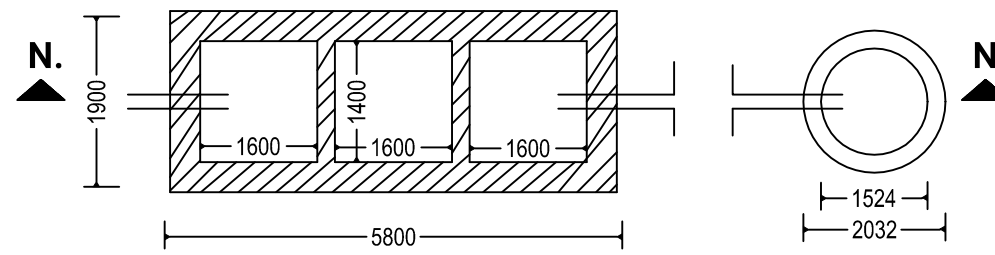
DETAIL OF GROUND WATER RECHARGING PIT WITH SLIT TANK



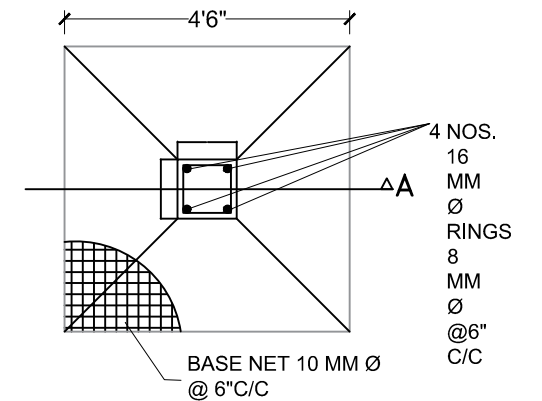
SECTION AT A-A (SCALE 1:50)



SECTION N.-N.

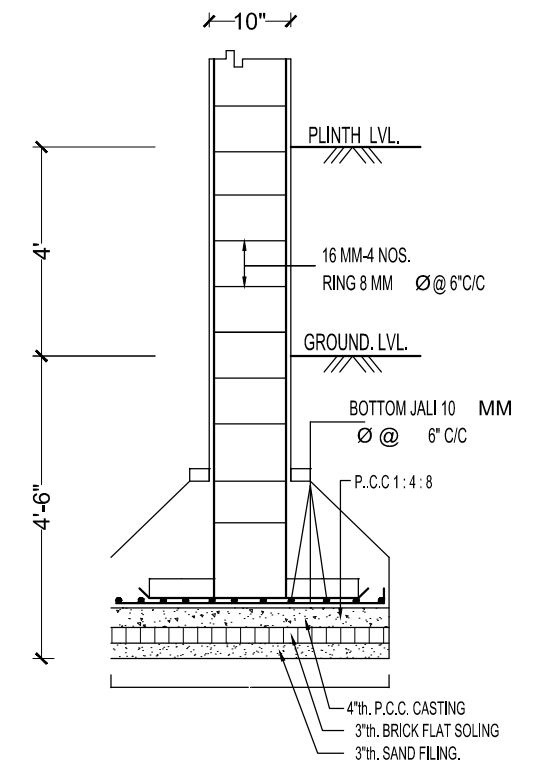


DETAIL OF SEPTIC TANK & SOAKPIT.



PLAN OF COLUMN FOUNDATION

SCALE = 1:50



SECTION ON A-A

SCALE = 1:50

