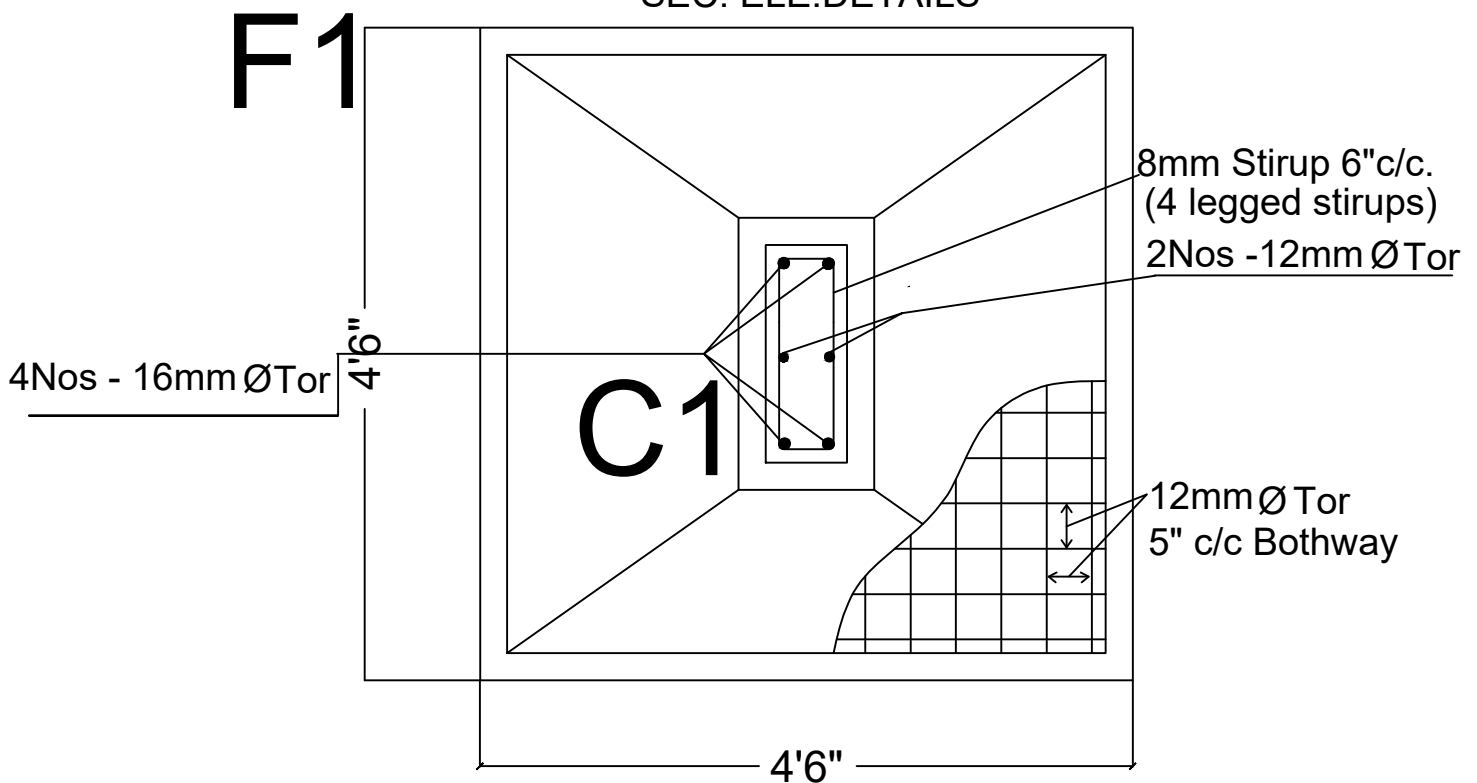


SEC. ELE.DETAILS



FOOTING - 4'6"X4'6"
COLUMN - 9"X14"

**DETAILS OF COLUMN
FOUNDATION**