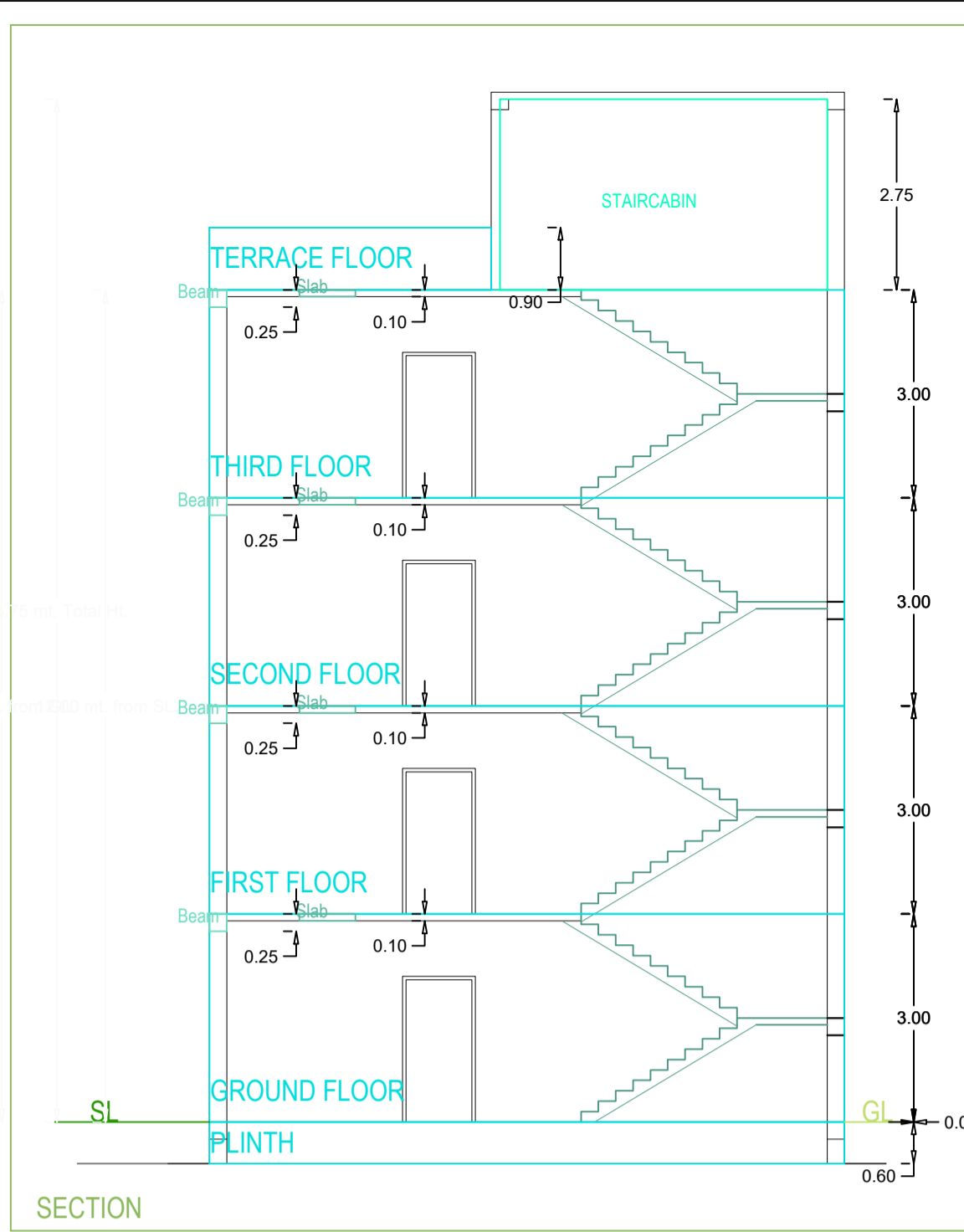


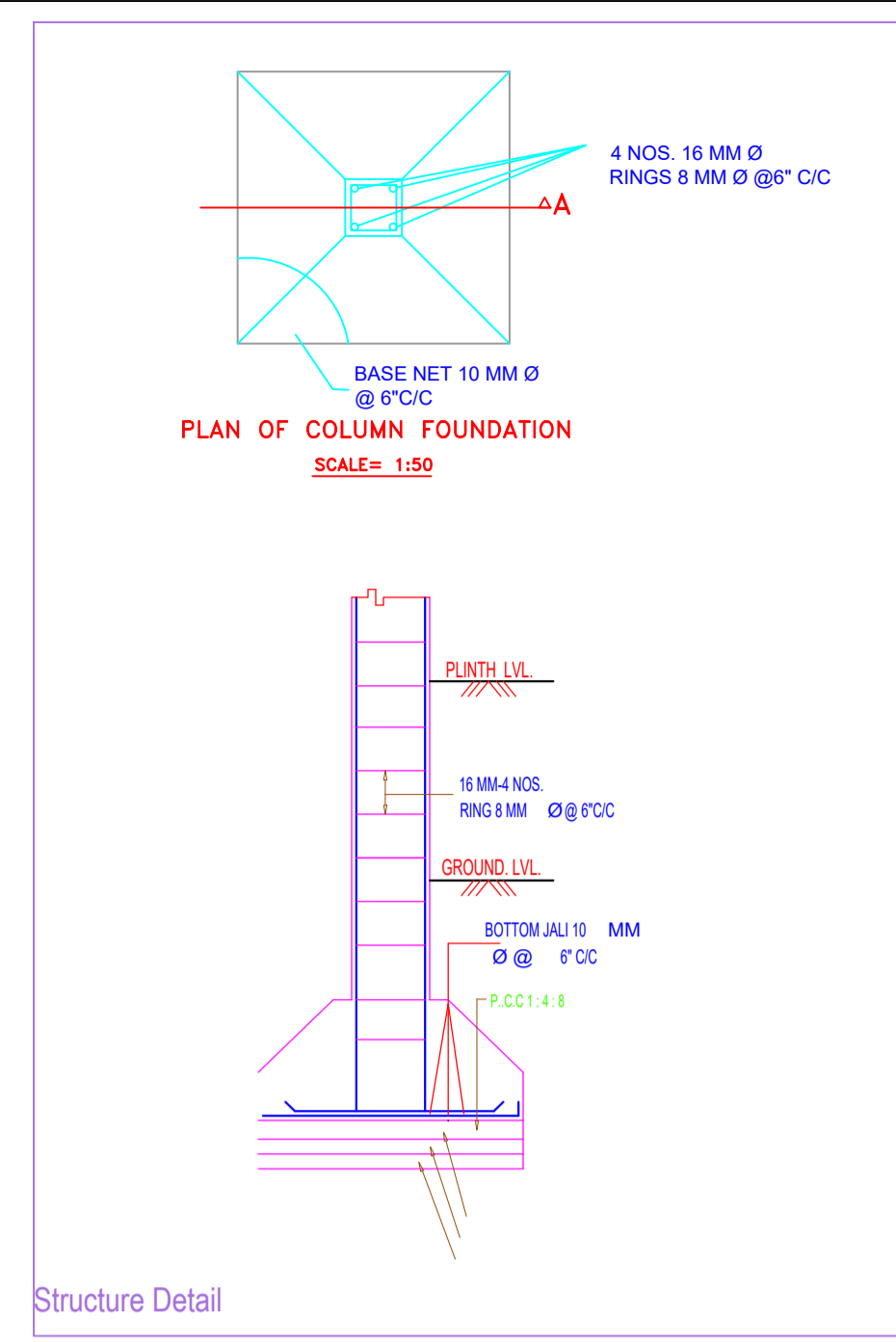
Elevation 1 Detail



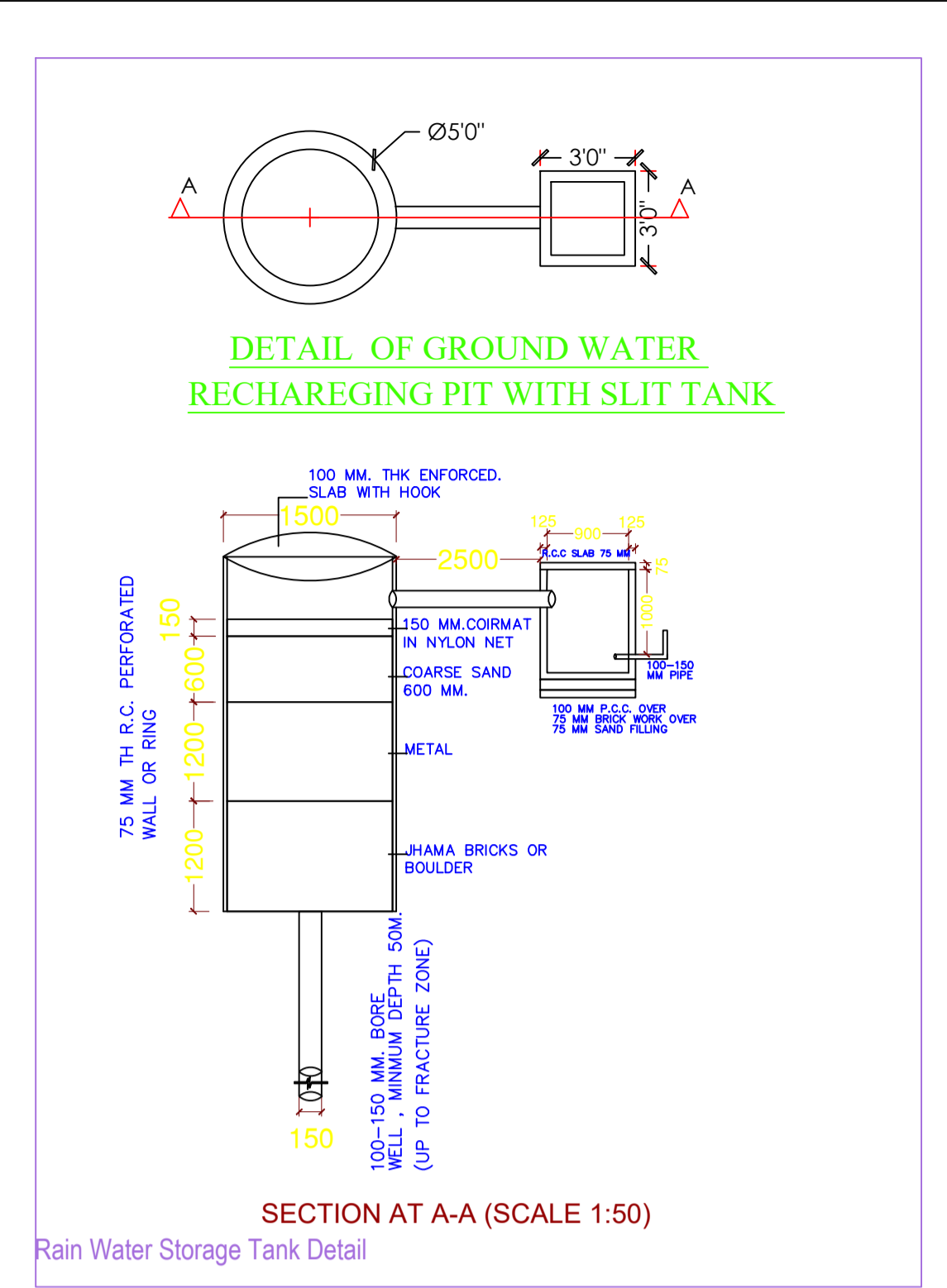
Elevation 2 Detail



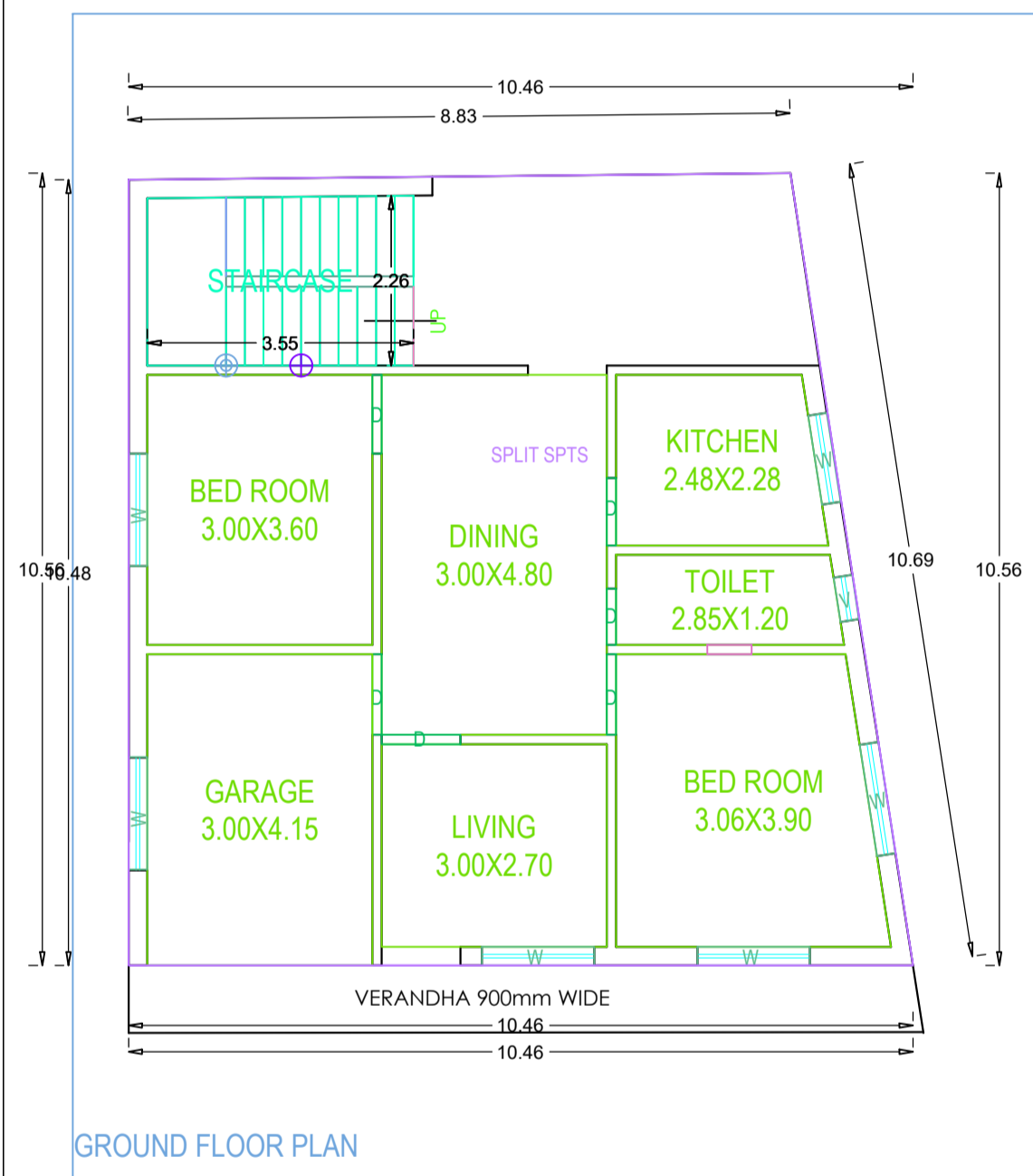
SECTION



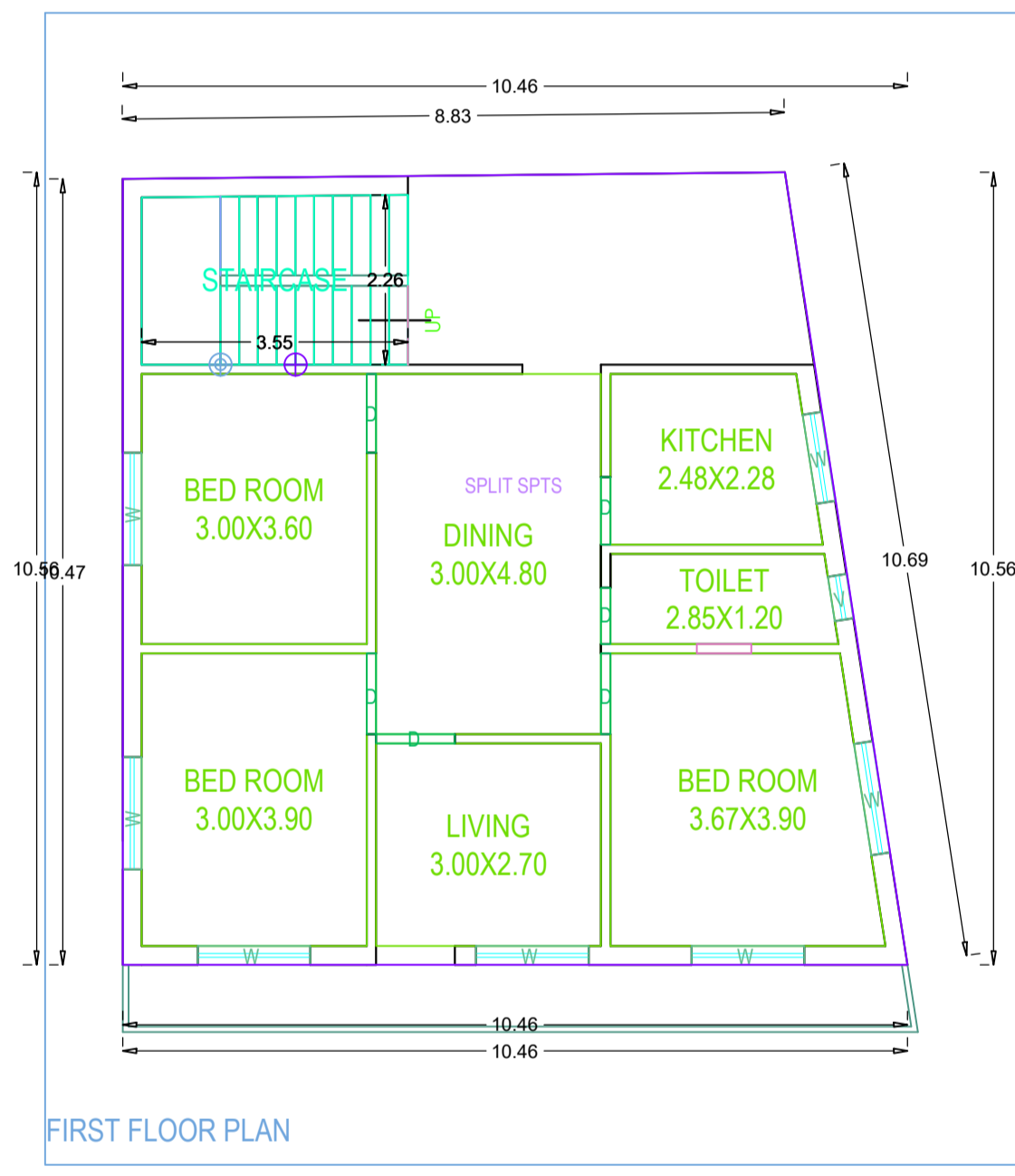
Structure Detail



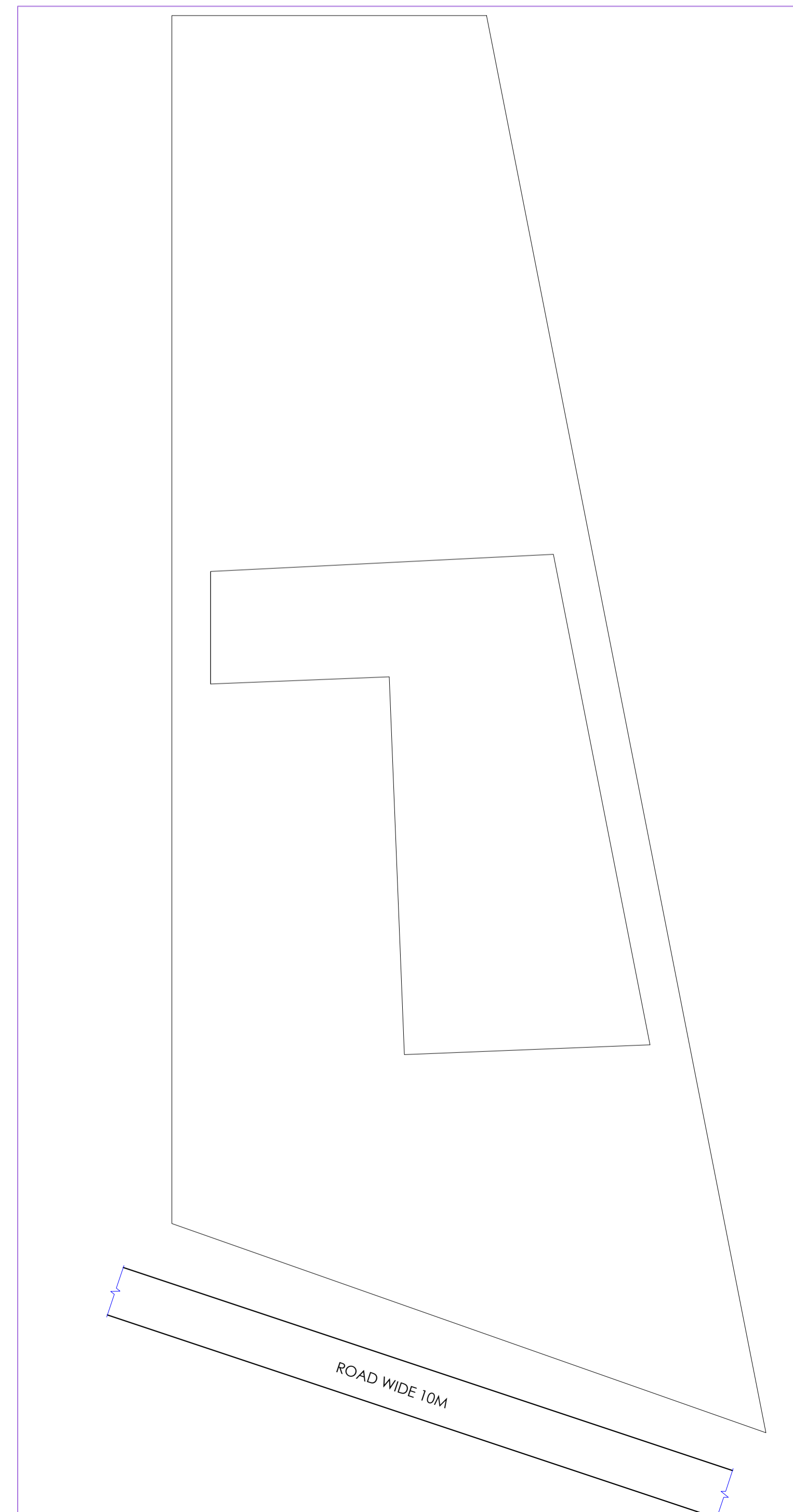
Rain Water Storage Tank Detail



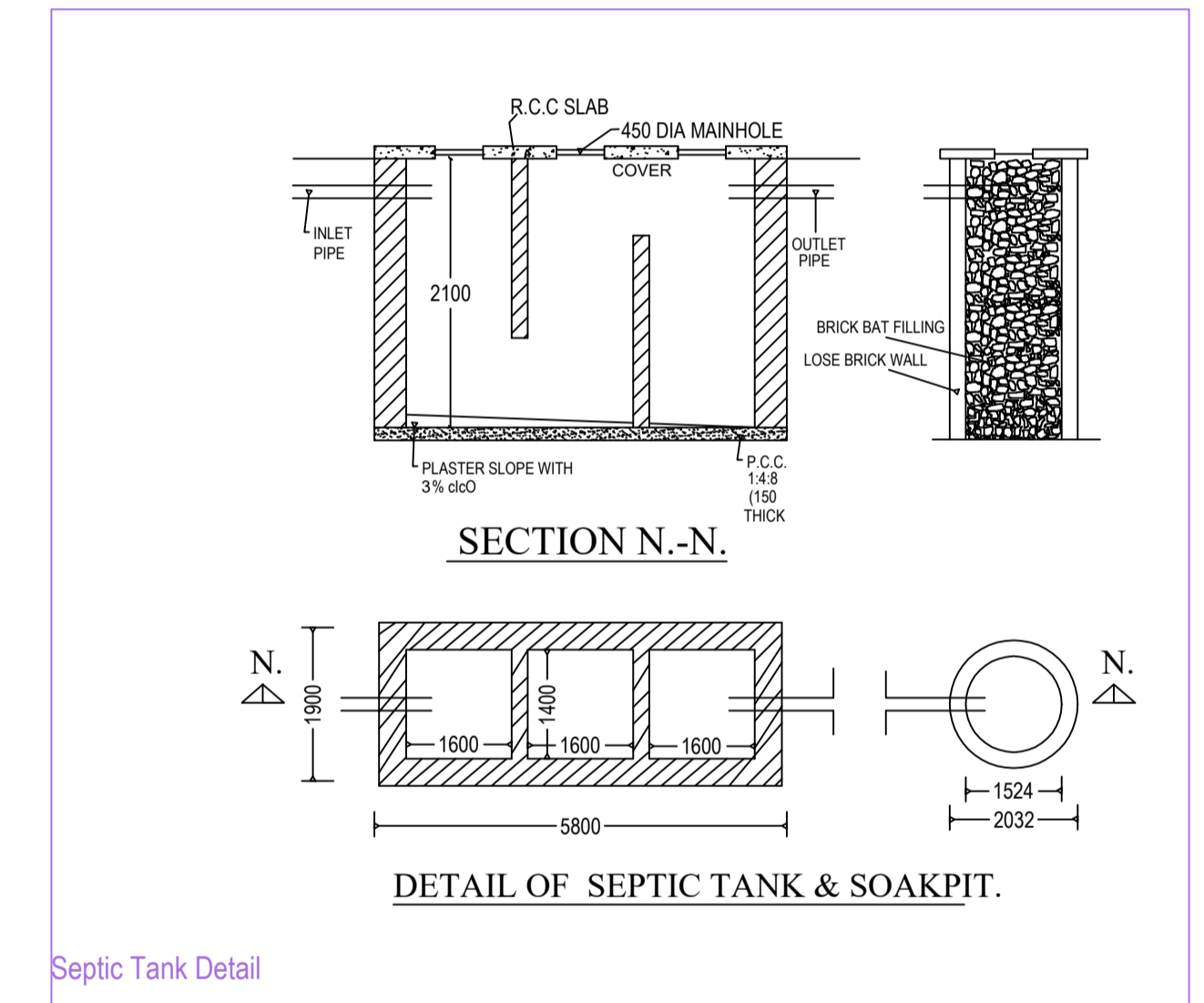
GROUND FLOOR PLAN



FIRST FLOOR PLAN

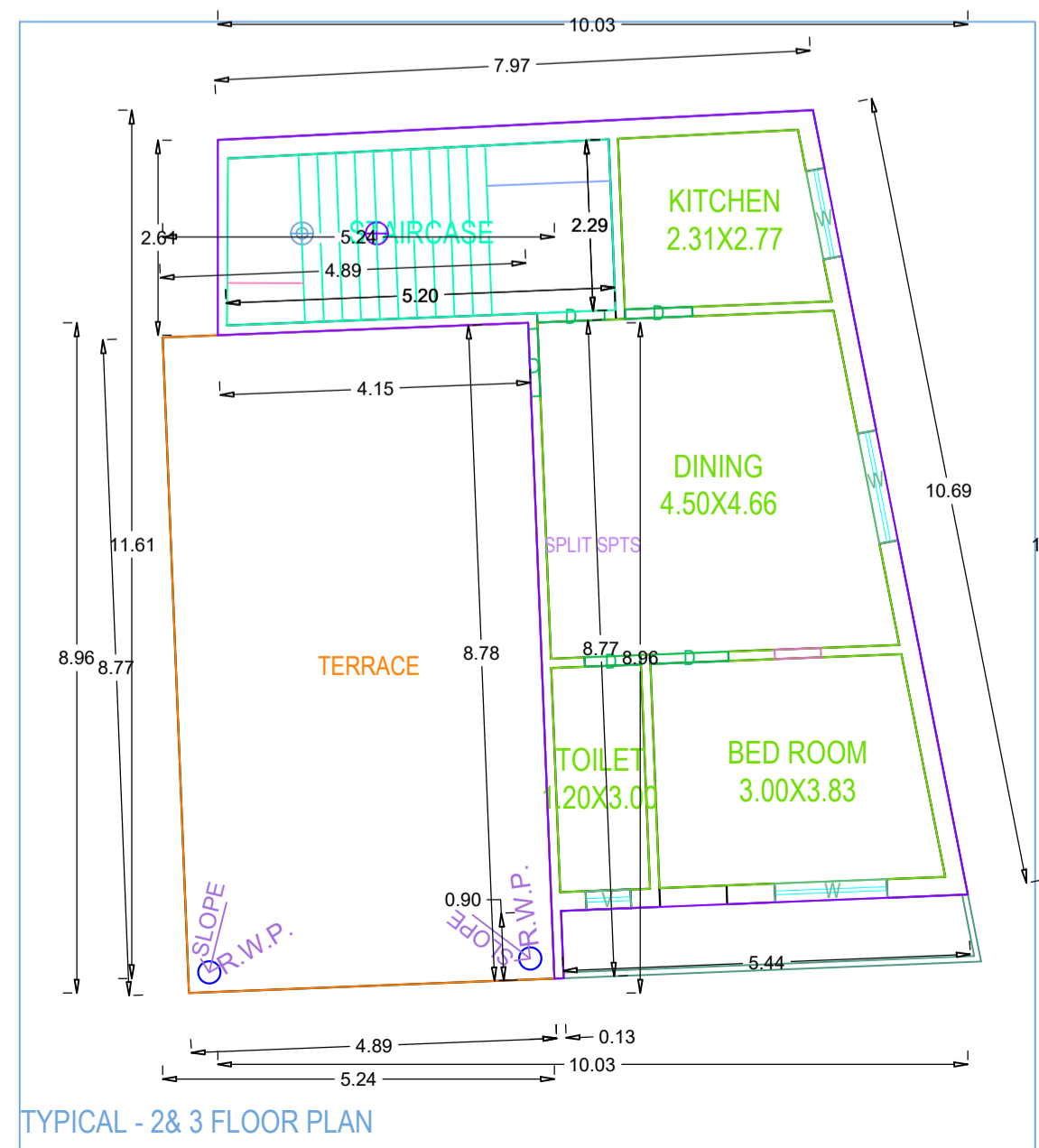


Key Plan

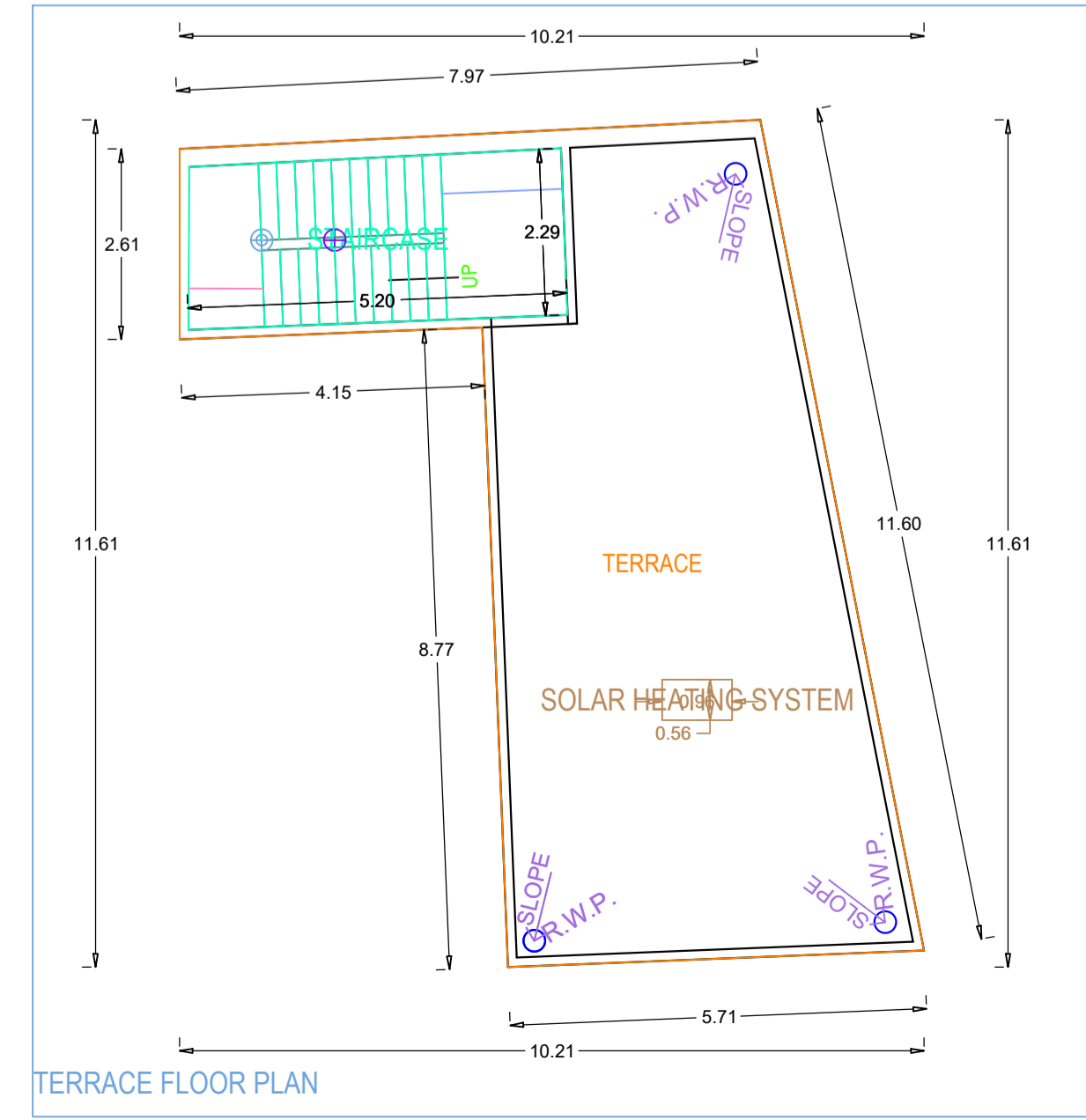


Septic Tank Detail

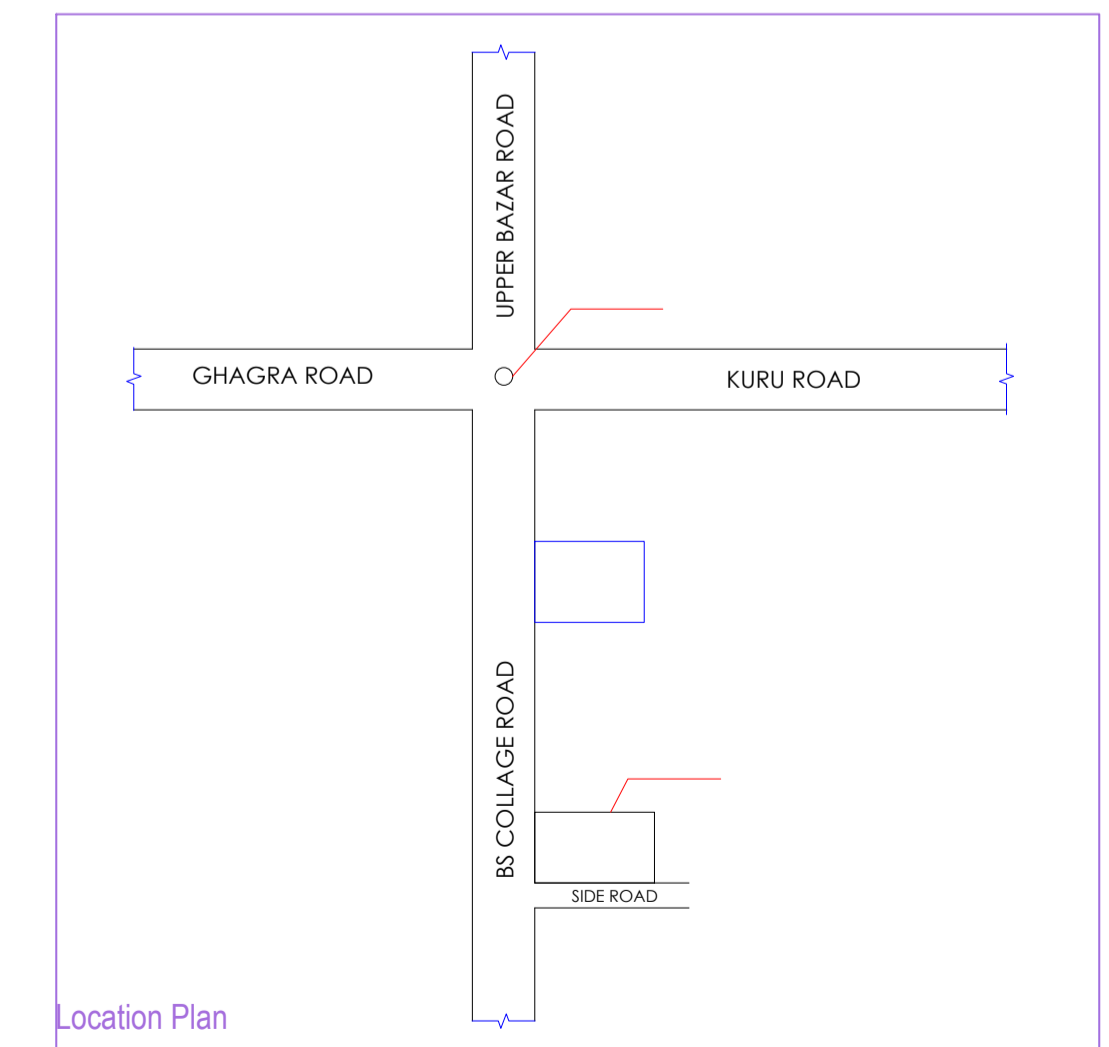
EXISTING APPROVED DATE (05-01-2013)
GROUND FLOOR PLAN
Scale - 1:100



TYPICAL - 2&3 FLOOR PLAN



TERRACE FLOOR PLAN



Location Plan