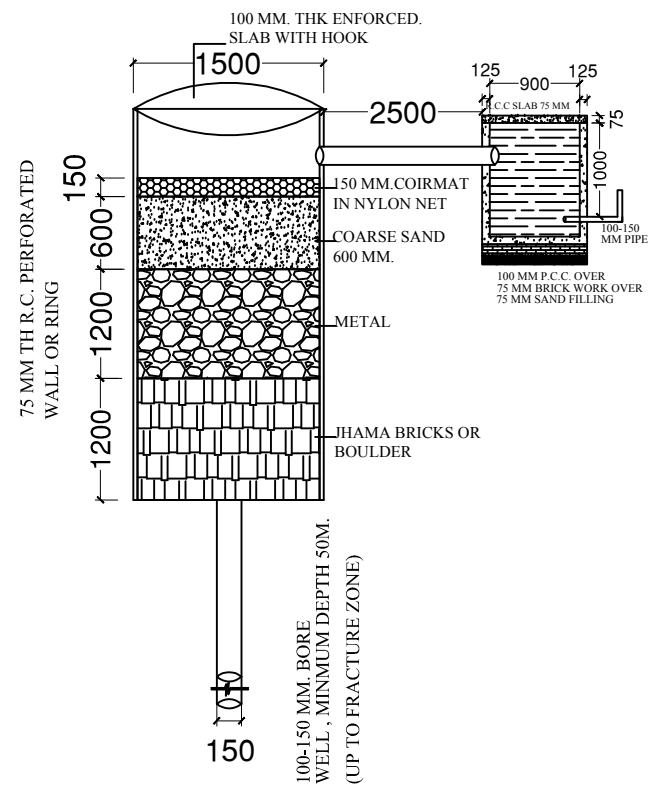
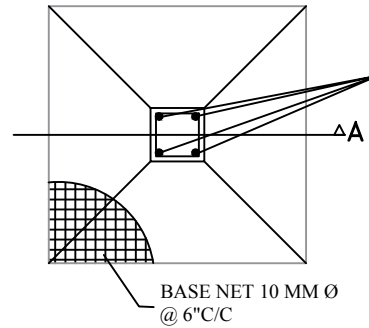


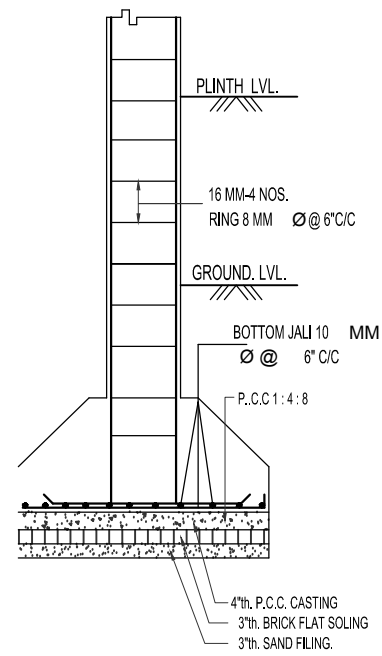
**DETAIL OF GROUND WATER RECHARGING PIT WITH SLIT TANK**



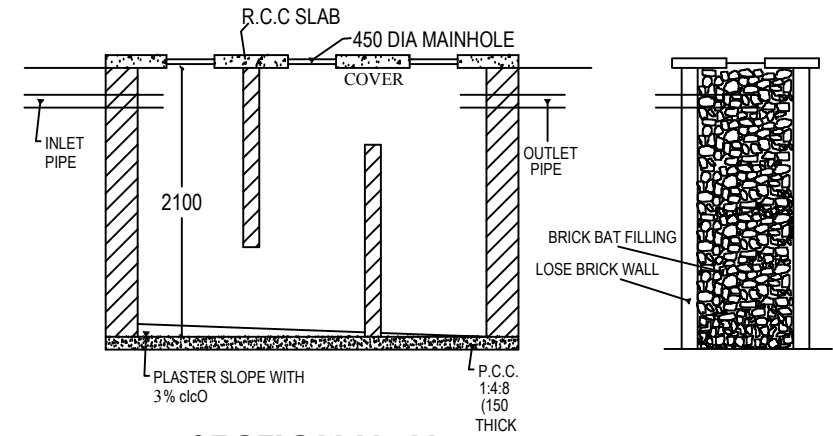
Rain Water Storage Tank Detail SECTION AT A-A (SCALE 1:50)



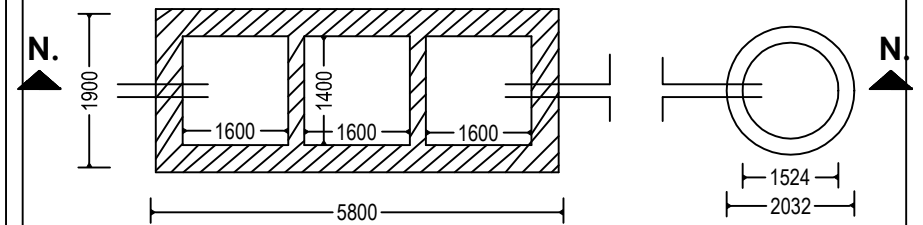
**PLAN OF COLUMN FOUNDATION**  
SCALE= 1:50



**SECTION ON A-A**  
SCALE= 1:50



**SECTION N.-N.**



**DETAIL OF SEPTIC TANK & SOAKPIT.**

Septic Tank Detail