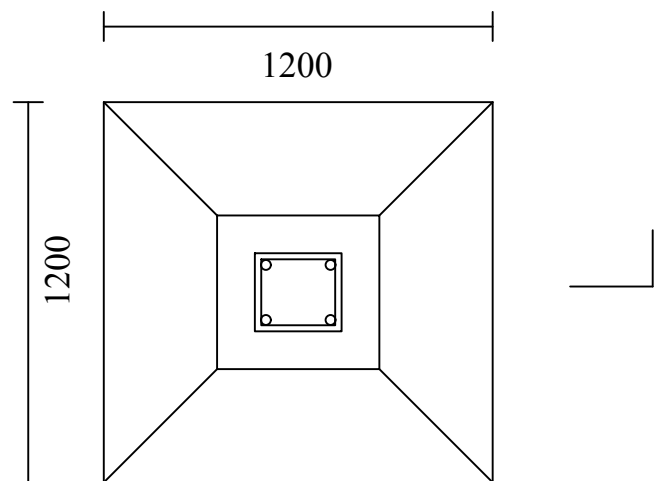


SECTION B-B

150 THK P.C.C.1:4:8
 75 THK BRICK SOALING
 75 THK.SAND FILLING



Structure Detail