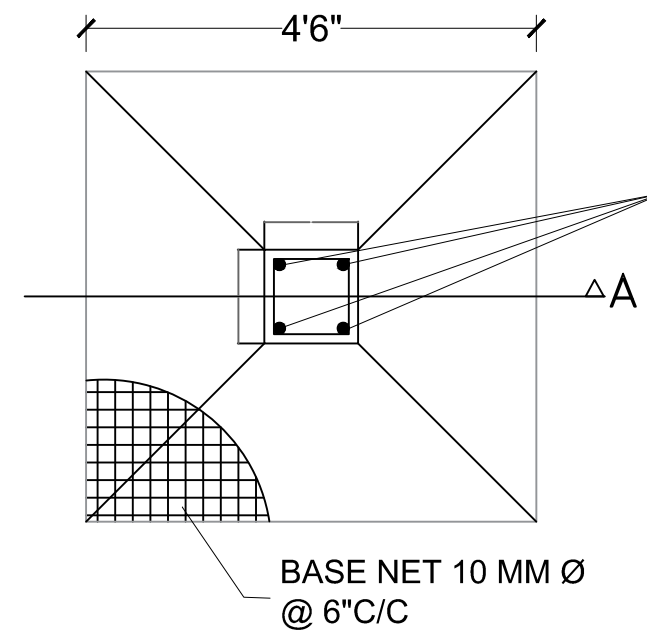
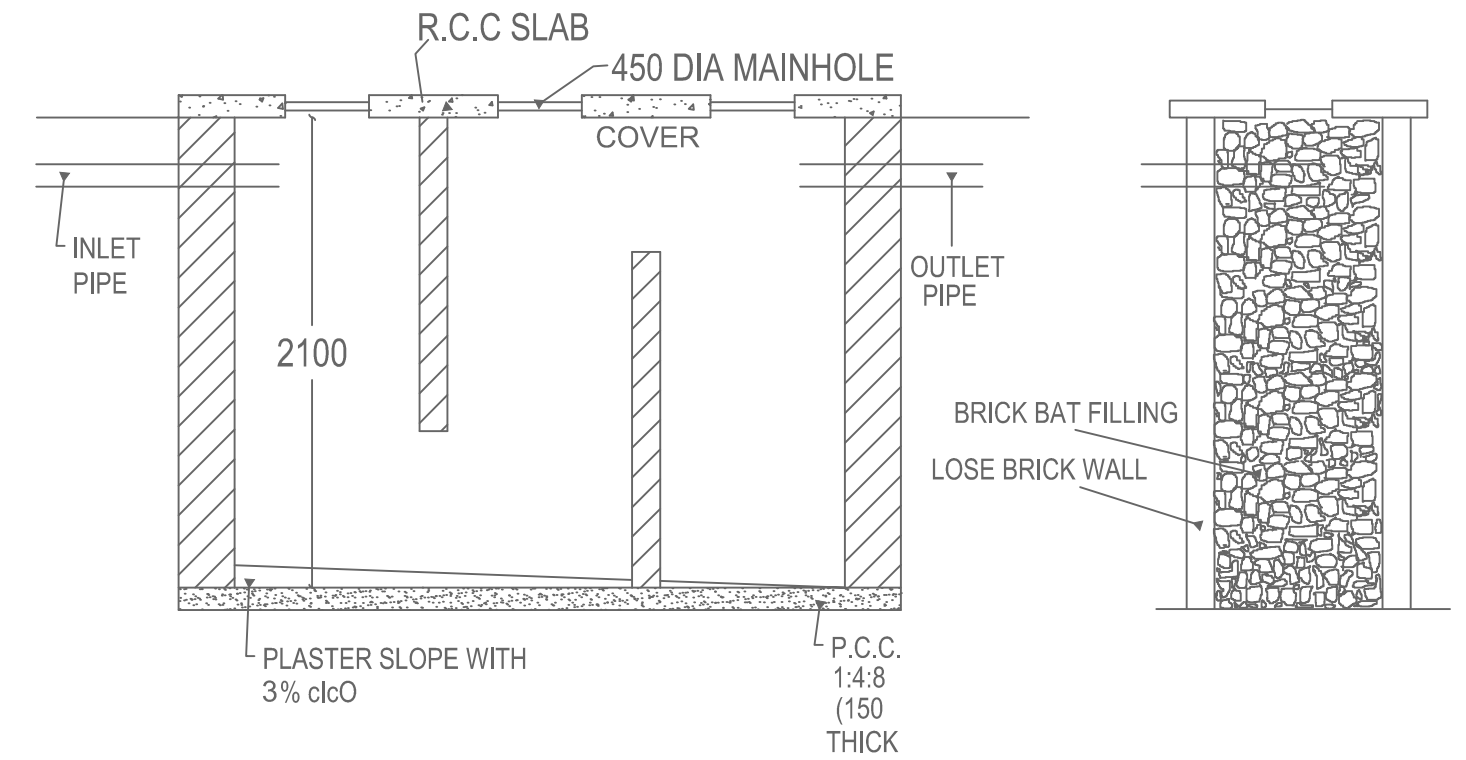


DETAIL OF GROUND WATER RECHAREGING PIT WITH SLIT TANK

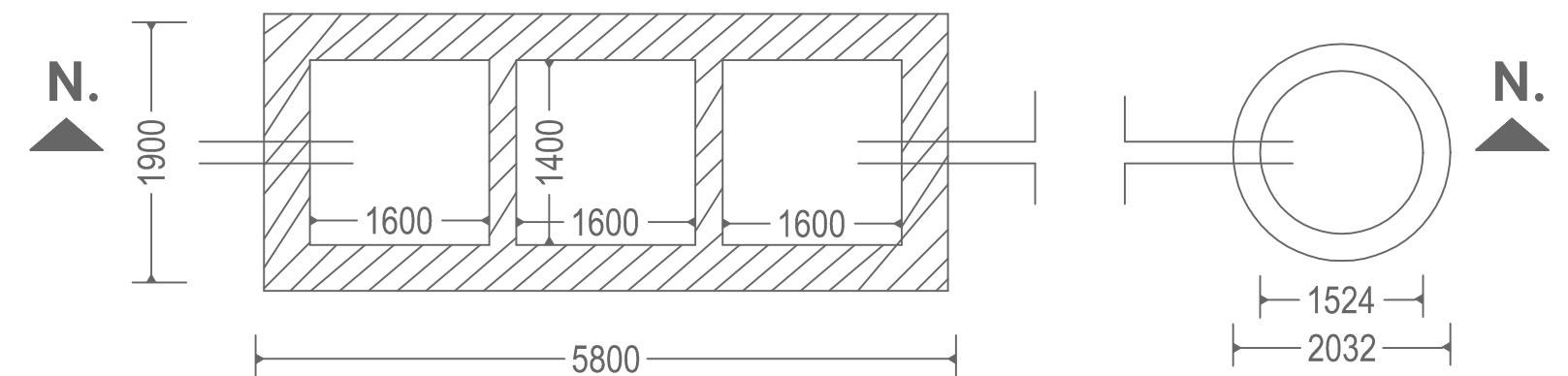


PLAN OF COLUMN FOUNDATION
SCALE= 1:50

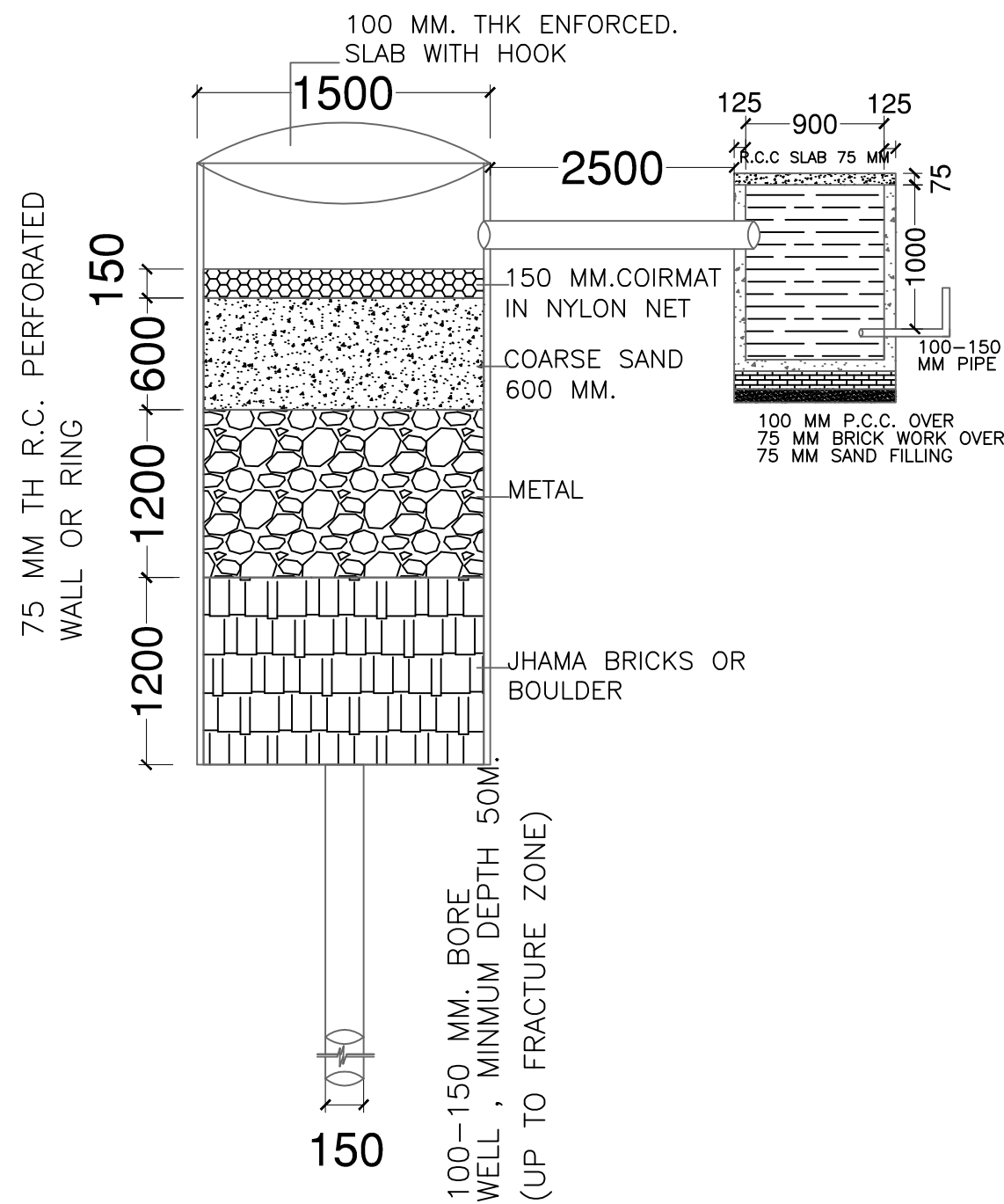
4 NOS.
16
MM
Ø
RINGS
8
MM
Ø
@6"
C/C



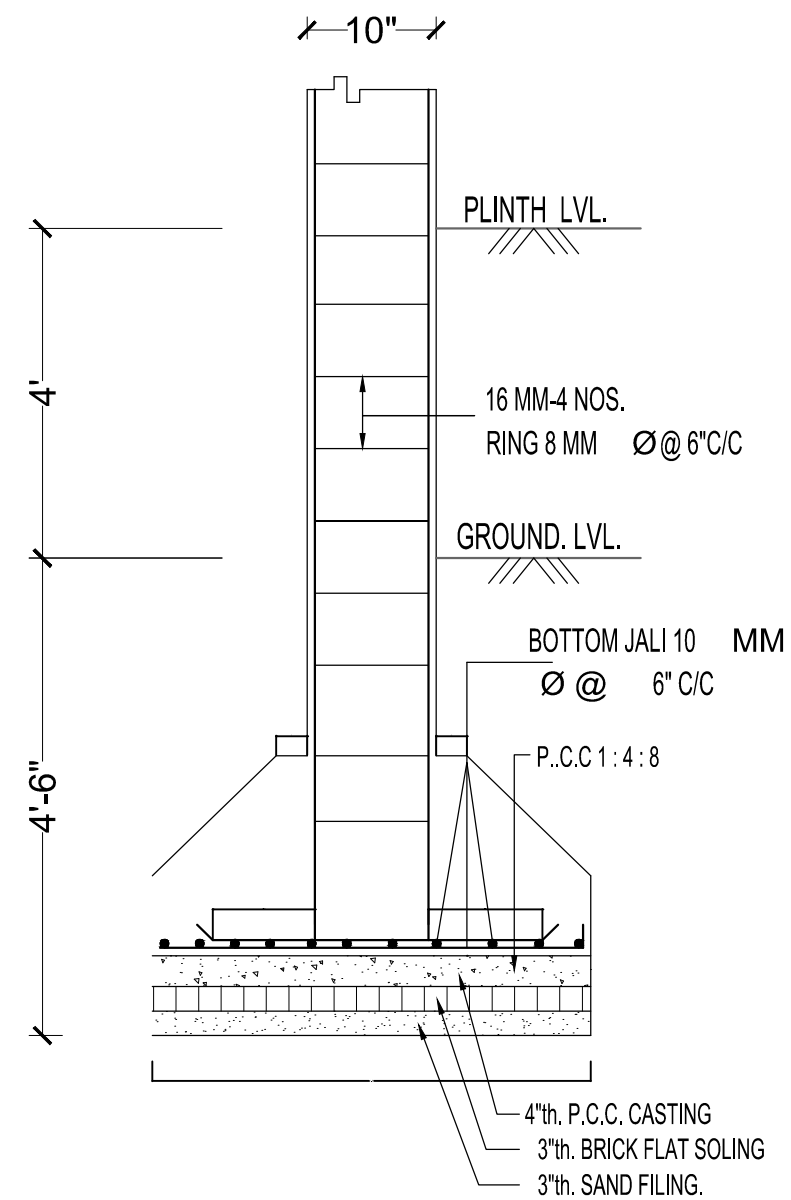
SECTION N.-N.



DETAIL OF SEPTIC TANK & SOAKPIT.



SECTION AT A-A (SCALE 1:50)



SECTION ON A-A
SCALE= 1:50