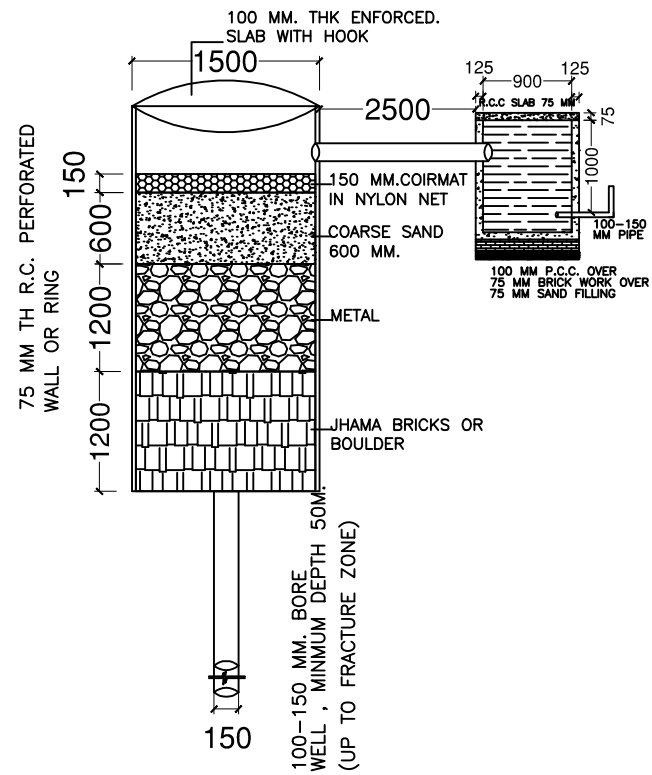
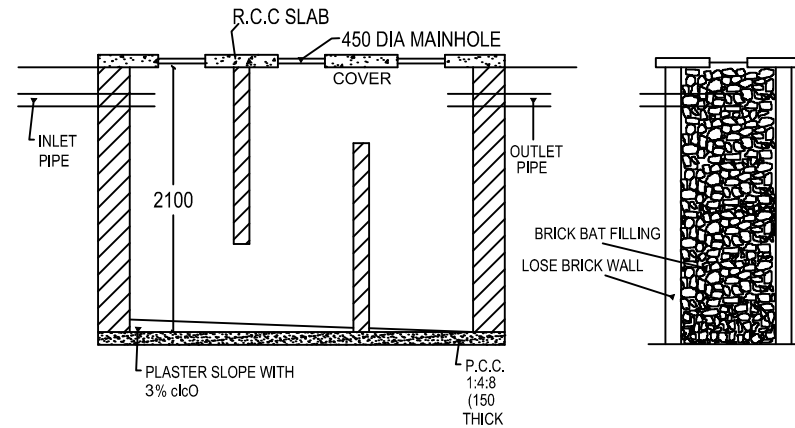


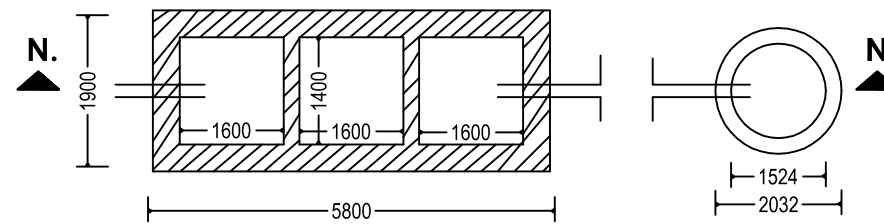
DETAIL OF GROUND WATER RECHARGING PIT WITH SLIT TANK



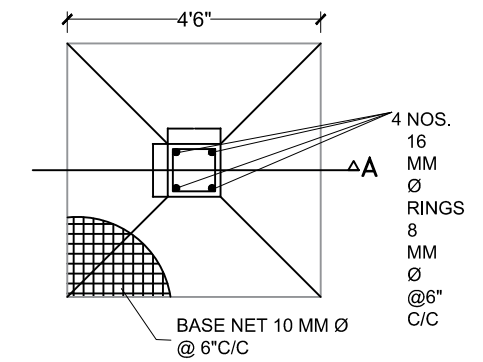
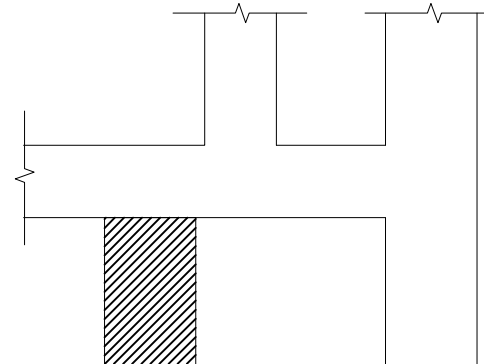
SECTION AT A-A (SCALE 1:50)



SECTION N.-N.

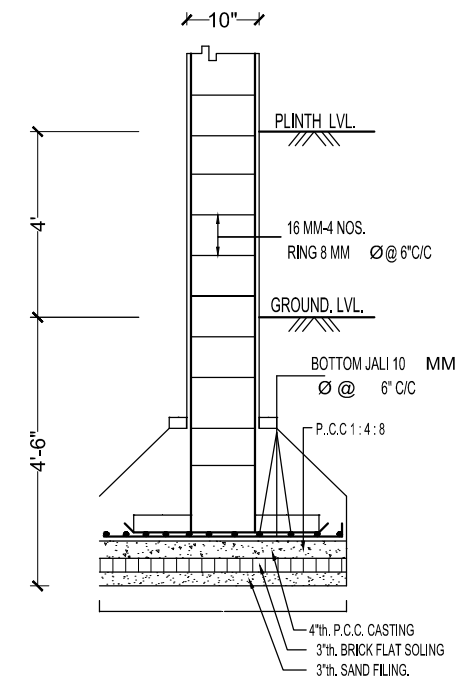


DETAIL OF SEPTIC TANK & SOAKPIT.



PLAN OF COLUMN FOUNDATION

SCALE= 1:50



**SECTION ON A-A
SCALE= 1:50**