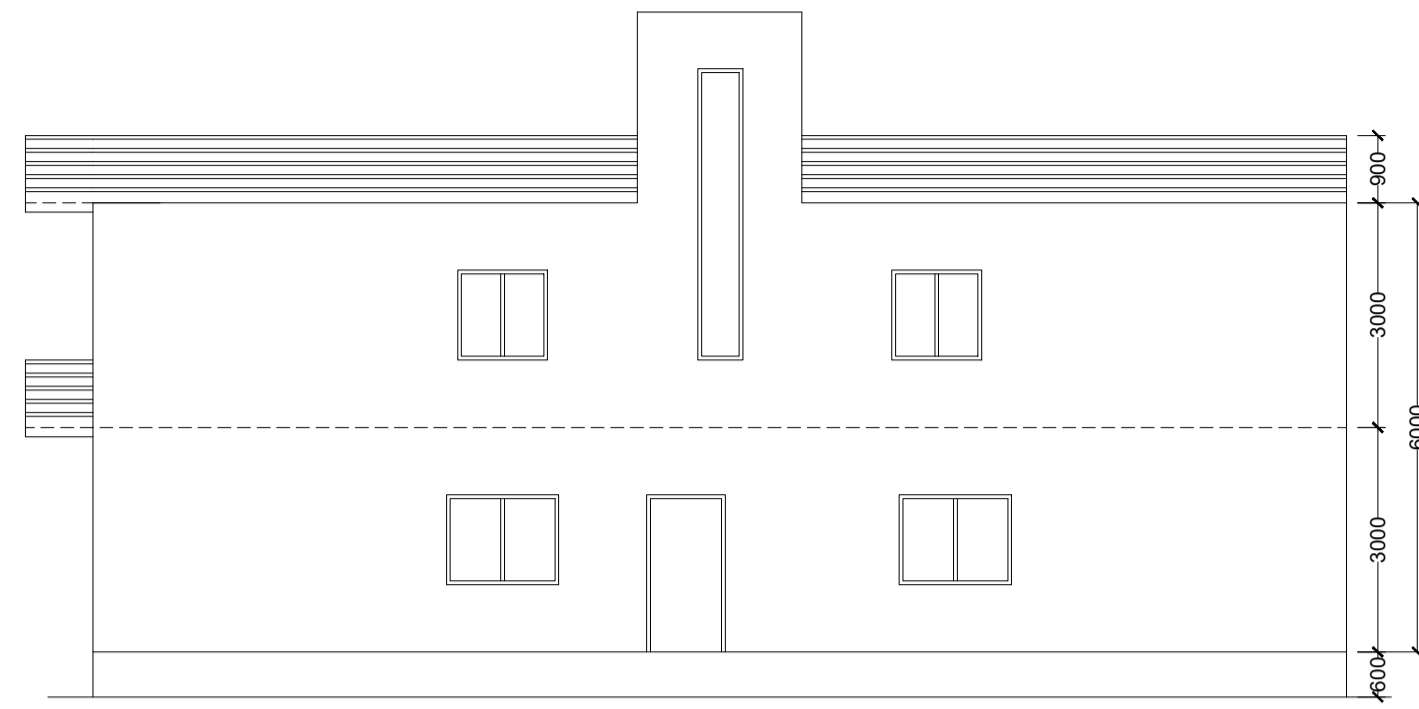
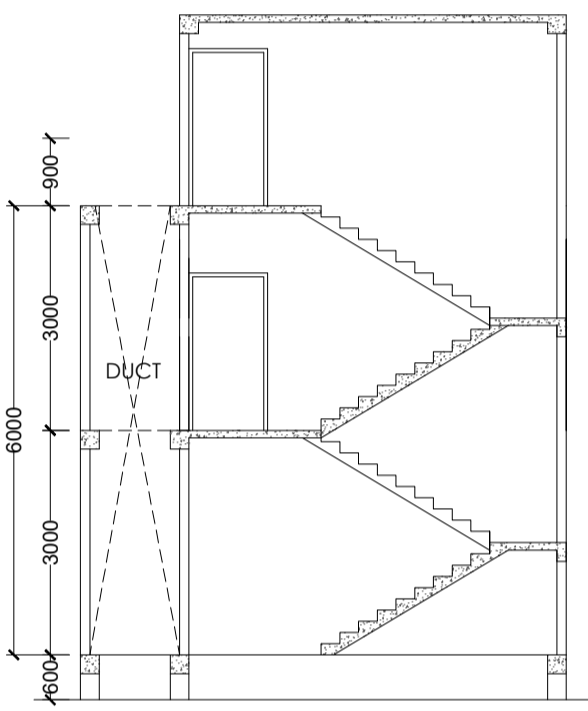


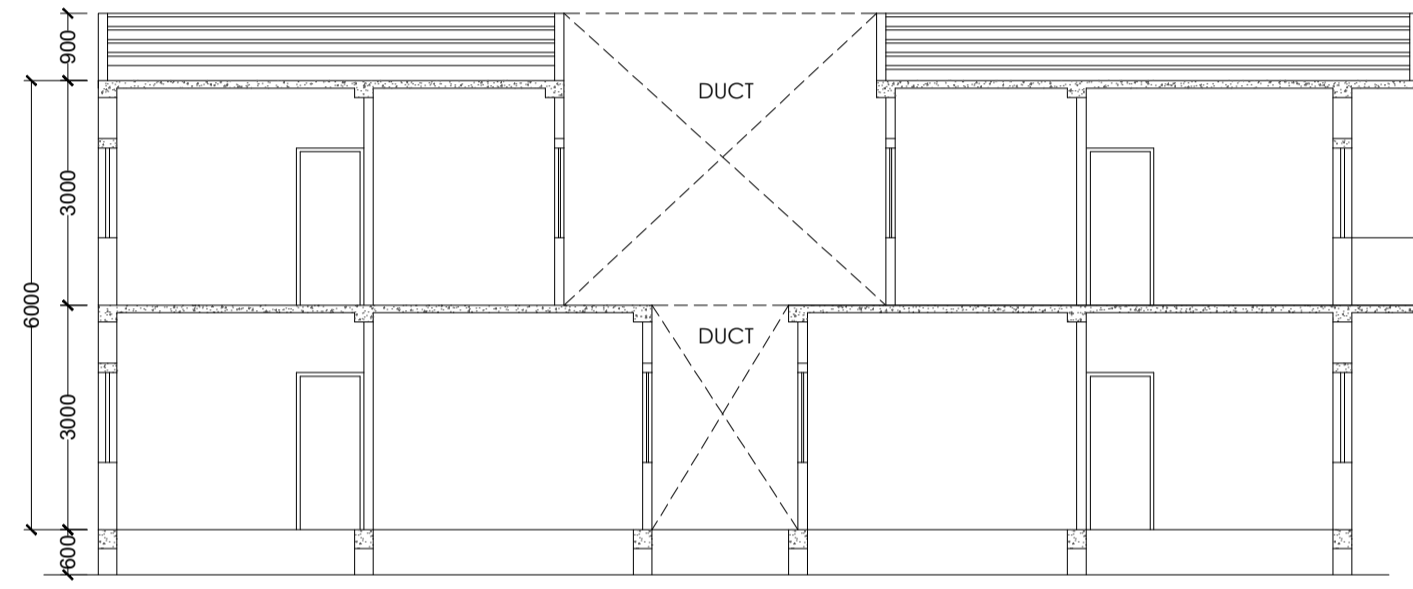
FRONT ELEVATION  
Scale - 1:100



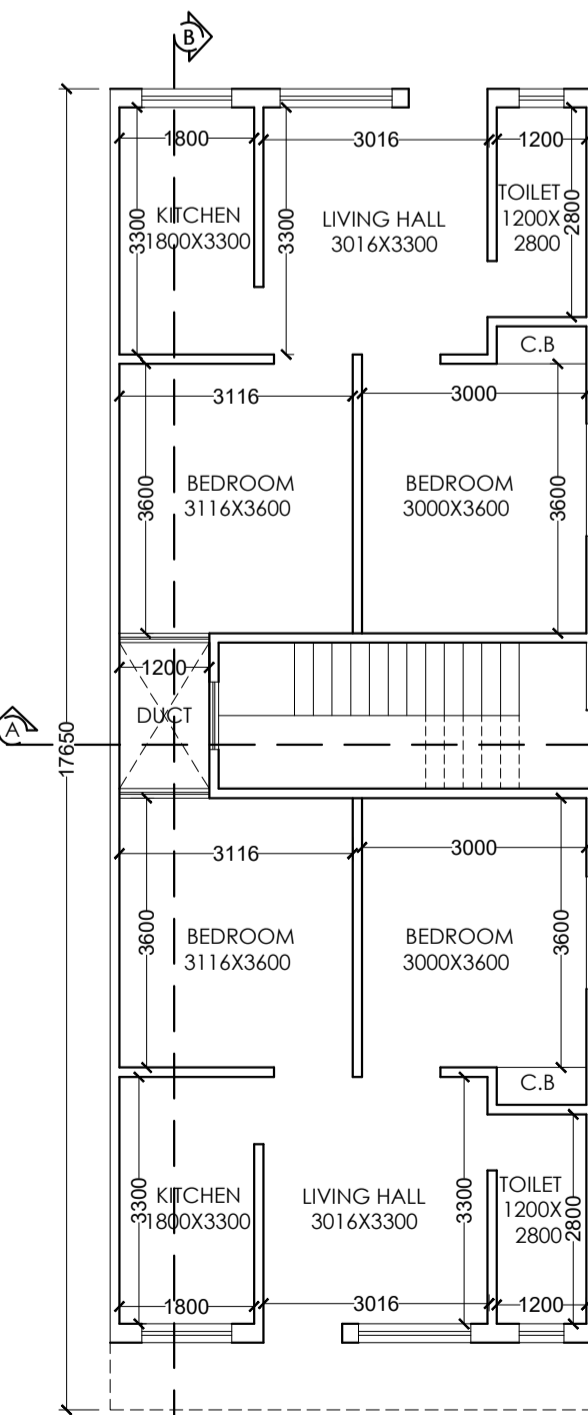
RIGHT SIDE ELEVATION  
Scale - 1:100



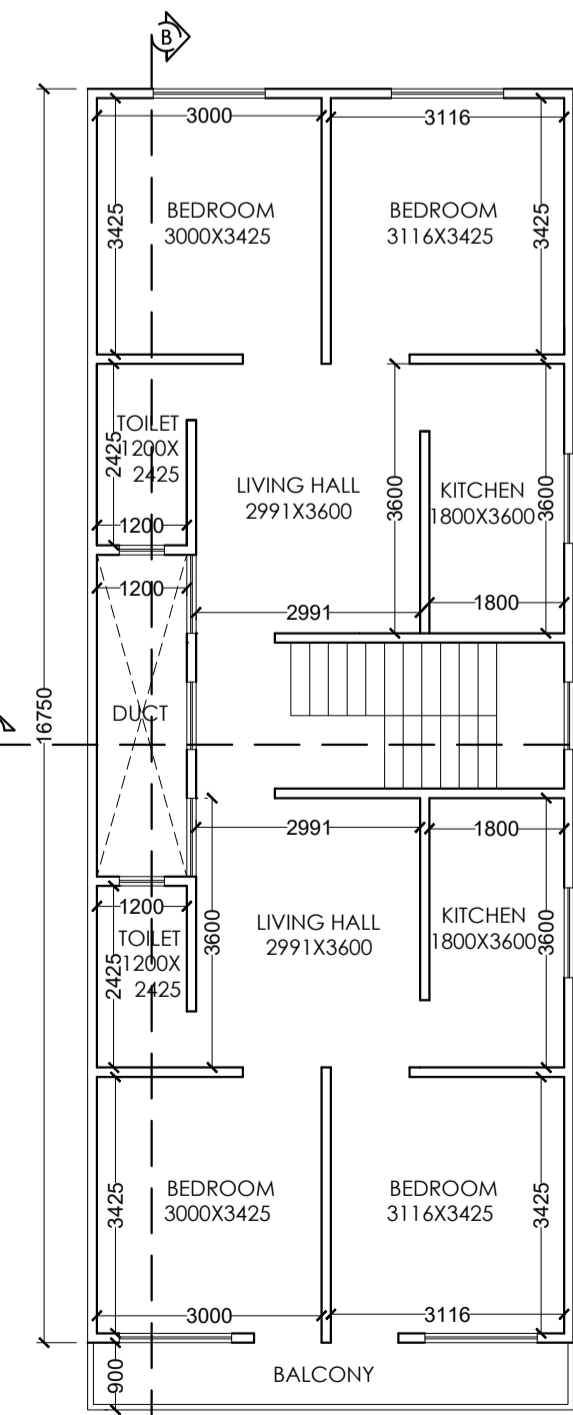
SECTION A-A  
Scale - 1:100



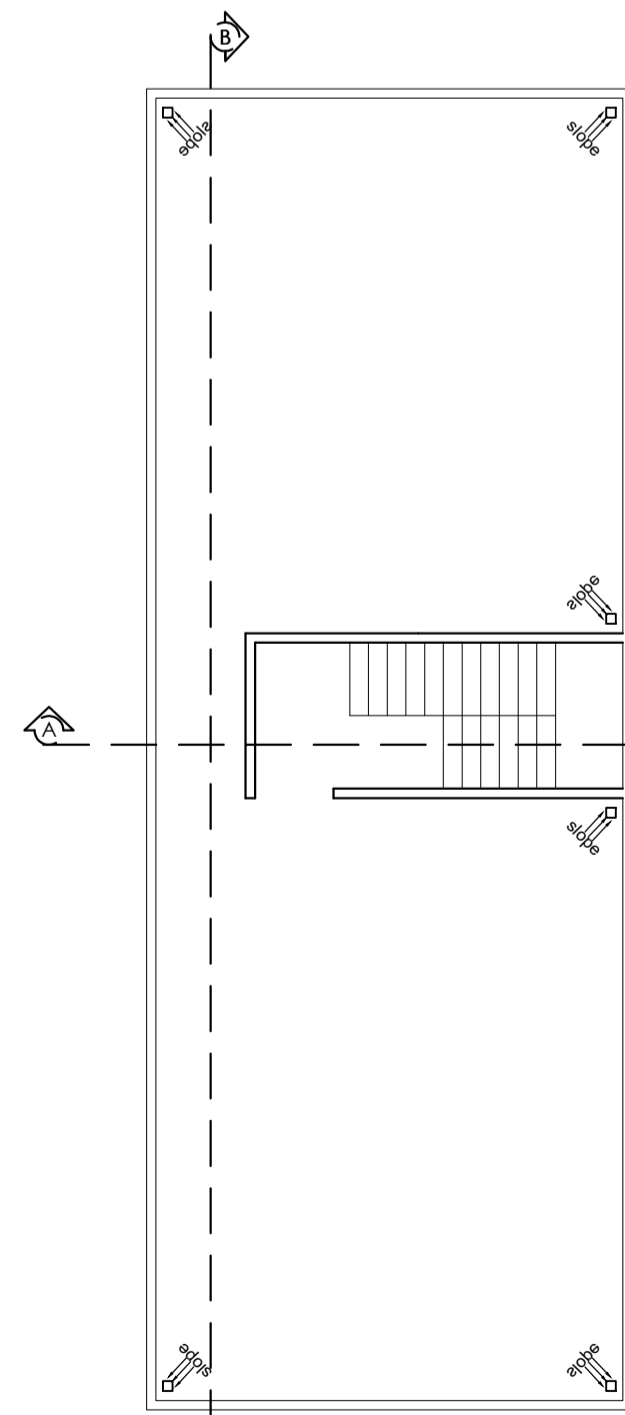
SECTION B-B  
Scale - 1:100



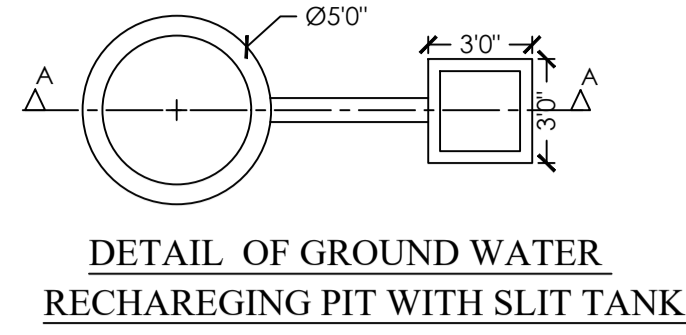
GROUND FLOOR PLAN  
Scale - 1:100



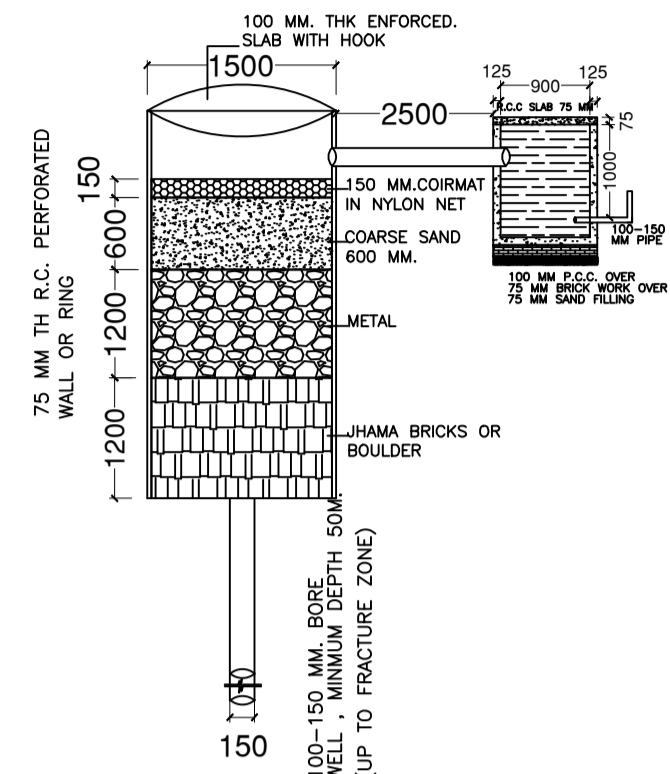
FIRST FLOOR PLAN  
Scale - 1:100



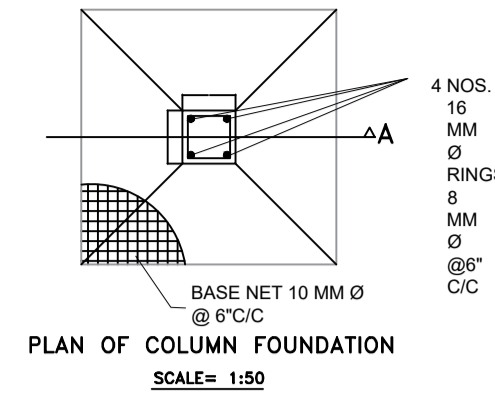
TERRACE FLOOR PLAN  
Scale - 1:100



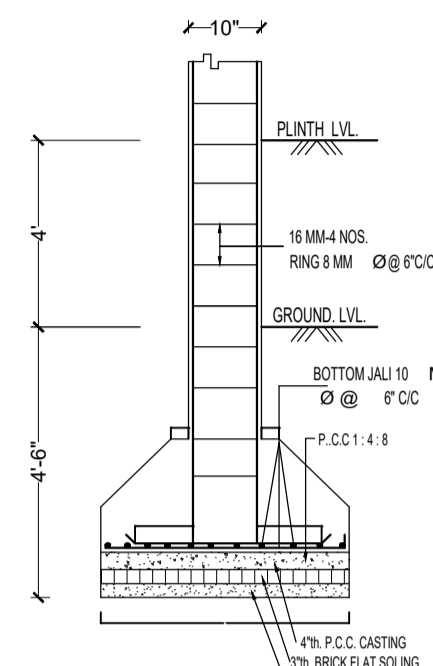
DETAIL OF GROUND WATER  
RECHARGE PIT WITH SLIT TANK



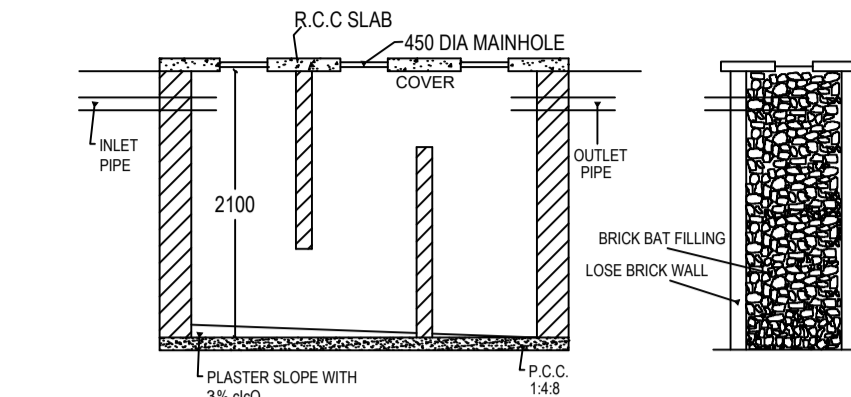
SECTION AT A-A (SCALE 1:50)



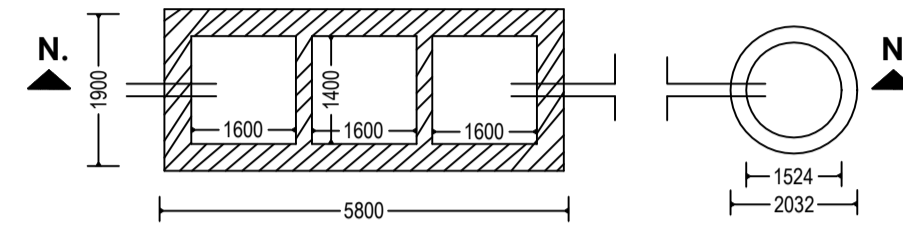
PLAN OF COLUMN FOUNDATION  
SCALE= 1:50



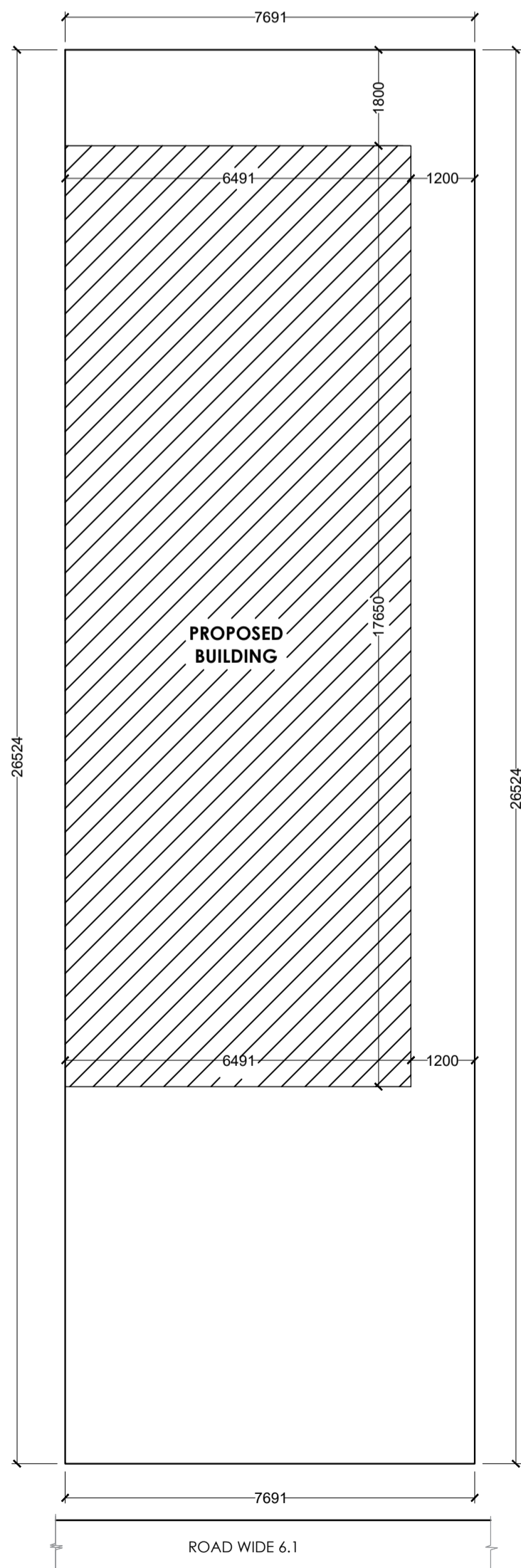
SECTION ON A-A



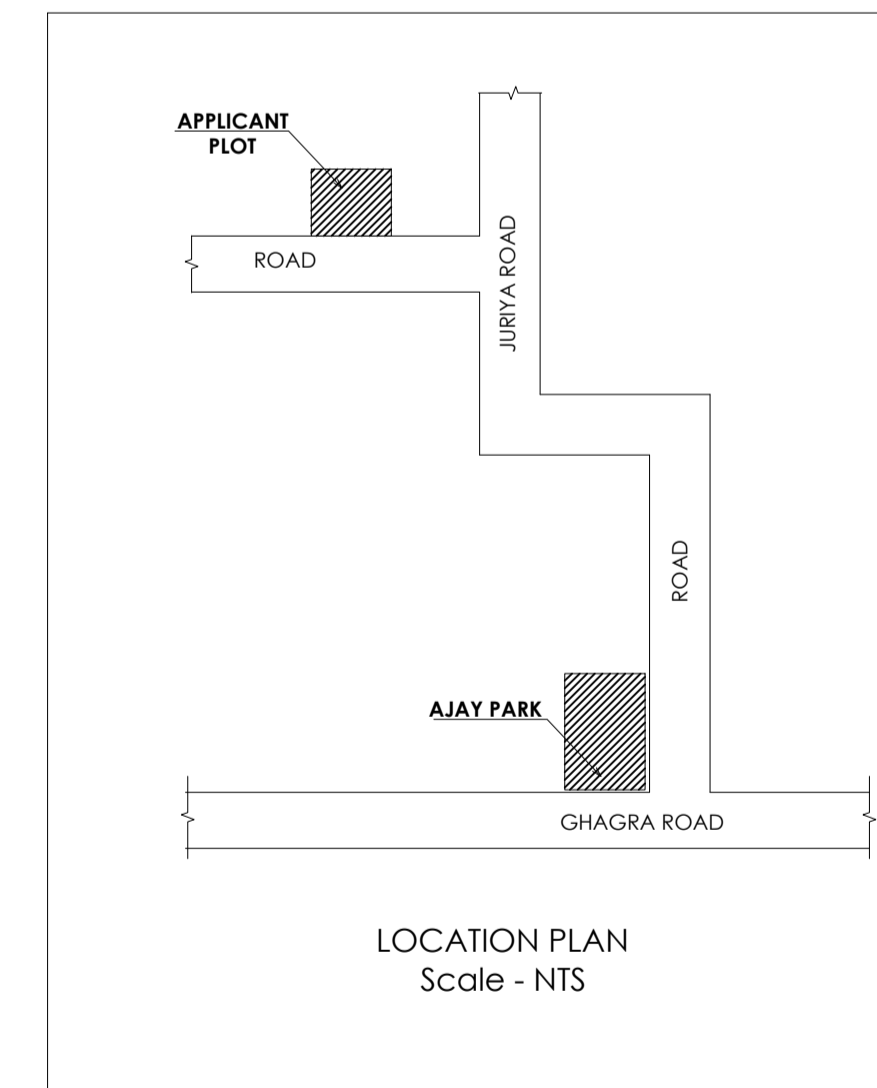
SECTION N-N.



DETAIL OF SEPTIC TANK & SOAKPIT.



SITE PLAN  
Scale - 1:100



LOCATION PLAN  
Scale - NTS

- General notes
- 1 ALL DIMENSION ARE IN MILLIMETRES UNLESS OTHERWISE STATED.
  - 2 NO DIMENSION IS TO BE SCALED OFF THE DRAWING.
  - 3 DRAWINGS TO BE READ IN CONJUNCTION WITH ALL RELEVANT DRAWINGS & SPECIFICATIONS.
  - 4 REFER WRITTEN DIMENSIONS ONLY.
  - 5 DOORS AND WINDOW FRAME NOT TO BE FIXED ALONG WITH BRICK WORK.
  - 6 INTERNAL PLASTER SHOULD BE 12MM THICK AND EXTERNAL PLASTER IS 25MM THICK.
  - 7 FOUNDATION DEPTH UPTO GOOD SOIL.
  - 8 CEMENT MORTAR OF MIX (1:6) FOR ENTIRE STRUCTURE AND PLASTER WORK.
  - 9 SEPTIC TANK WILL BE FLUSHING SYSTEM.
  - 10 ALL REINFORCEMENT SHALL BE OF TOR STEEL OF GRADE FY-415.
  - 11 GRADE OF CONCRETE SHALL BE M-20

TYPE	WIDTH	HEIGHT	SILL LVL	DISCRIPTION
D	1000	2100	NILL	SINGLE SHUTTER FLUSH DOOR
D1	1000	2100	NILL	" "
D2	900	2100	NILL	" "
D3	700	2100	NILL	" "
CG	1500	2100	NILL	STEEL CHANNEL GATE
W	1500	1200	900	4 LEAF GLAZED WIND
W2	1200	1200	900	" "
W3	900	1200	900	" "
V	600	300	2400	VENTILATOR

schedule of area	
PLOT AREA AS PER SITE	- 203.984 SQ.M.
AREA OF GROUND FLOOR	- 114.566 SQ.M.
AREA OF FIRST FLOOR	- 114.566 SQ.M.
TOTAL BUILD UP AREA	- 229.132 SQ.M.
% OF COVERED AREA	- 56.16%
TOTAL F.A.R. ACHIEVED	- 1.12

owner  
**PROPOSED G+1 RESIDENTIAL BUILDING PLAN OF GIRJA NANDAN KUJUR, W/O LATE LAXMAN RAM, PLOT NO. :- 697/723, KHATA NO. :- 261/262, THANA NO. :- 194, AREA :- 5 DECIMAL, MAUZA :- LOHARDAGA, DIST - LOHARDAGA - 835302, STATE - JHARKHAND**

SCALE: 1:100  
 ( OTHER WISE SPECIFIED )  
 ( ALL DIM IN MM )

NORTH

ENGINEER INCHARGE SIGNATURE OF APPLICANT