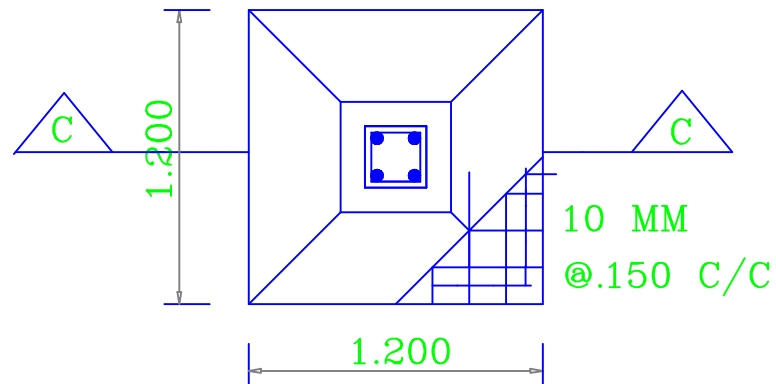


SECTION C-C



PLAN

R.C.C.COLUMN FOUNDN.

(SCALE- 1:50)