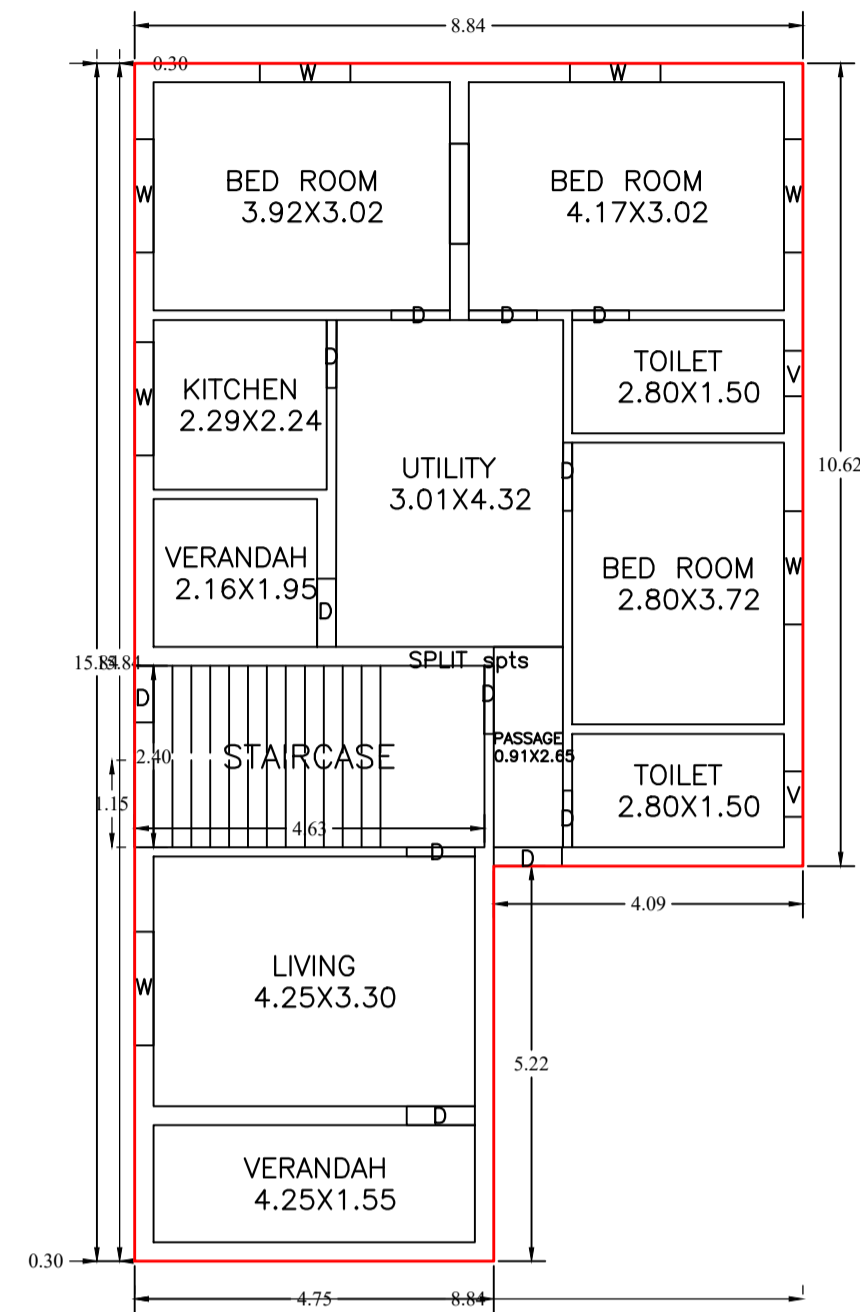
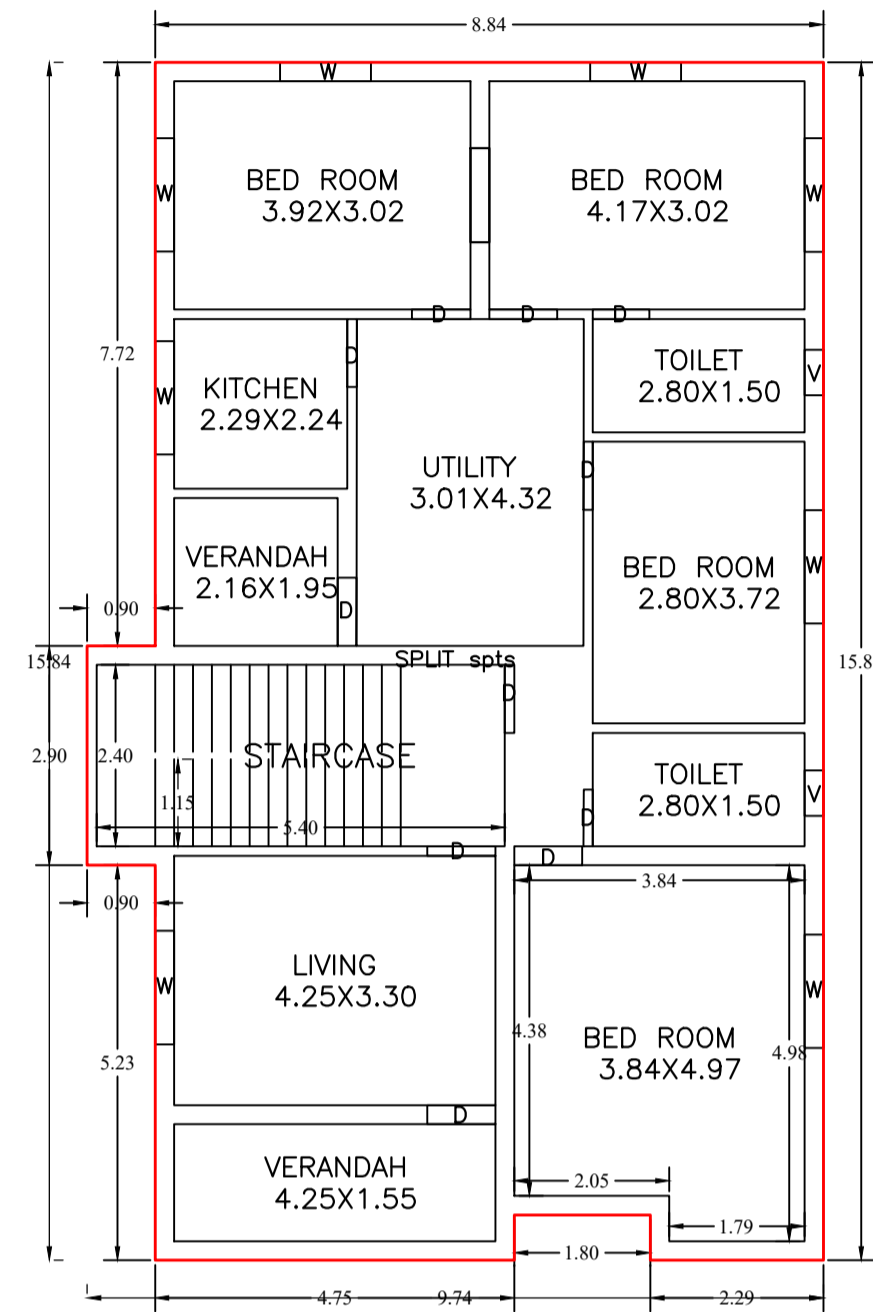


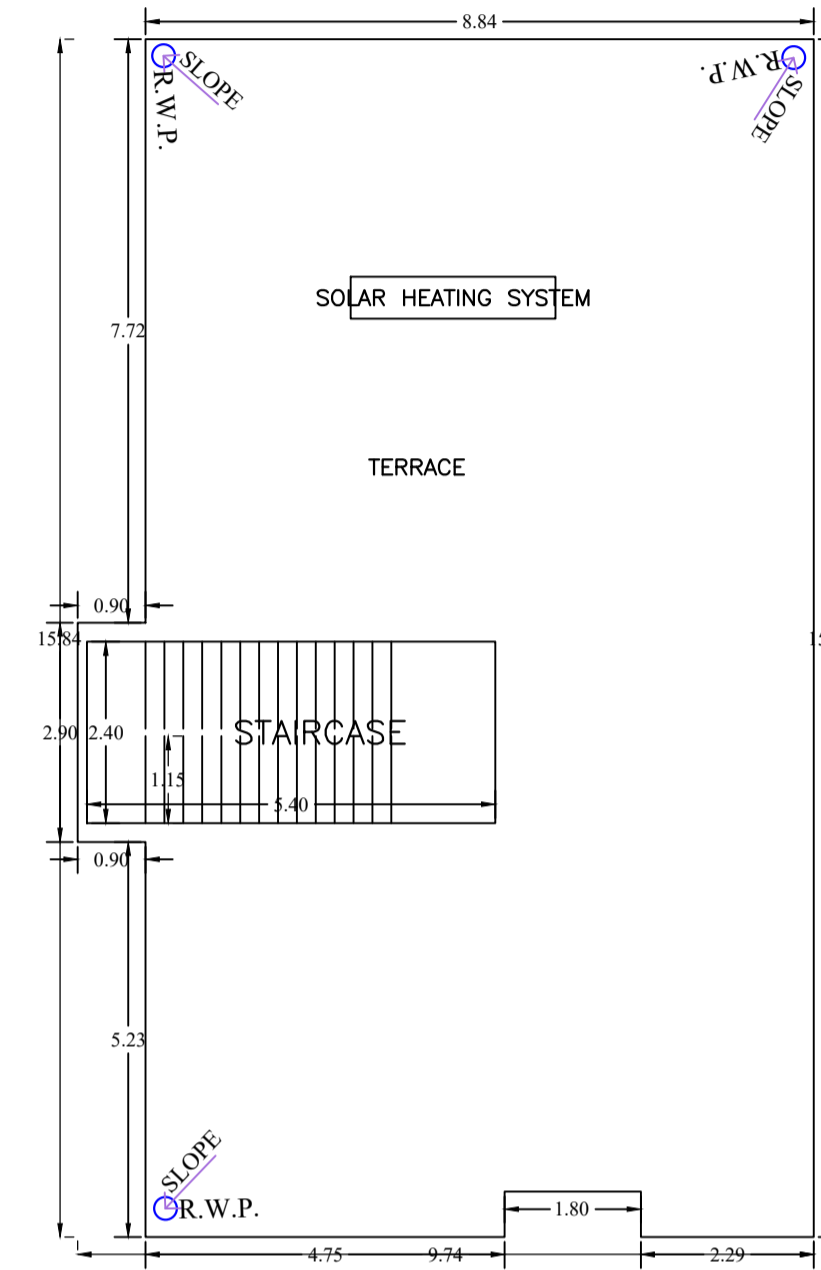
Proposal Basic Information	
Proposal File No.	LNP/RF/337W/19/2024
Owner Name	UMESH MAHTO
Khata No	85
Plot No	429
Village Name	Lohardaga
Use	Residential
SubUse	Bungalow/ Dwelling / Non Apartment



GROUND FLOOR PLAN  
(Proposed)  
(SCALE 1:100)



FIRST FLOOR PLAN  
(Proposed)  
(SCALE 1:100)



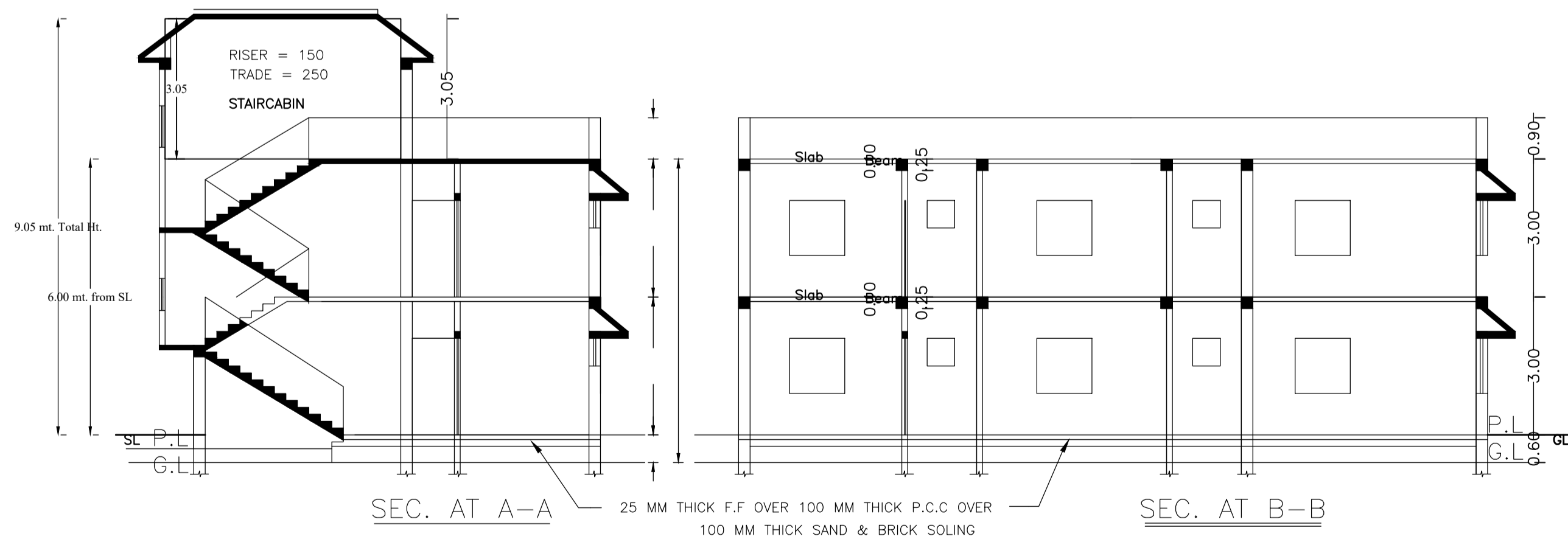
TERRACE FLOOR PLAN  
(SCALE 1:100)

Building :ABC (123)

Floor Name	Total Built Up Area (Sq.mt.)	Proposed FAR Area (Sq.mt.) Resi.	Total FAR Area (Sq.mt.)	Total Consumed Additional FAR Area (Sq.mt.)	Tnmt (No.)
Ground Floor	118.68	118.68	118.68	118.68	01
First Floor	141.58	141.58	141.58	141.58	00
Terrace Floor	0.00	0.00	0.00	0.00	00
Total:	260.26	260.26	260.26	260.26	01
Total Number of Same Buildings	1				
Total:	260.26	260.26	260.26	260.26	01

UnitBUA Table for Building :ABC (123)

FLOOR	Name	UnitBUA Type	UnitBUA Area	Carpet Area	No. of Rooms	No. of Tenement
GROUND FLOOR PLAN	SPLIT spts	FLAT	260.26	259.61	11	1
FIRST FLOOR PLAN	SPLIT spts	FLAT	0.00	0.00	11	0
Total:	-	-	260.26	259.61	22	1



SCHEDULE OF DOOR:

BUILDING NAME	NAME	LENGTH	HEIGHT	NOS
ABC (123)	D	0.75	2.10	04
ABC (123)	D	0.78	2.10	02
ABC (123)	D	0.90	2.10	15

SCHEDULE OF WINDOW/VENTILATION:

BUILDING NAME	NAME	LENGTH	HEIGHT	NOS
ABC (123)	V	0.60	1.20	04
ABC (123)	W	1.20	1.20	04
ABC (123)	W	1.50	1.20	11

LTP NAME AND SIGNATURE	STRUCTURAL ENG'S NAME AND SIGNATURE	BUILDER NAME AND SIGNATURE	DIGITAL SIGNATURE
SUNIL KUMAR LNP/ENG/0004/2017			

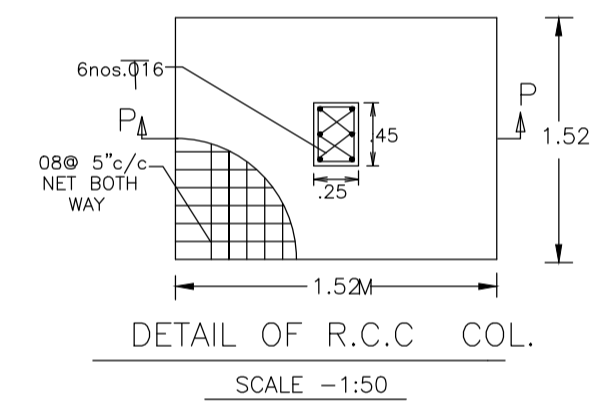
Proposal Basic Information	
Proposal File No.	LNP/RF/337W/19/2024
Owner Name	UMESH MAHTO
Khata No	85
Plot No	429
Village Name	Lohardaga
Use	Residential
SubUse	Bungalow/ Dwelling / Non Apartment



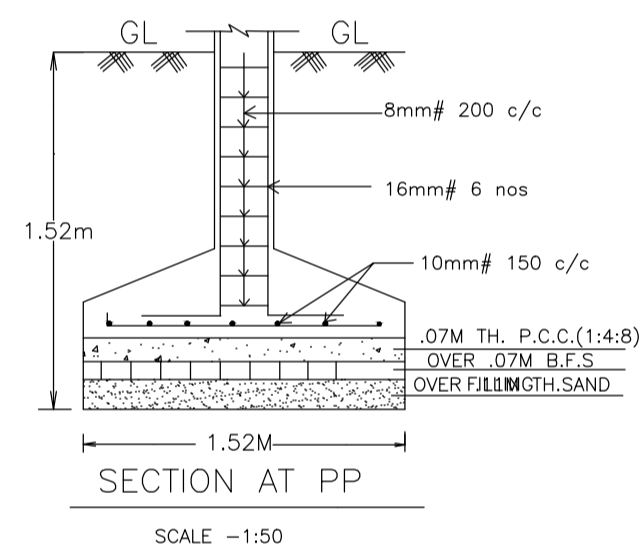
FRONT ELEVATION



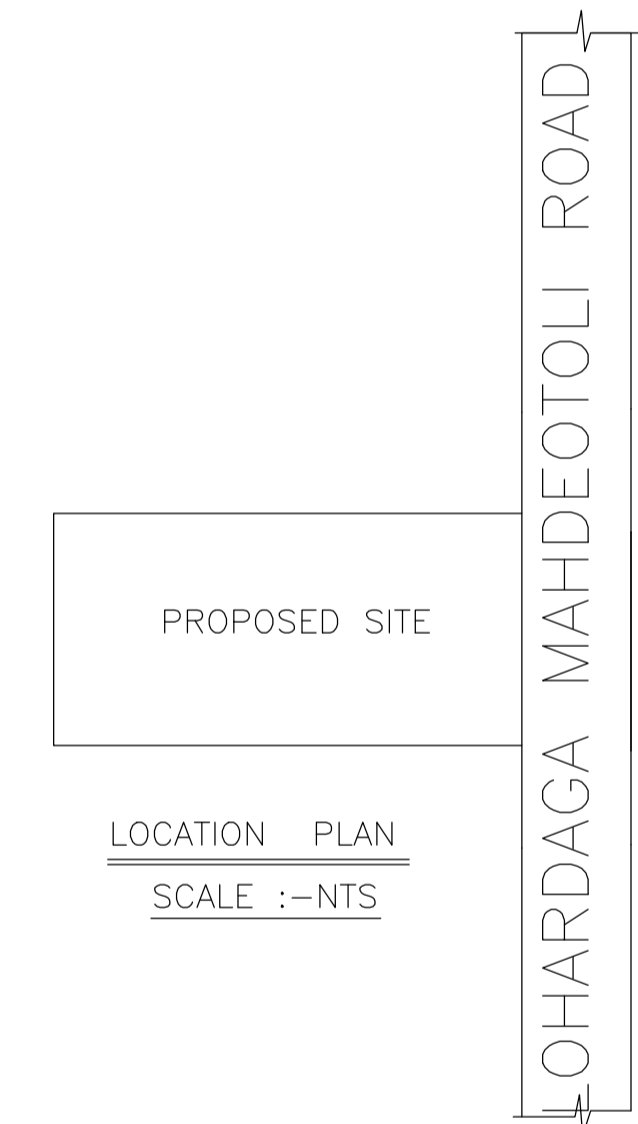
SIDE ELEVATION



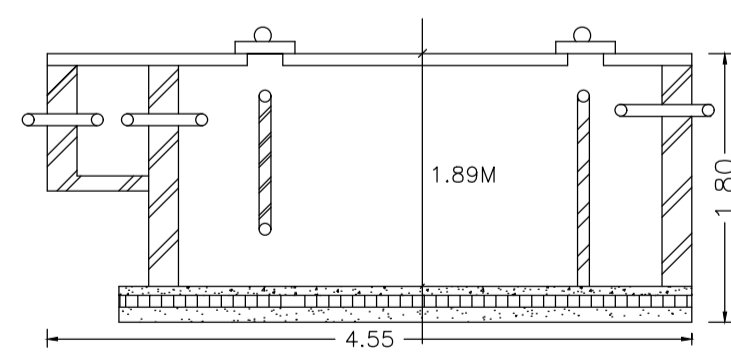
DETAIL OF R.C.C. COL.  
SCALE - 1:50



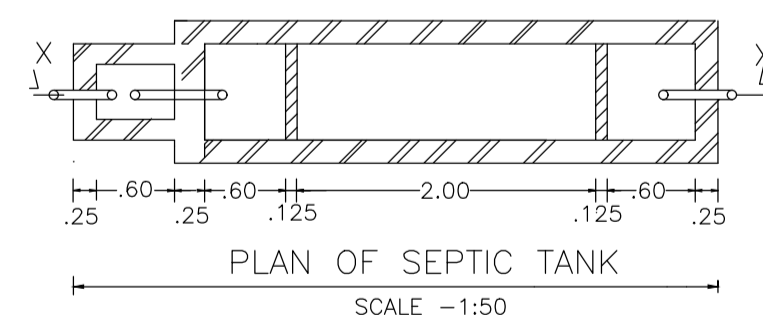
SECTION AT PP  
SCALE - 1:50



LOCATION PLAN  
SCALE :-NTS

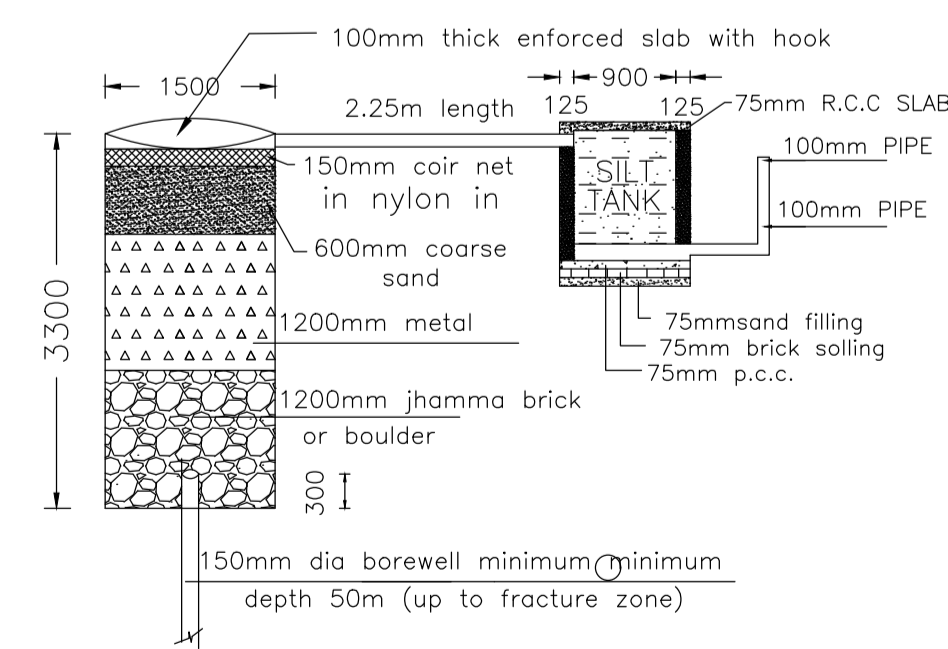


SECTION AT X-X  
SCALE - 1:50



PLAN OF SEPTIC TANK  
SCALE - 1:50

DETAIL OF GROUND WATER RECHARGING PIT WITH SILT TANK



LTP NAME AND SIGNATURE	STRUCTURAL ENG'S NAME AND SIGNATURE	BUILDER NAME AND SIGNATURE	DIGITAL SIGNATURE
SUNIL KUMAR LNP/ENG/0004/2017			