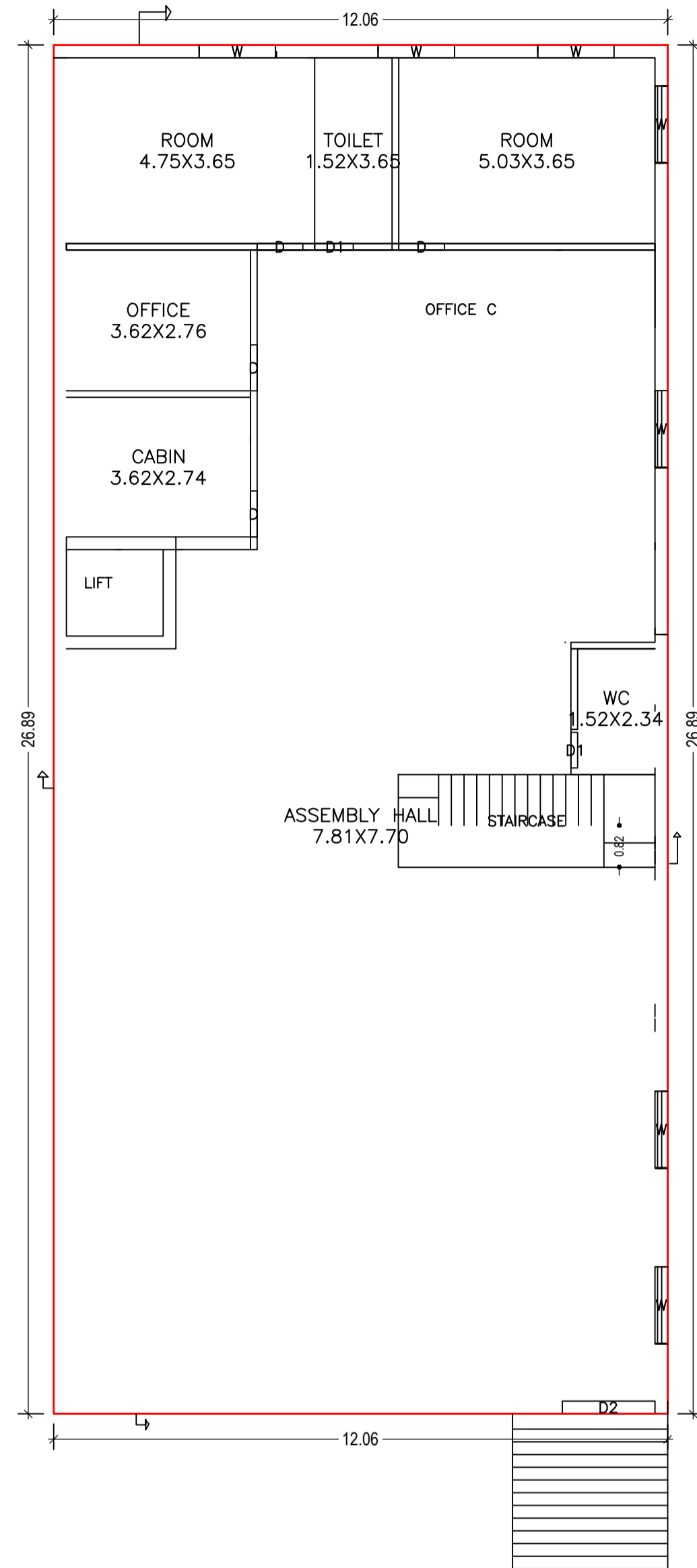
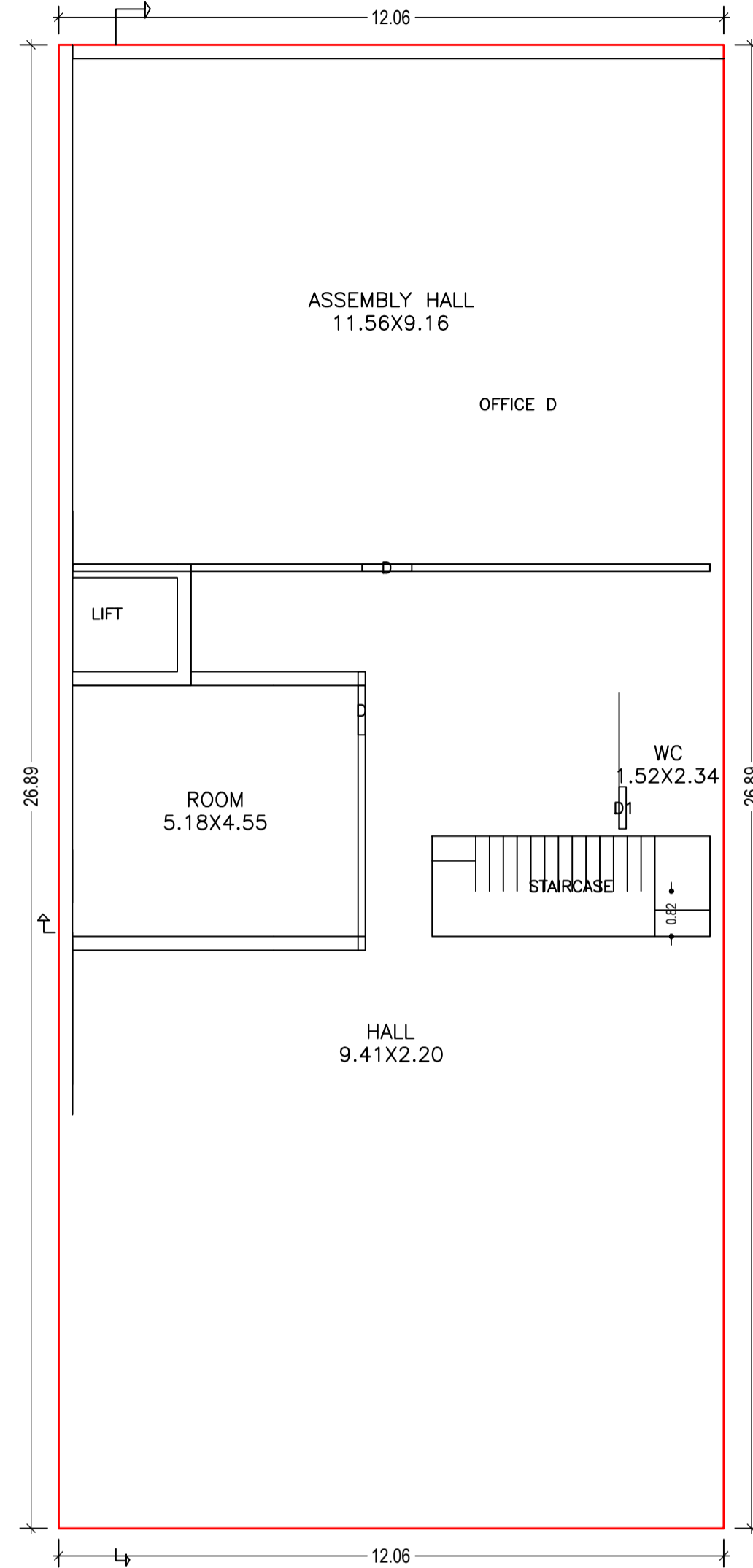


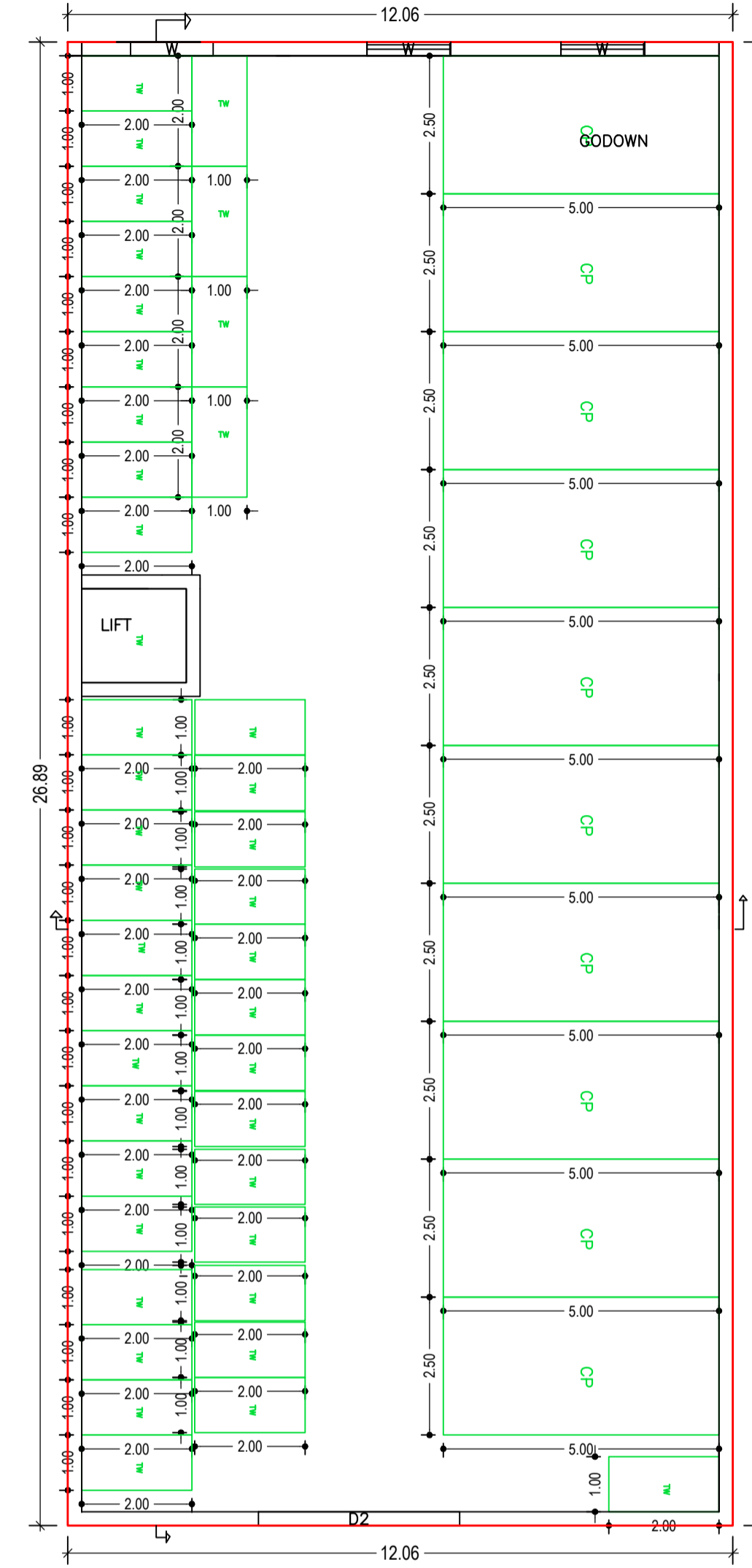
TERRACE FLOOR PLAN  
(SCALE 1:100)



GROUND FLOOR PLAN  
(Proposed)  
(SCALE 1:100)



FIRST FLOOR PLAN  
(Proposed)  
(SCALE 1:100)



BASEMENT FLOOR PLAN  
(Proposed)  
(SCALE 1:100)

Building :A (BUILDING)

Floor Name	Total Built Up Area (Sq.mt.)	Deductions (Area in Sq.mt.) Lift	Proposed FAR Area (Sq.mt.) Commercial	Total FAR Area (Sq.mt.)	Total Consumed Additional FAR Area (Sq.mt.)
Basement Floor	324.30	3.23	321.07	321.07	321.07
Ground Floor	324.30	0.00	324.30	324.30	324.30
First Floor	324.30	3.23	321.07	321.07	321.07
Terrace Floor	0.00	0.00	0.00	0.00	0.00
Total :	972.90	6.46	966.45	966.44	966.44
Total Number of Same Buildings :	1				
Total :	972.90	6.46	966.45	966.44	966.44

SCHEDULE OF DOOR:

BUILDING NAME	NAME	LENGTH	HEIGHT	NOS
A (BUILDING)	D1	0.70	2.10	01
A (BUILDING)	D1	0.76	2.10	02
A (BUILDING)	D	0.90	2.10	06
A (BUILDING)	D2	1.82	2.10	01

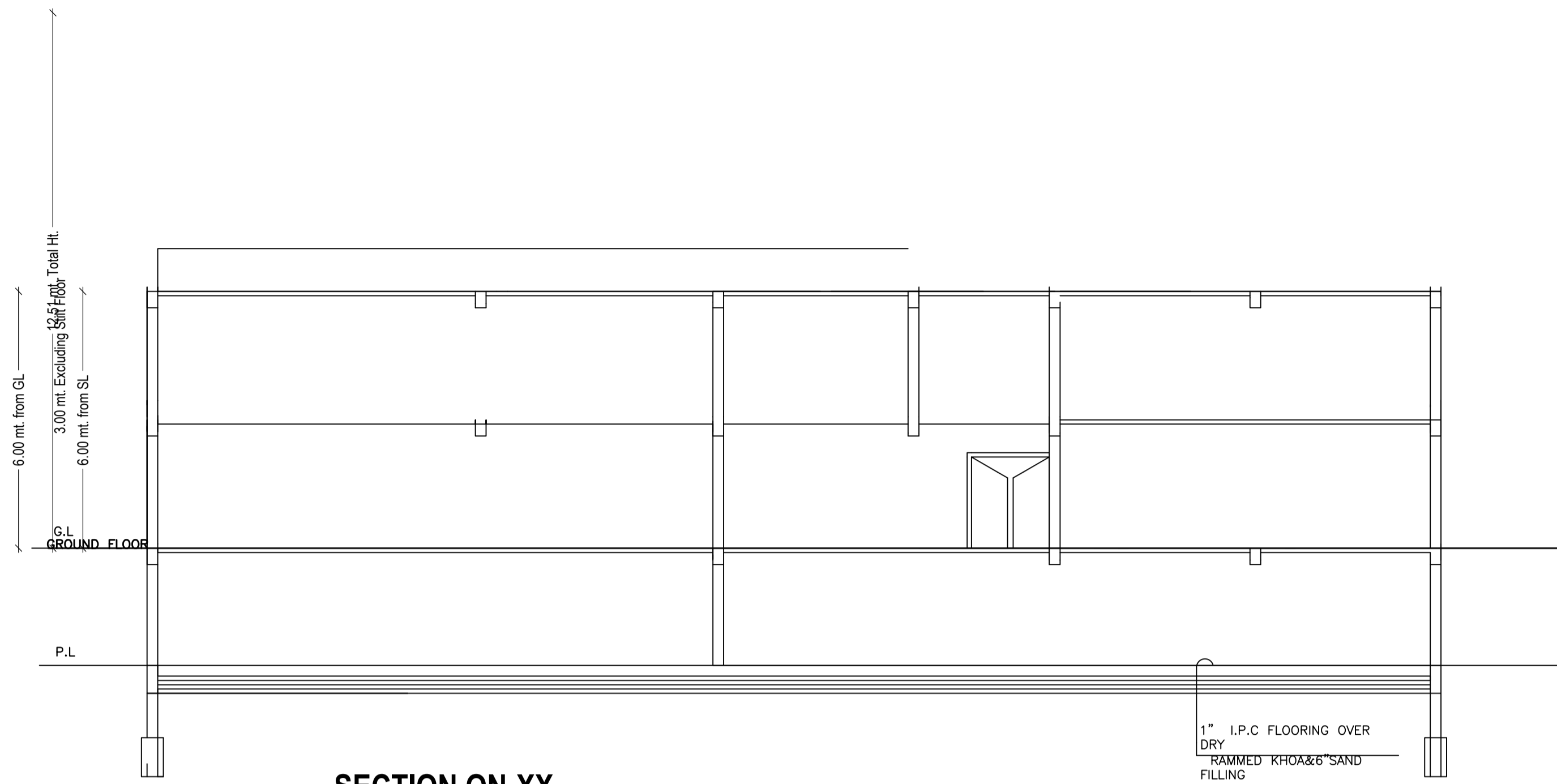
SCHEDULE OF WINDOW/VENTILATION:

BUILDING NAME	NAME	LENGTH	HEIGHT	NOS
A (BUILDING)	W	1.50	1.20	07

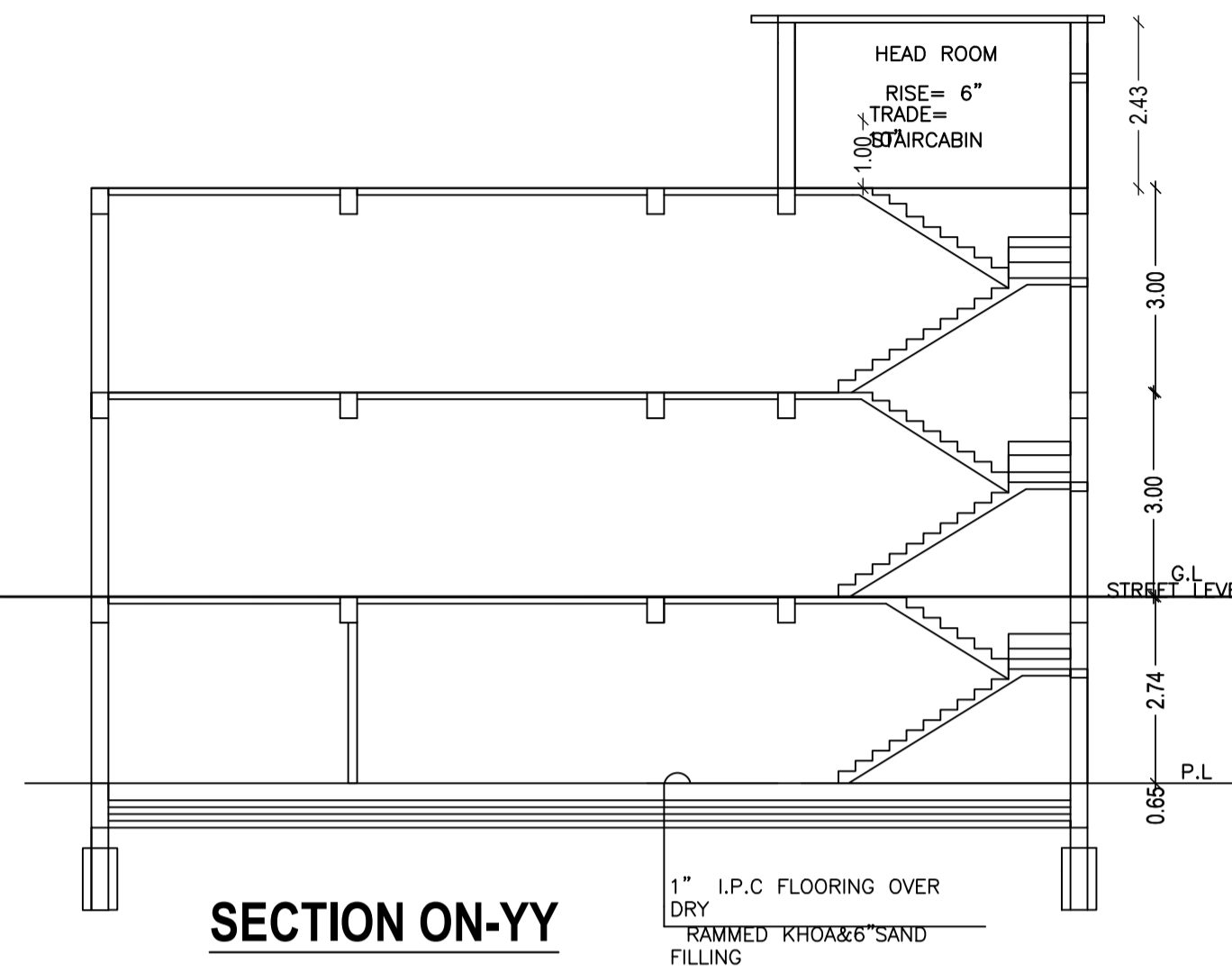
UnitBUA Table for Building :A (BUILDING)

FLOOR	Name	UnitBUA Type	UnitBUA Area	Carpet Area	No. of Rooms	No. of Tenement
GROUND FLOOR PLAN	OFFICE C	OFFICE	291.36	289.86	7	1
FIRST FLOOR PLAN	OFFICE D	OFFICE	291.36	289.86	4	1
BASEMENT FLOOR PLAN	GODOWN	GODOWN	304.74	301.85	0	1
Total:	-	-	887.46	881.57	11	3

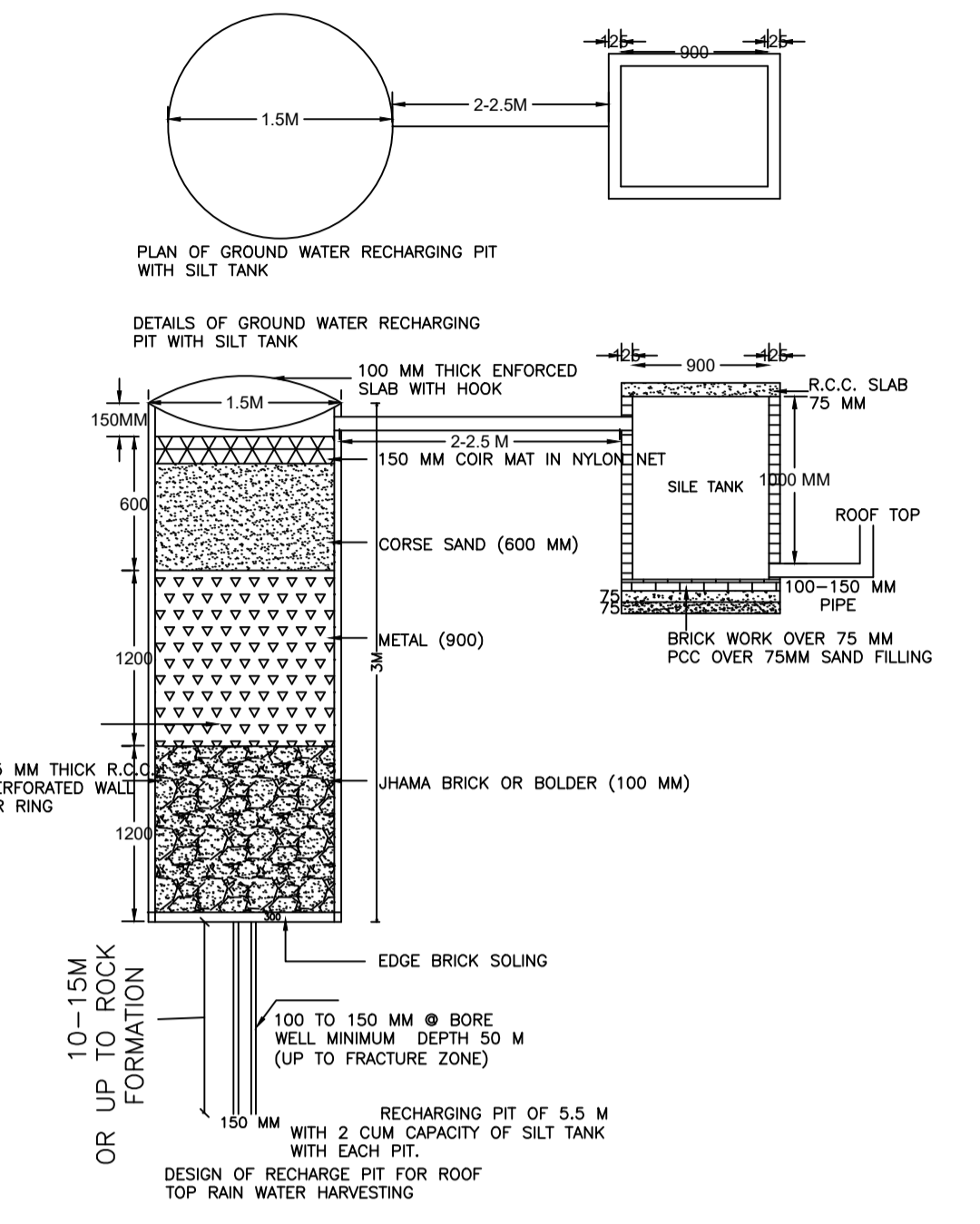
LTP NAME AND SIGNATURE	STRUCTURAL ENG'S NAME AND SIGNATURE	BUILDER NAME AND SIGNATURE
RANJIT KUMAR MNP/ENG/0001/2016		



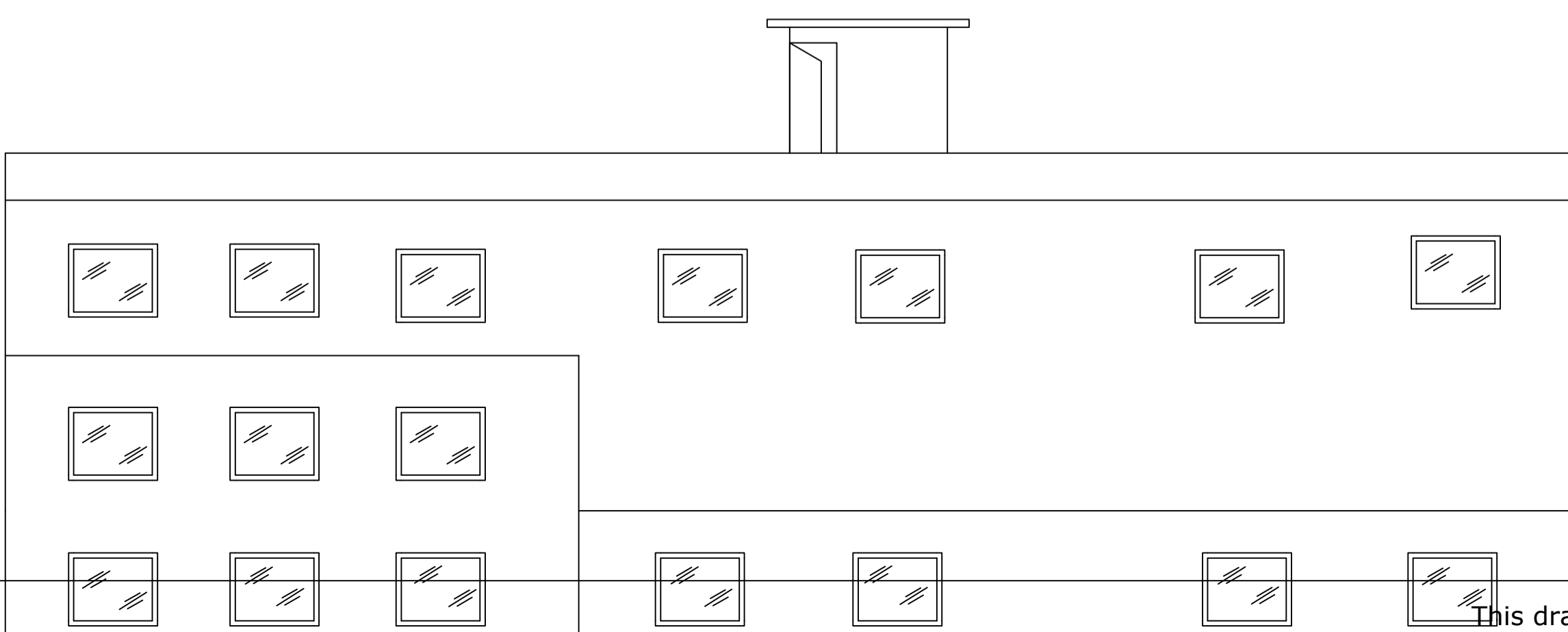
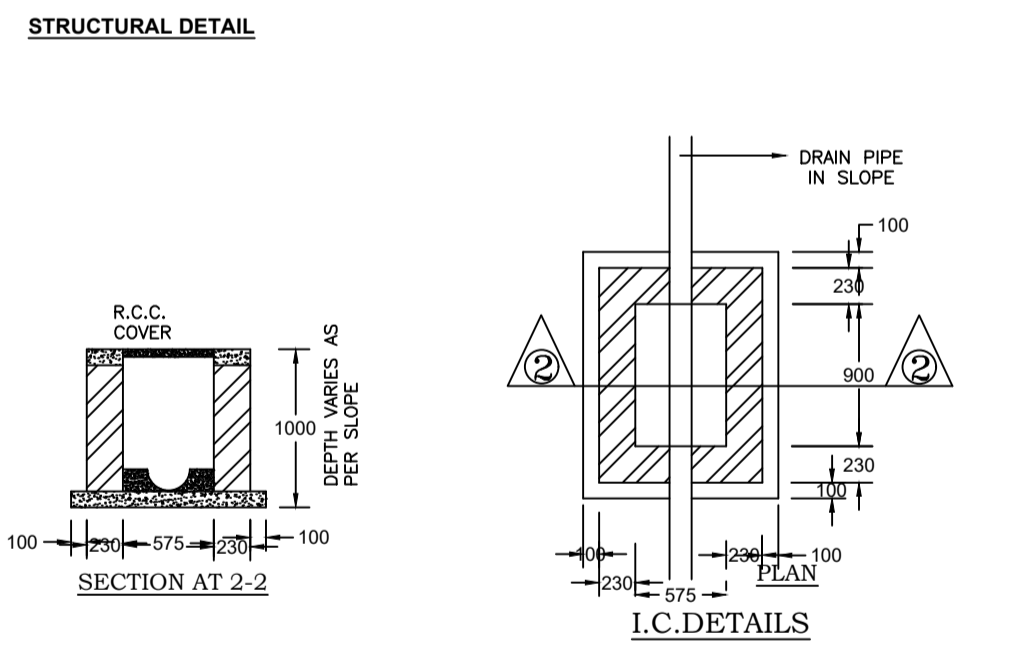
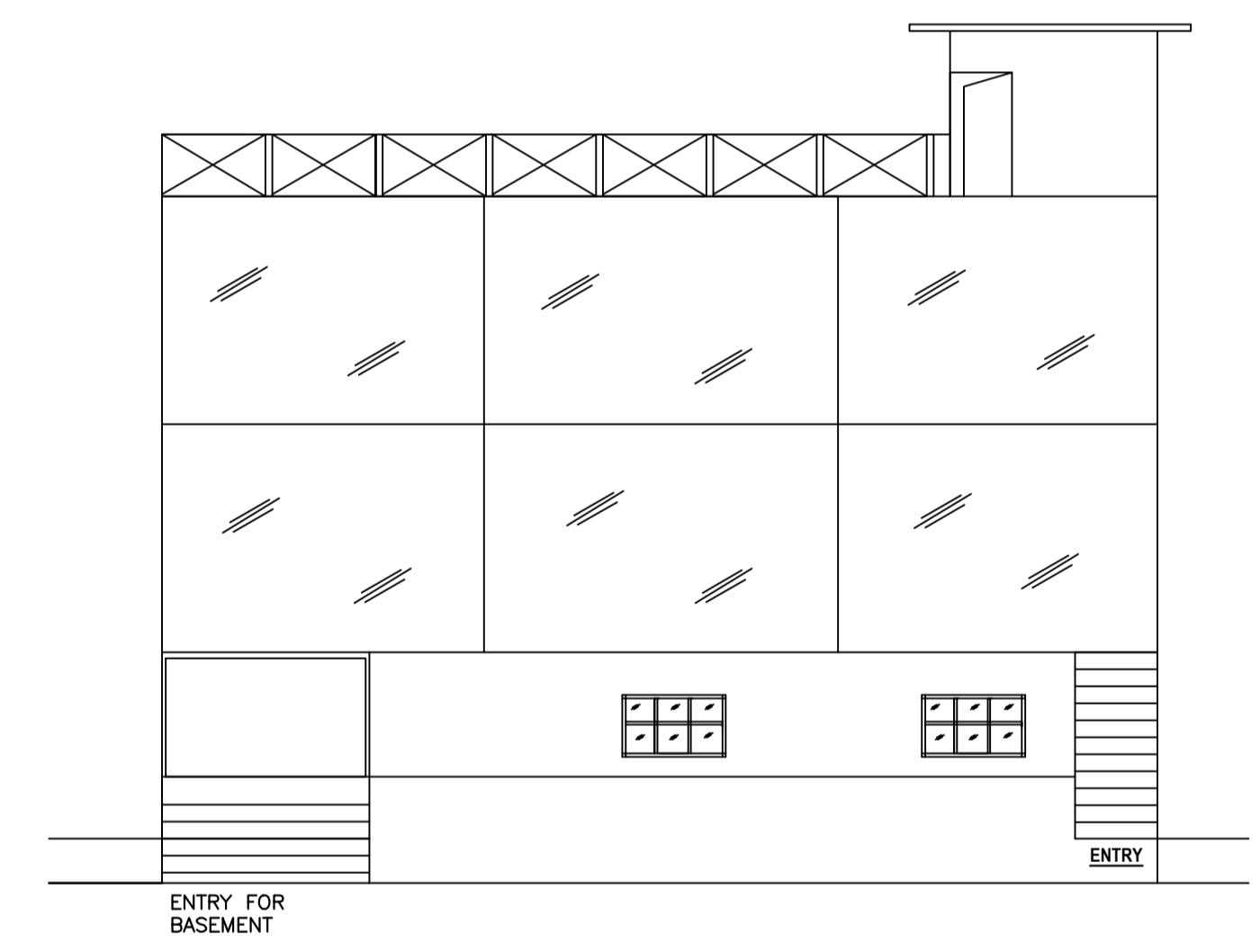
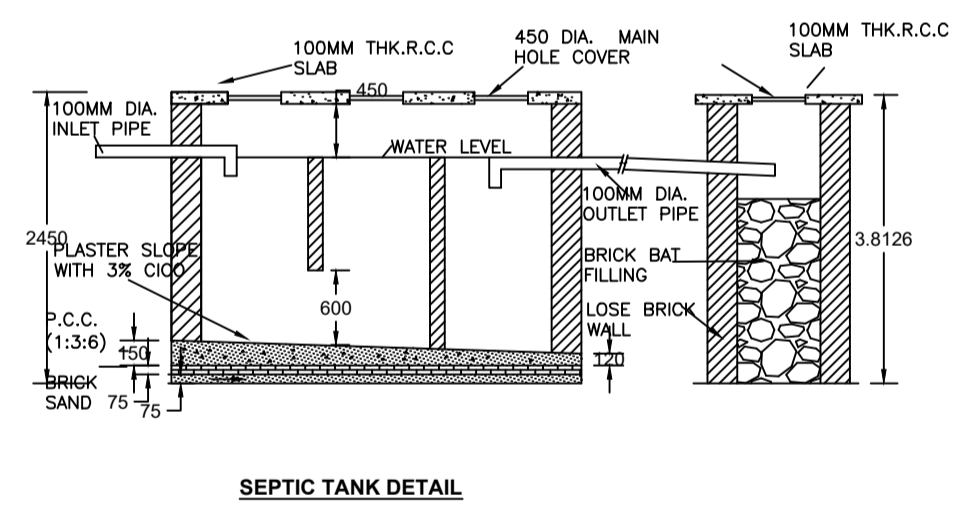
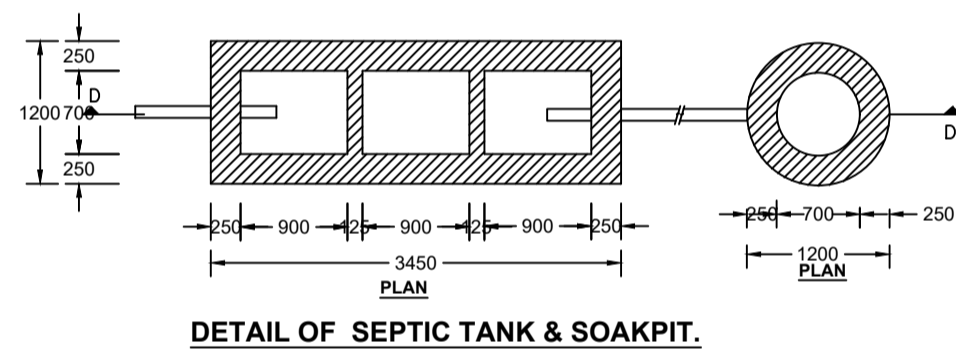
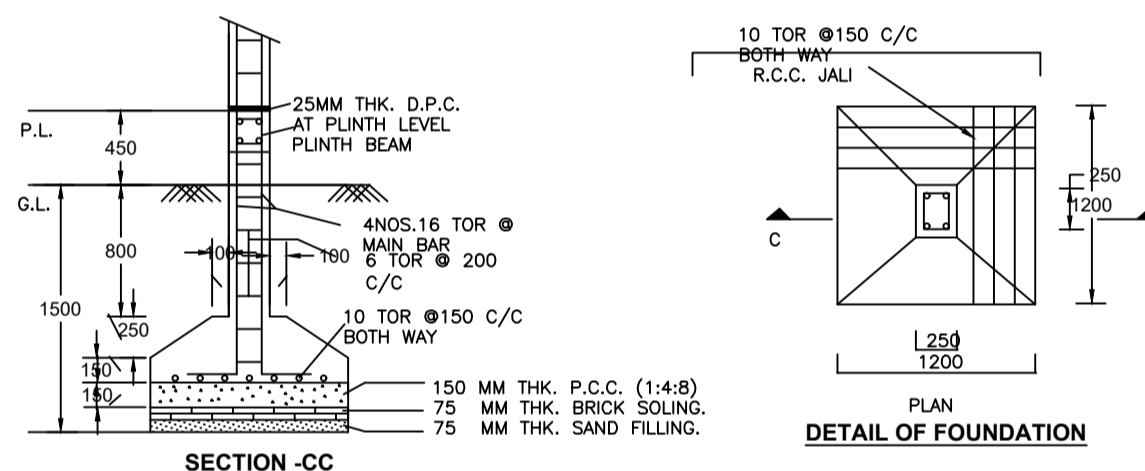
**SECTION ON-XX**



**SECTION ON-YY**



**RAIN WATER STORAGE TANKL DETAIL**



LTP NAME AND SIGNATURE	STRUCTURAL ENG'S NAME AND SIGNATURE	BUILDER NAME AND SIGNATURE
RANJIT KUMAR MNP/ENG/0001/2016		