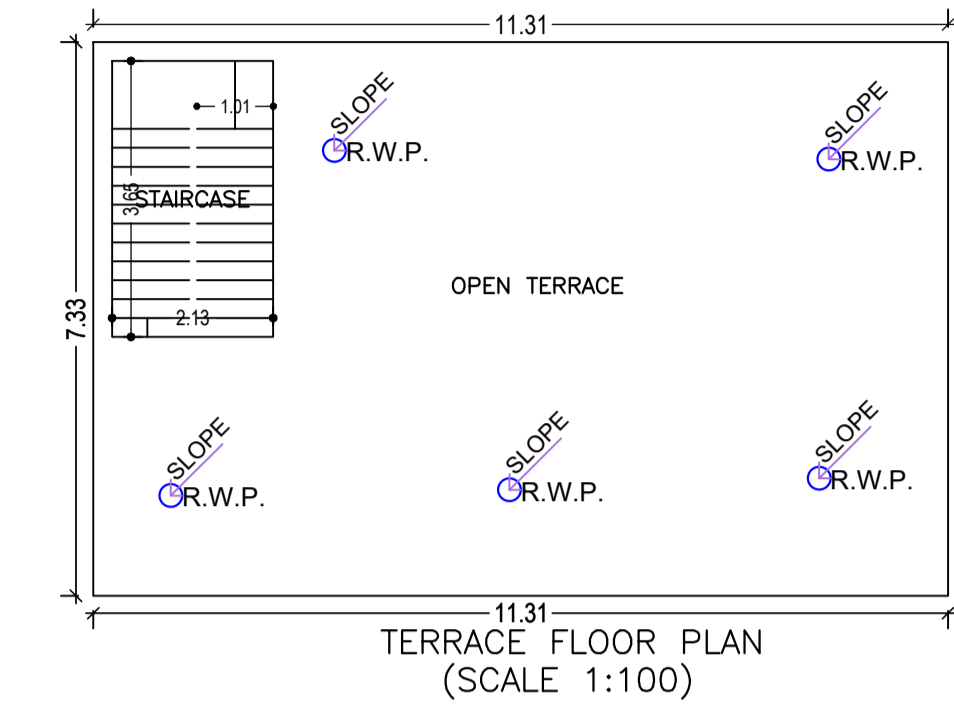
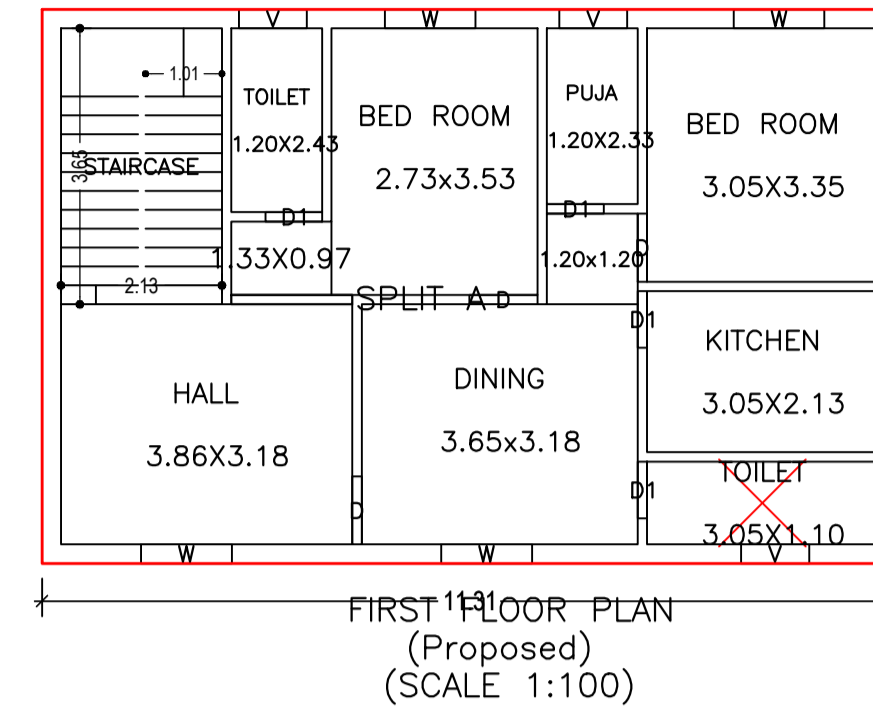
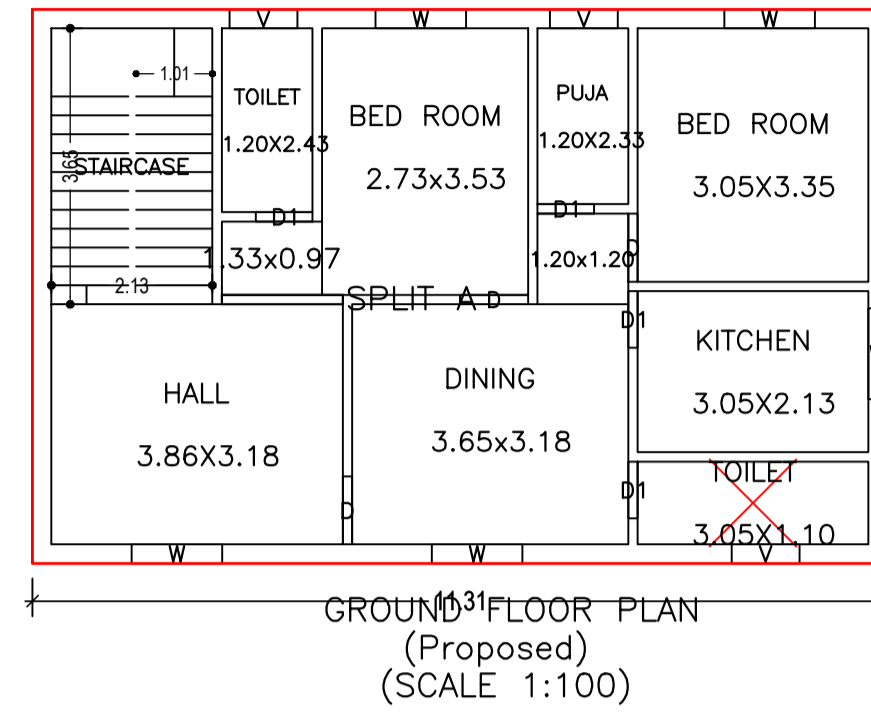
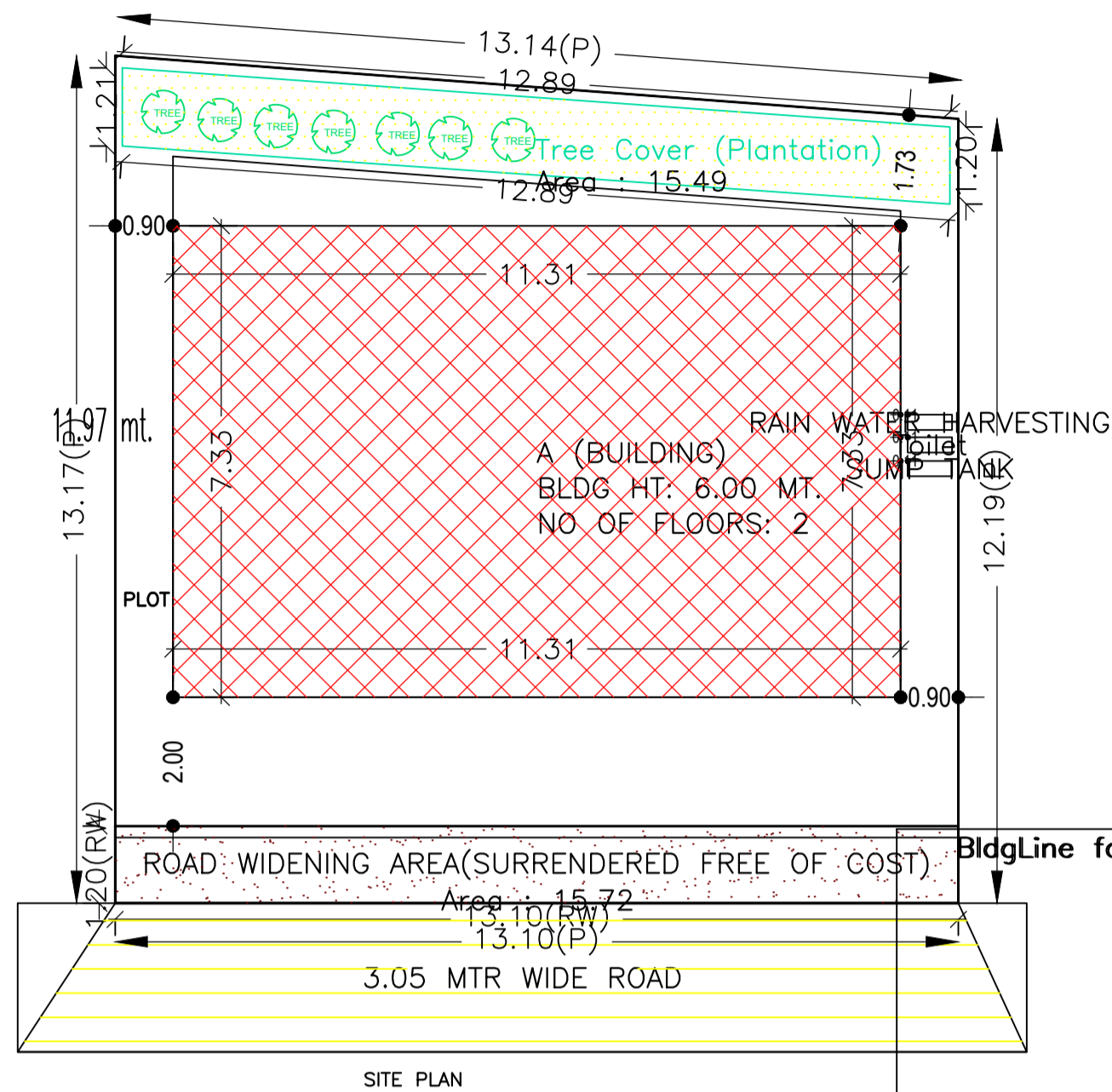
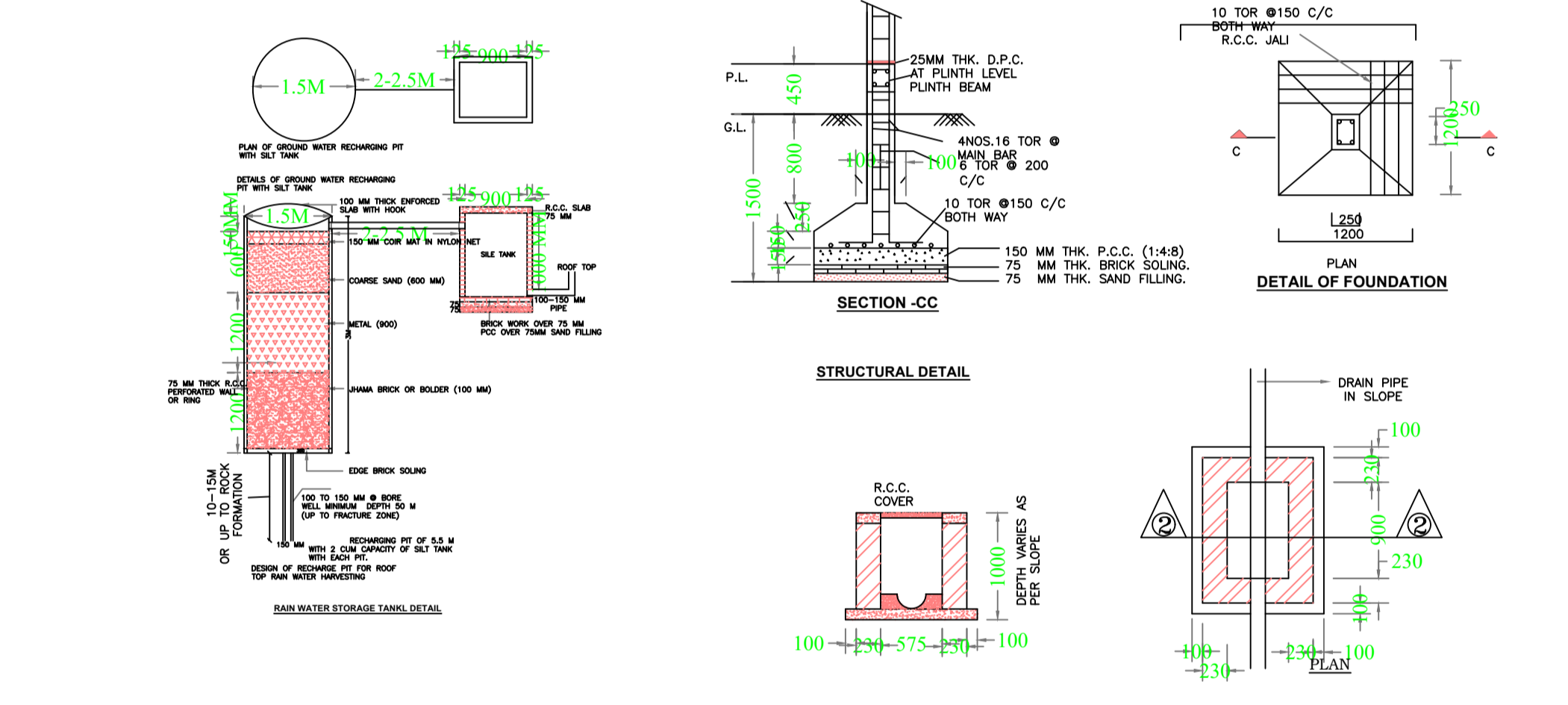
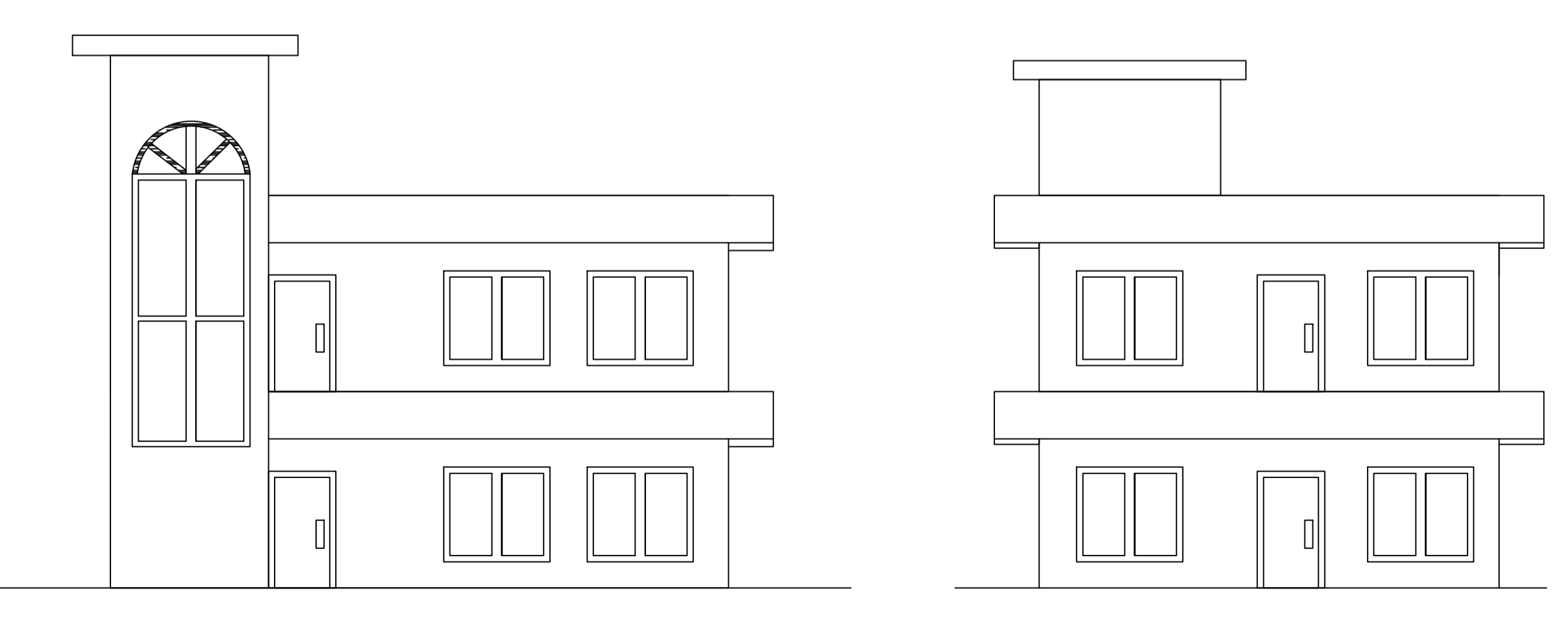
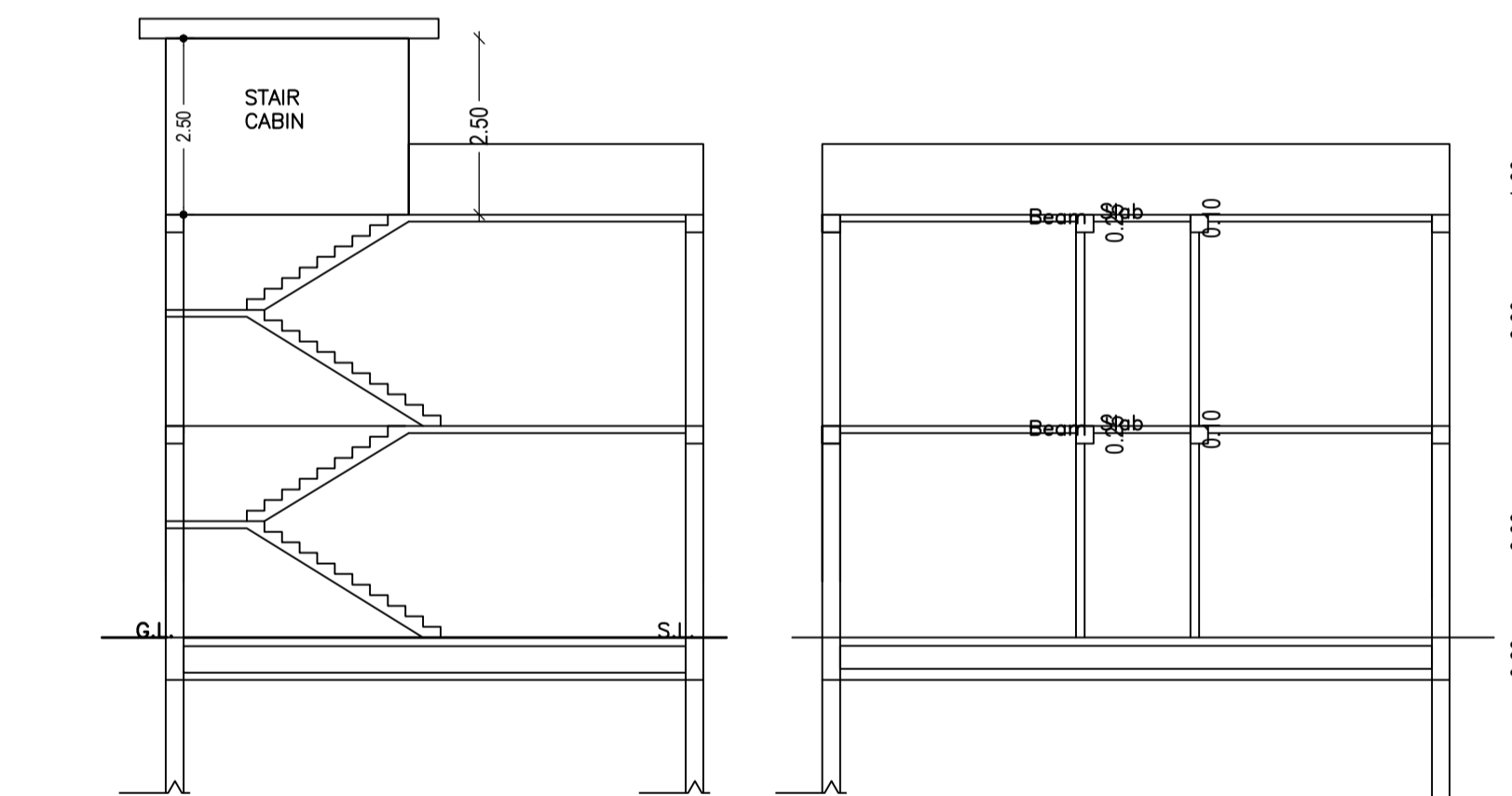


Proposal Basic Information	
Proposal File No.	MNNP/BP/0191/W04/2021
Owner Name	AMRITA DEVI
Khata No	192
Plot No	40
Village Name	Baralota Rodma
Use	Residential
SubUse	Bungalow/ Dwelling / Non Apartment

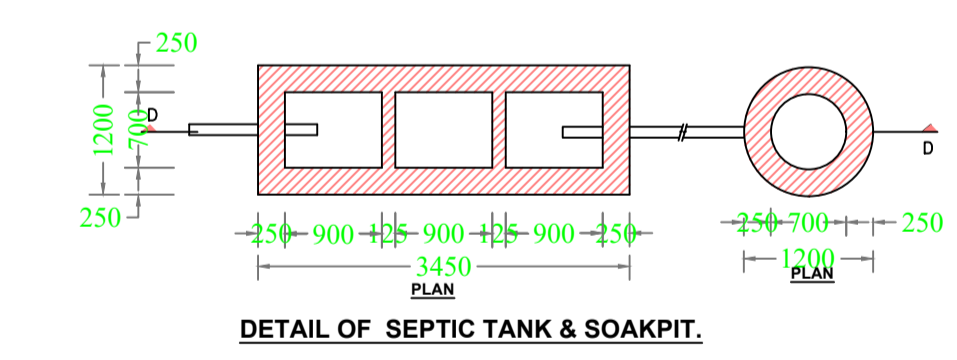


AREA STATEMENT		VERSION NO. : 1.0.62
MEDININAGAR MUNICIPAL CORPORATION		VERSION DATE: 16/10/2020
PROJECT DETAIL:		
Region: JHARKHAND URBAN LOCAL BODIES	Plot Use: Residential	
District: PALAMU	Plot SubUse: Bungalow/ Dwelling / Non Apartment	
Authority: MEDININAGAR MUNICIPAL CORPORATION	PlotNearby/ReligiousStructure: NA	
Inward No: MNNP/BP/0191/W04/2021	Plot/SubPlot No: 40	
Application Type: General Proposal	North: -	
Project Type: Building Permission	South: -	
Nature of Development: New	East: -	
Location of Development Area: Old Area	West: -	
AREA DETAIL S:		
AREA OF PLOT (Minimum)	(A)	160.90
Deduction for NetPlot Area		
Surrender Free of Cost		15.72
Total		15.72
NET AREA OF PLOT(Gross Plot Area - Deduction from Gross Plot area)	(A-Deductions)	145.18
Deduction for Balance Plot Area(from Gross Plot Area)		
Surrender Free of Cost		15.72
Common Plot		15.49
Total		31.21
BALANCE AREA OF PLOT(Net Plot Area - Recreational/Amenity space)	(A-Deductions)	129.69
PLOT AREA FOR COVERAGE(Net Plot Area)	(A-Deductions)	145.18
Plot Area for FAR (Net Plot Area + RoadWidening Area)	(A-Deductions)	160.90
COVERAGE CHECK		
Permissible Coverage area (70.04 %)		101.63
Proposed Coverage Area (57.04 %)		82.81
Total Prop. Coverage Area (57.04 %)		82.81
Balance coverage area (12.96 %)		18.82
FAR CHECK		
Perm. FAR Area (1.20)		193.08
Total Perm. FAR area		193.08
Residential FAR		165.63
Proposed FAR Area		165.63
Total Proposed FAR Area		165.63
Consumed FAR (Factor)		1.03
Balance FAR Area		27.45
BUILT UP AREA CHECK		
Total Proposed BuiltUp Area		165.62
ARCHITECT (Regd)		
ENGINEER (Regd)		RANJIT KUMAR
SUPERVISOR (Regd)		
OWNER (Regd)		AMRITA DEVI
DEVELOPMENT AUTHORITY		LOCAL BODY



Building :A (BUILDING)

Floor Name	Total Built Up Area (Sq.mt.)	Proposed FAR Area (Sq.mt.) Resi.	Total FAR Area (Sq.mt.)	Total Consumed Additional FAR Area (Sq.mt.)	Tnmt (No.)
Ground Floor	82.81	82.81	82.81	82.81	01
First Floor	82.81	82.81	82.81	82.81	00
Terrace Floor	0.00	0.00	0.00	0.00	00
Total	165.62	165.62	165.62	165.62	01
Total Number of Same Buildings	1				
Total :	165.62	165.62	165.62	165.62	01



COLOR INDEX

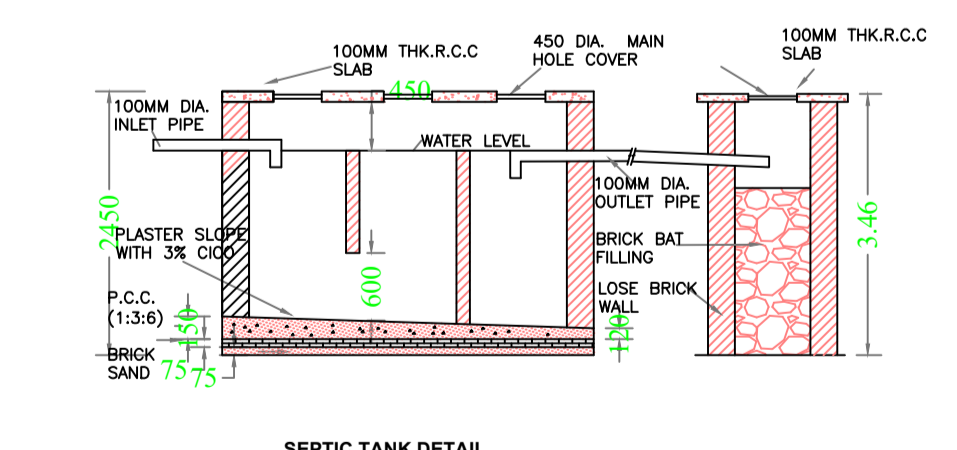
PLOT BOUNDARY	Black
ABUTTING ROAD	Green
PROPOSED CONSTRUCTION	Red
COMMON PLOT	Yellow
ROAD WIDENING AREA	Blue
EXISTING (To be retained)	Orange
EXISTING (To be demolished)	White

SCHEDULE OF DOOR:

BUILDING NAME	NAME	LENGTH	HEIGHT	NOS
A (BUILDING)	D1	0.75	2.10	08
A (BUILDING)	D	0.90	2.10	06

SCHEDULE OF WINDOW/VENTILATION:

BUILDING NAME	NAME	LENGTH	HEIGHT	NOS
A (BUILDING)	V	0.90	0.60	06
A (BUILDING)	W	1.20	1.20	10



UnitBUA Table for Building :A (BUILDING)

FLOOR	Name	UnitBUA Type	UnitBUA Area	Carpet Area	No. of Rooms	No. of Tenement
GROUND FLOOR PLAN	SPLIT A	FLAT	147.06	146.66	8	1
FIRST FLOOR PLAN	SPLIT A	FLAT	0.00	0.00	8	0
Total:	-	-	147.06	146.66	16	1

Buildingwise Floor FAR Details

Floor Name	Building Name A (BUILDING)		Total	
	Proposed Built Up Area (Sq.mt.)	Proposed FAR Area (Sq.mt.)	Total Proposed Built Up Area (Sq.mt.)	Total FAR Area (Sq.mt.)
Ground Floor	82.81	82.81	82.81	82.81
First Floor	82.81	82.81	82.81	82.81
Terrace Floor	0.00	0.00	0.00	0.00
Total :	165.62	165.62	165.62	165.62

Building USE/SUBUSE Details

Building Name	Building Use	Building SubUse	Building Structure
A (BUILDING)	Residential	Bungalow/ Dwelling / Non Apartment	Non-Highrise

FAR & Tenement Details (Table 4c-1)

Building	No. of Same Bldg	Total Built Up Area (Sq.mt.)	Proposed FAR Area (Sq.mt.) Resi.	Total FAR Area (Sq.mt.)	Total Consumed Additional FAR Area (Sq.mt.)	Tnmt (No.)
A (BUILDING)	1	165.62	165.62	165.62	165.62	01
Grand Total :	1	165.62	165.62	165.62	165.62	01

LTP NAME AND SIGNATURE	STRUCTURAL ENG'S NAME AND SIGNATURE	BUILDER NAME AND SIGNATURE	DIGITAL SIGNATURE
RANJIT KUMAR MNNP/ENG/0001/2016			