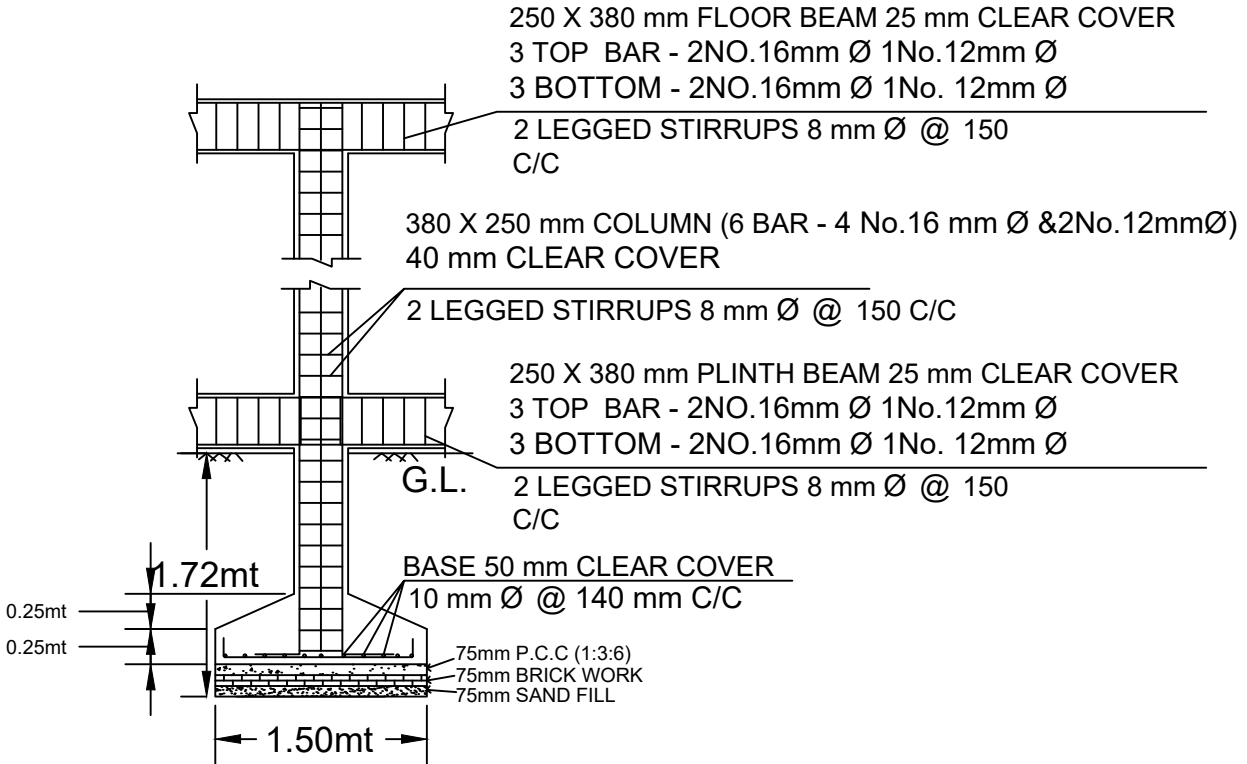
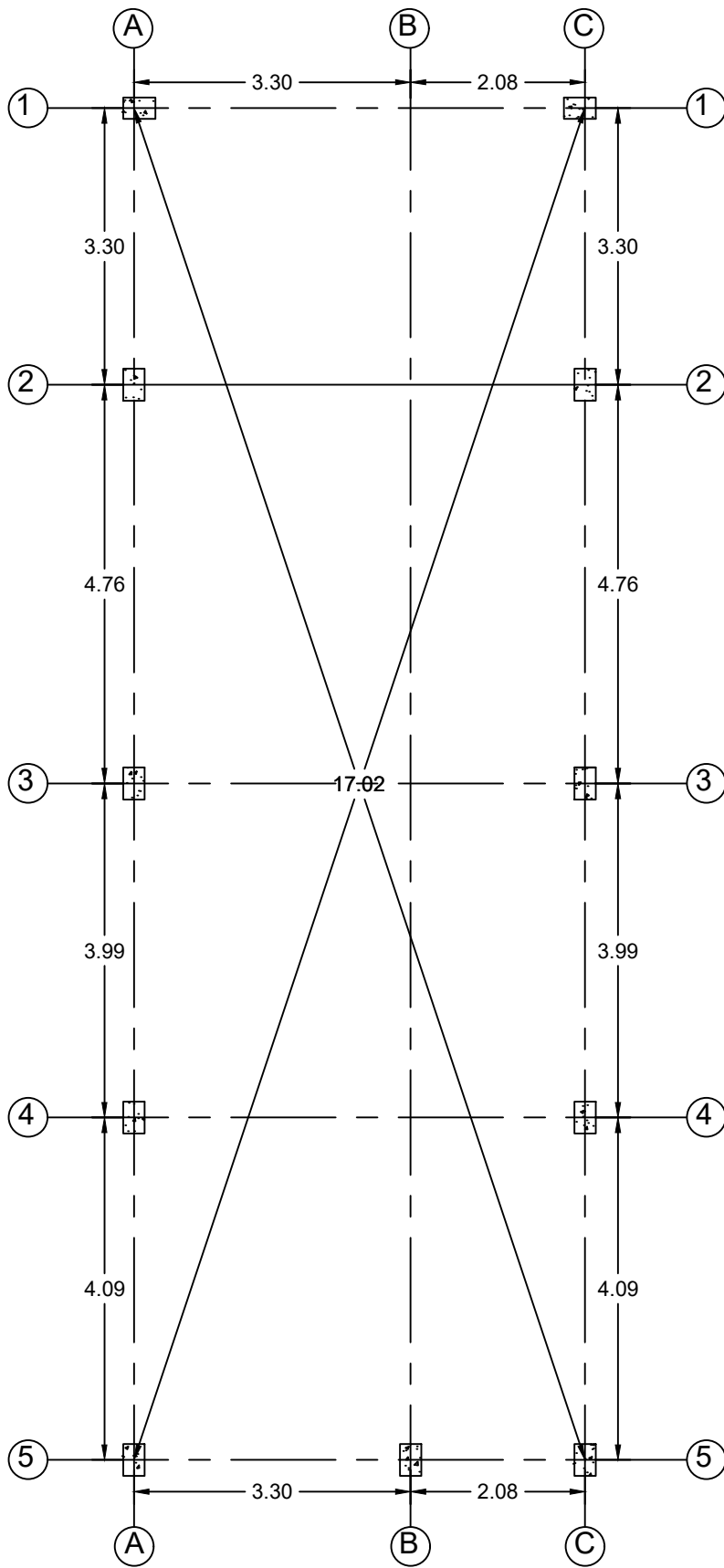


FOUNDATION PLAN



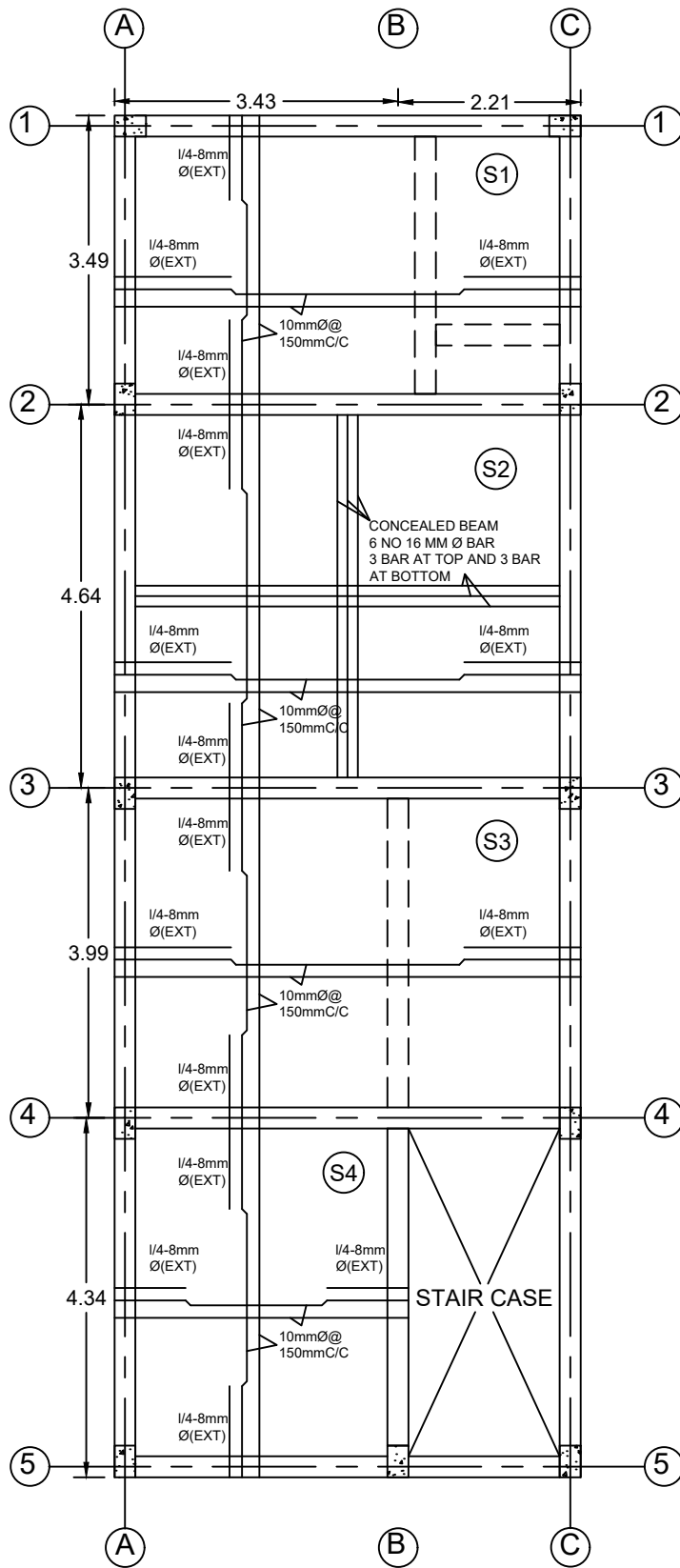
SECTION AT C-C'

STRUCTURE DETAILS
 SCALE 1:100



COLUMN LAYOUT PLAN

SCALE 1:100



SLAB DETAILS

SCALE 1:100