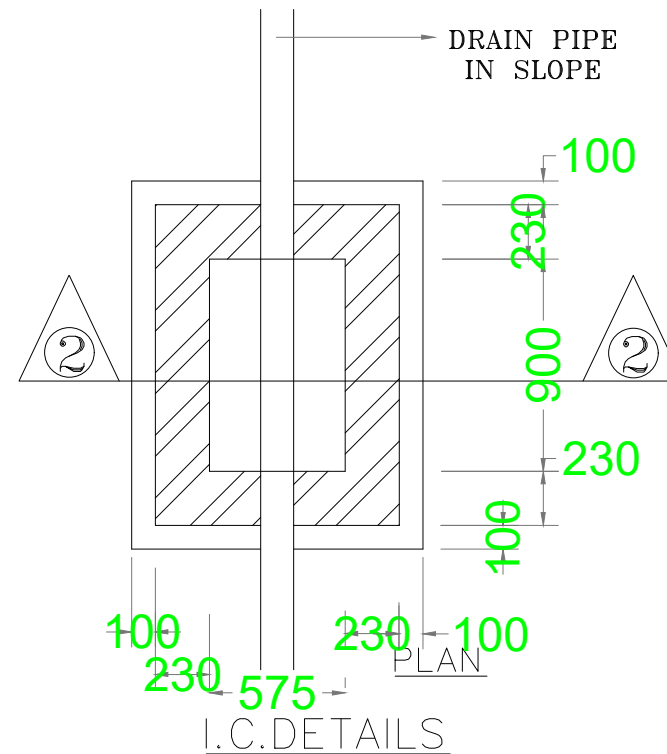
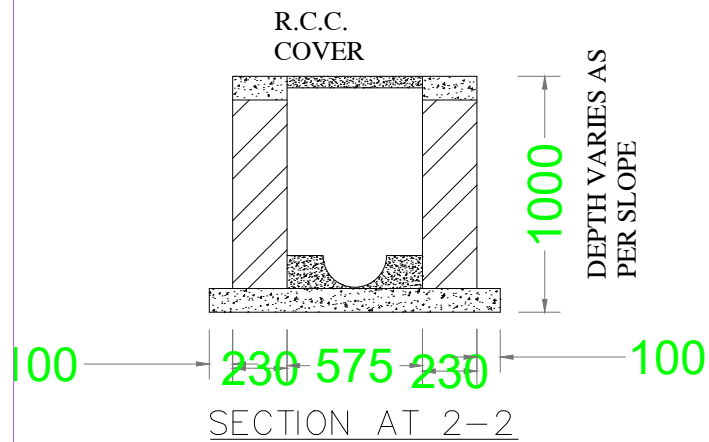


PLAN
DETAIL OF FOUNDATION



STRUCTURE DETAIL