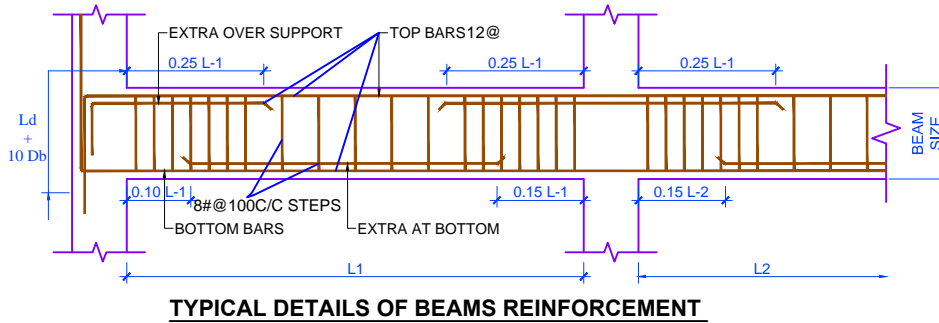
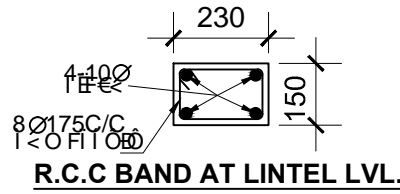
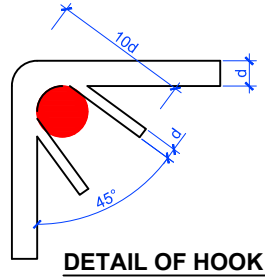
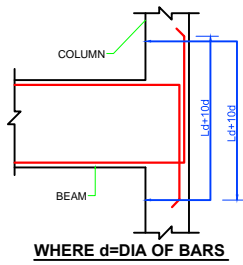
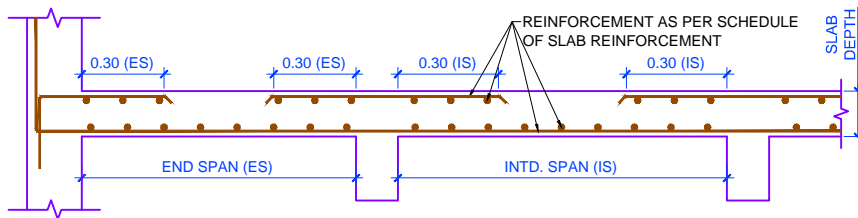


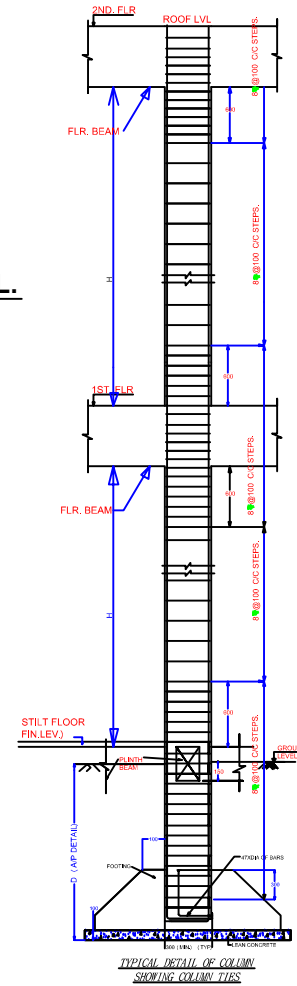
DETAIL OF SLAB S-5



TYPICAL DETAILS OF BEAMS REINFORCEMENT



TYPICAL REINFORCEMENT OF SLAB



TYPICAL DETAIL OF COLUMN SHOWING COLUMN TIES