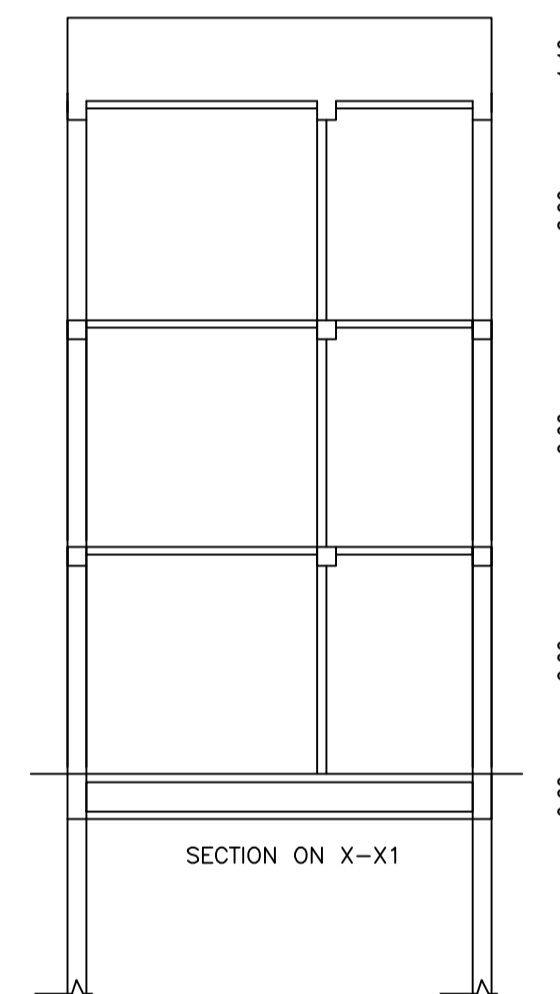
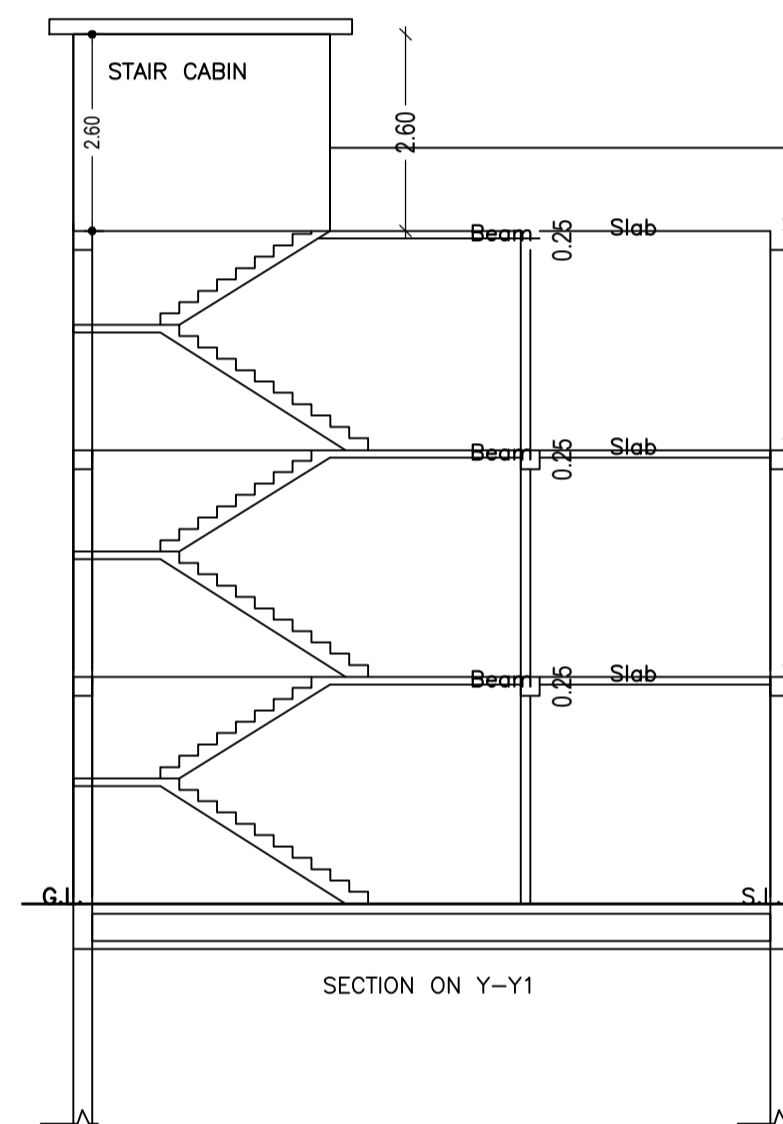
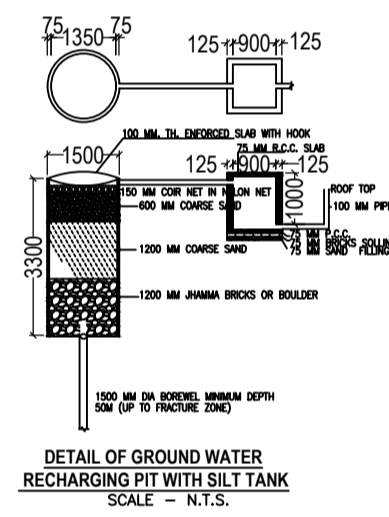
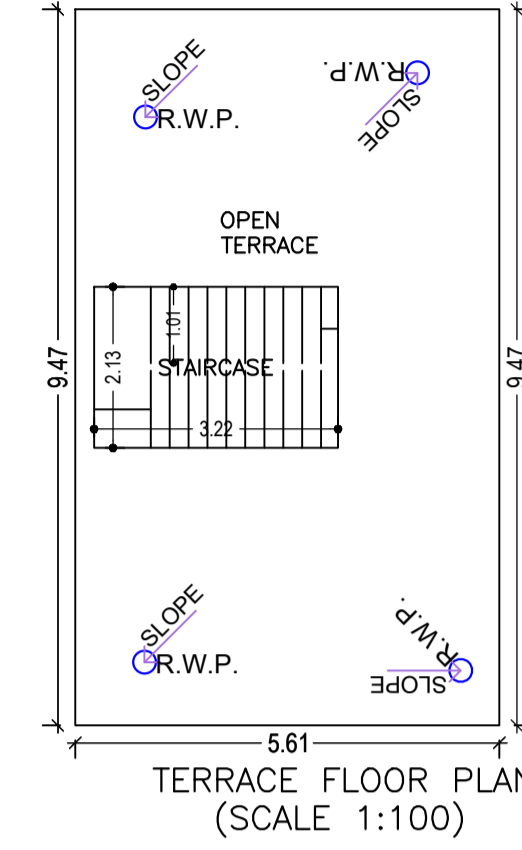
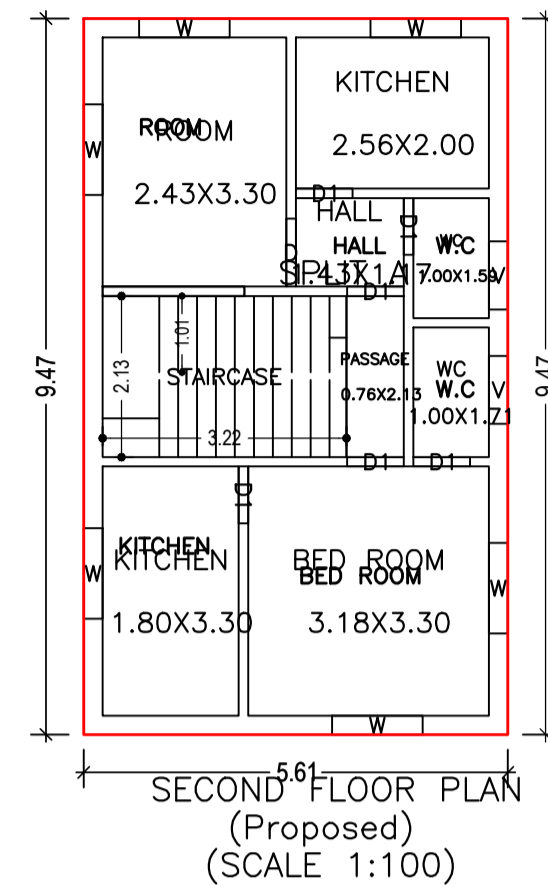
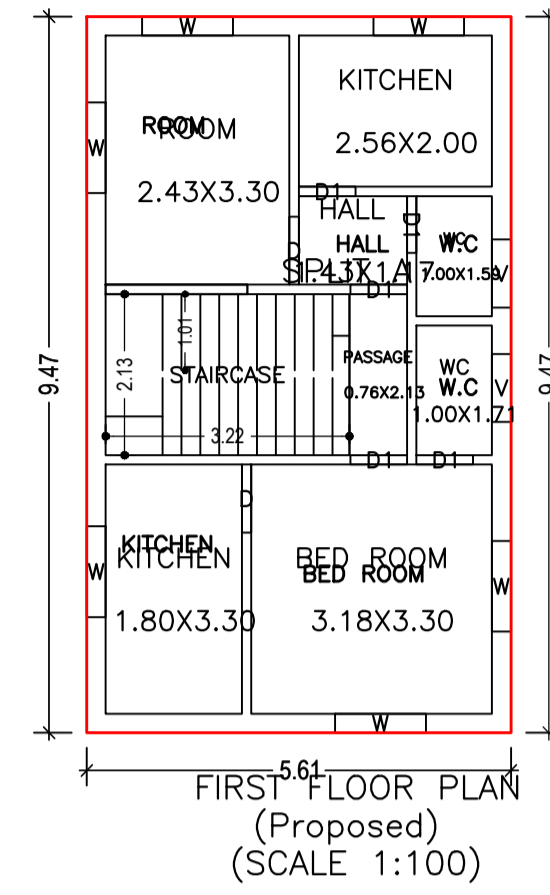
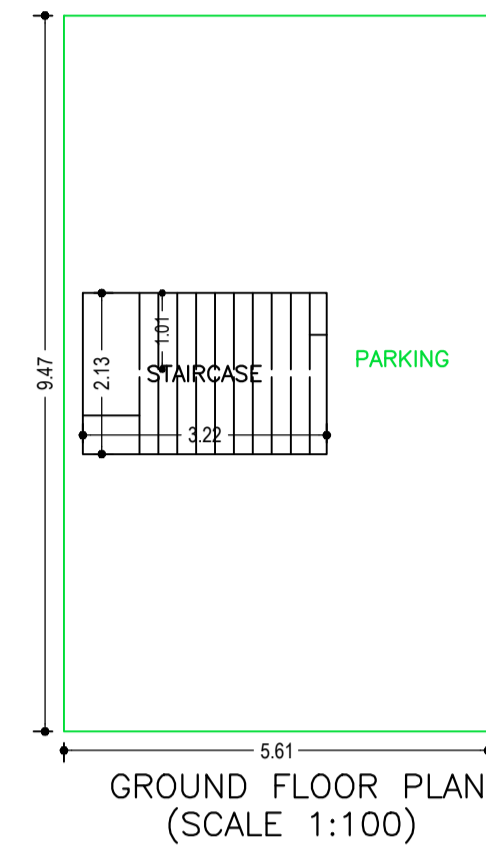
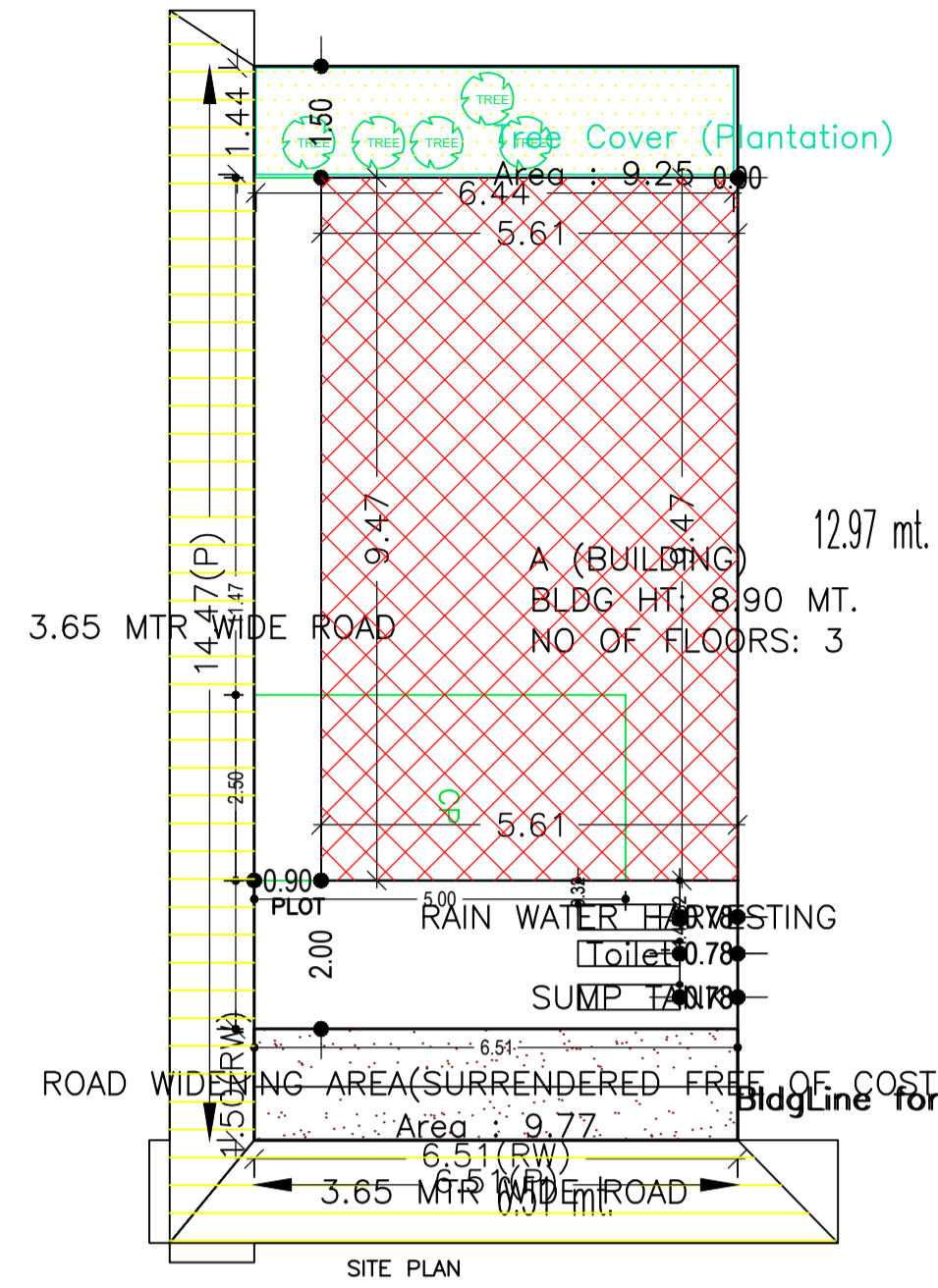


Proposal Basic Information	
Proposal File No.	MNNP/0094/W07/2021
Owner Name	MUKTA PANDEY
Khata No	102
Plot No	1211
Village Name	Rodma
Use	Residential
SubUse	Bungalow/ Dwelling / Non Apartment



AREA STATEMENT MEDININAGAR MUNICIPAL CORPORATION	VERSION NO.: 1.0.61 VERSION DATE: 16/10/2020
PROJECT DETAIL:	
Region: JHARKHAND URBAN LOCAL BODIES	Plot Use: Residential
District: PALAMU	Plot SubUse: Bungalow/ Dwelling / Non Apartment
Authority: MEDININAGAR MUNICIPAL CORPORATION	PlotNearby/ReligiousStructure: NA
Inward No: MNNP/0094/W07/2021	Plot/SubPlot No: 1211
Application Type: General Proposal	North: -
Project Type: Building Permission	South: -
Nature of Development: New	East: -
Location of Development Area: Old Area	West: -
AREA DETAILS:	
AREA OF PLOT (Minimum)	(A) 92.15 SQ.MT.
Deduction for NetPlot Area	
Surrender Free of Cost	9.77
Total	9.77
NET AREA OF PLOT(Gross Plot Area - Deduction from Gross Plot Area)	(A-Deductions) 82.39
Deduction for Balance Plot Area(from Gross Plot Area)	
Surrender Free of Cost	9.77
Common Plot	9.25
Total	19.02
BALANCE AREA OF PLOT(Net Plot Area - Recreational/Amenity space)	(A-Deductions) 73.13
PLOT AREA FOR COVERAGE(Net Plot Area)	(A-Deductions) 82.39
Plot Area for FAR (Net Plot Area + Road/Widening Area)	(A-Deductions) 92.15
COVERAGE CHECK	
Permissible Coverage area (70.00 %)	57.67
Proposed Coverage Area (64.49 %)	53.13
Total Prop. Coverage Area (64.49 %)	53.13
Balance coverage area (5.51 %)	4.54
FAR CHECK	
Perm. FAR Area (1.50)	138.23
Total Perm. FAR area	138.23
Residential FAR	106.25
Proposed FAR Area	113.12
Total Proposed FAR Area	113.12
Consumed FAR (Factor)	1.23
Balance FAR Area	25.11
BUILT UP AREA CHECK	
Total Proposed BuiltUp Area	159.39
ARCHITECT (Regd)	RANJIT KUMAR
ENGINEER (Regd)	
SUPERVISOR (Regd)	
OWNER (Regd)	MUKTA PANDEY
DEVELOPMENT AUTHORITY LOCAL BODY	

COLOR INDEX	
PLOT BOUNDARY	Black
ABUTTING ROAD	Green
PROPOSED CONSTRUCTION	Red
COMMON PLOT	Yellow
ROAD WIDENING AREA	Blue
EXISTING (To be retained)	Orange
EXISTING (To be demolished)	Light Blue

Building :A (BUILDING)

Floor Name	Total Built Up Area (Sq.mt.)	Deductions (Area in Sq.mt.)		Proposed FAR Area (Sq.mt.)	Add Area in FAR (Sq.mt.)	Total FAR Area (Sq.mt.)	Total Consumed Additional FAR Area (Sq.mt.)	Tnmt (No.)
		Parking	Resi.					
Ground Floor	53.13	46.26	0.00	6.87	6.87	6.87	6.87	00
First Floor	53.13	0.00	53.13	0.00	53.13	53.13	53.13	01
Second Floor	53.13	0.00	53.13	0.00	53.13	53.13	53.13	00
Terrace Floor	0.00	0.00	0.00	0.00	0.00	0.00	0.00	00
Total	159.39	46.26	106.26	6.87	113.13	113.13	113.13	01
Total Number of Same Buildings	1							
Total	159.39	46.26	106.26	6.87	113.13	113.13	113.13	01

SCHEDULE OF DOOR:

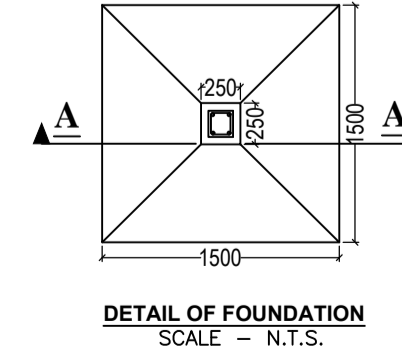
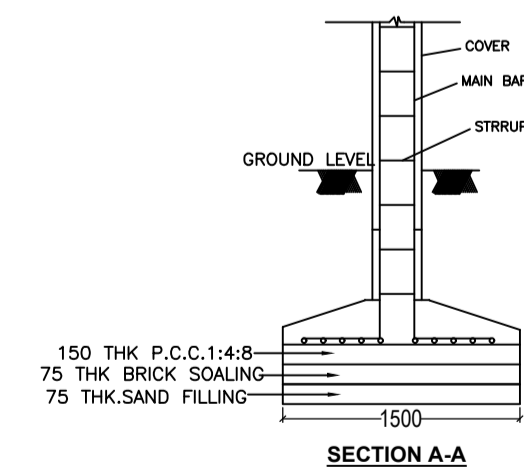
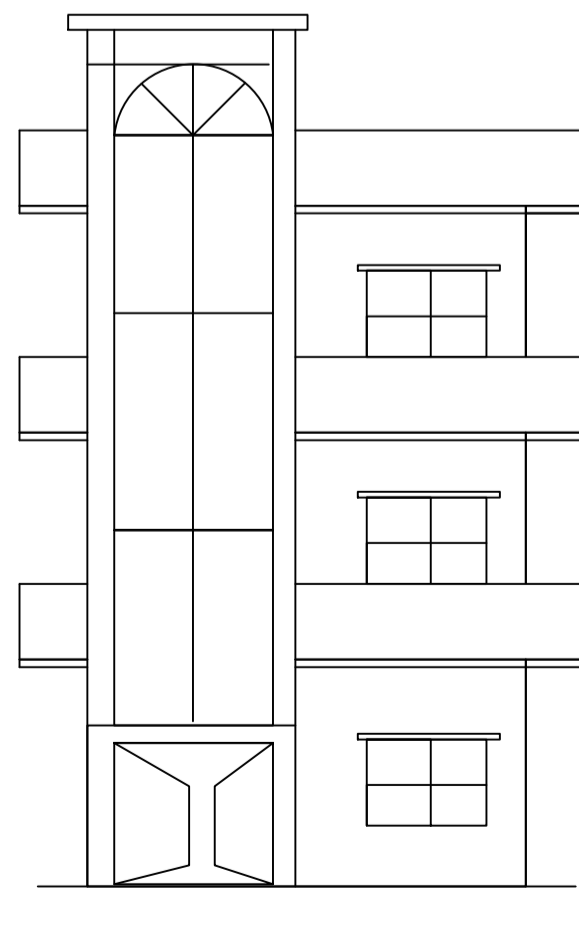
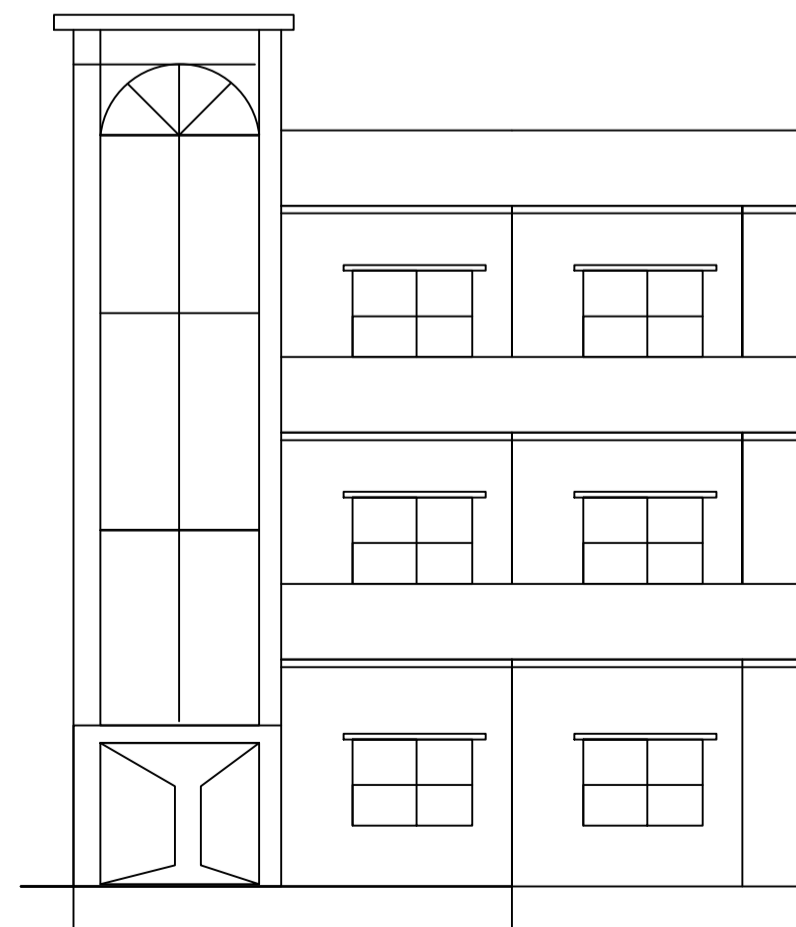
BUILDING NAME	NAME	LENGTH	HEIGHT	NOS
A (BUILDING)	D1	0.75	2.10	11
A (BUILDING)	D	0.90	2.10	03

SCHEDULE OF WINDOW/VENTILATION:

BUILDING NAME	NAME	LENGTH	HEIGHT	NOS
A (BUILDING)	V	0.90	0.60	04
A (BUILDING)	W	1.20	1.20	12

UnitBUA Table for Building :A (BUILDING)

FLOOR	Name	UnitBUA Type	UnitBUA Area	Carpet Area	No. of Rooms	No. of Tenement
FIRST FLOOR PLAN	SPLIT A	FLAT	91.45	90.98	8	1
SECOND FLOOR PLAN	SPLIT A	FLAT	0.00	0.00	8	0
Total	-	-	91.45	90.98	16	1



Buildingwise Floor FAR Details

Floor Name	Building Name A (BUILDING)		Total	
	Proposed Built Up Area (Sq.mt.)	Proposed FAR Area (Sq.mt.)	Total Proposed Built Up Area (Sq.mt.)	Total FAR Area (Sq.mt.)
Ground Floor	53.13	6.87	53.13	6.87
First Floor	53.13	53.13	53.13	53.13
Second Floor	53.13	53.13	53.13	53.13
Terrace Floor	0.00	0.00	0.00	0.00
Total	159.39	113.13	159.39	113.13

Building USE/SUBUSE Details

Building Name	Building Use	Building SubUse	Building Structure
A (BUILDING)	Residential	Bungalow/ Dwelling / Non Apartment	Non-Highrise

FAR & Tenement Details (Table 4c-1)

Building	No. of Same Bldg	Total Built Up Area (Sq.mt.)	Deductions (Area in Sq.mt.)	Proposed FAR Area (Sq.mt.)	Add Area in FAR (Sq.mt.)	Total FAR Area (Sq.mt.)	Total Consumed Additional FAR Area (Sq.mt.)	Tnmt (No.)
A (BUILDING)	1	159.39	46.26	106.26	6.87	113.13	113.13	01
Grand Total	1	159.39	46.26	106.26	6.87	113.13	113.13	01

LTP NAME AND SIGNATURE	STRUCTURAL ENG'S NAME AND SIGNATURE	BUILDER NAME AND SIGNATURE	DIGITAL SIGNATURE
RANJIT KUMAR MNNP/ENG/0001/2016			