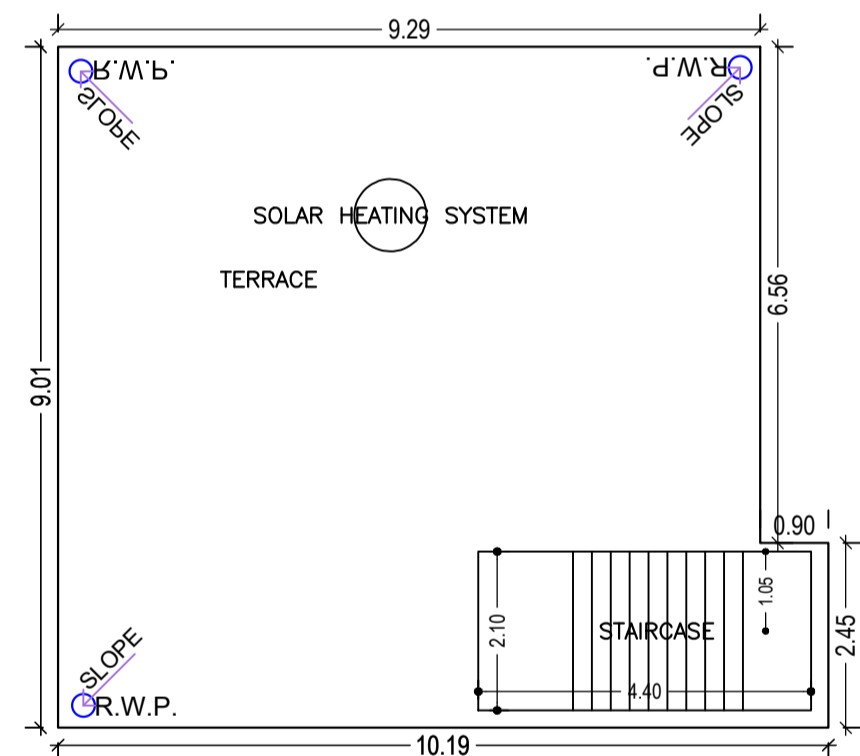


GROUND FLOOR PLAN (Proposed) (SCALE 1:100)



TERRACE FLOOR PLAN (SCALE 1:100)

Building :A (RESIDENTIAL)

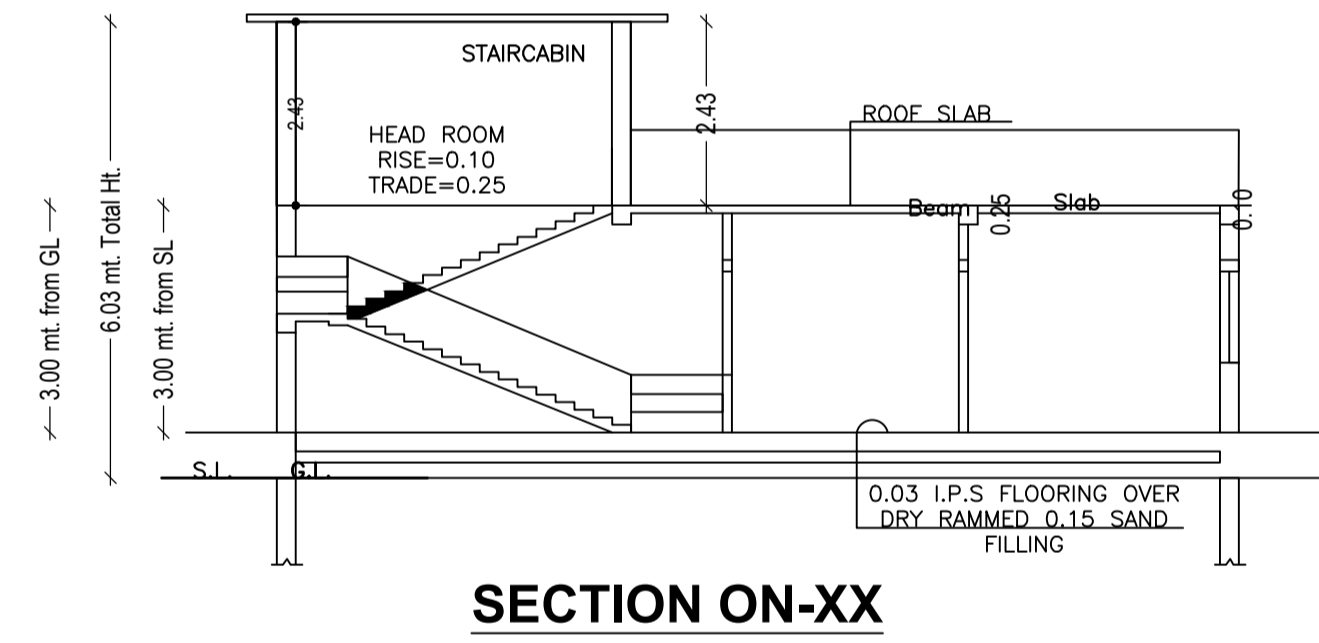
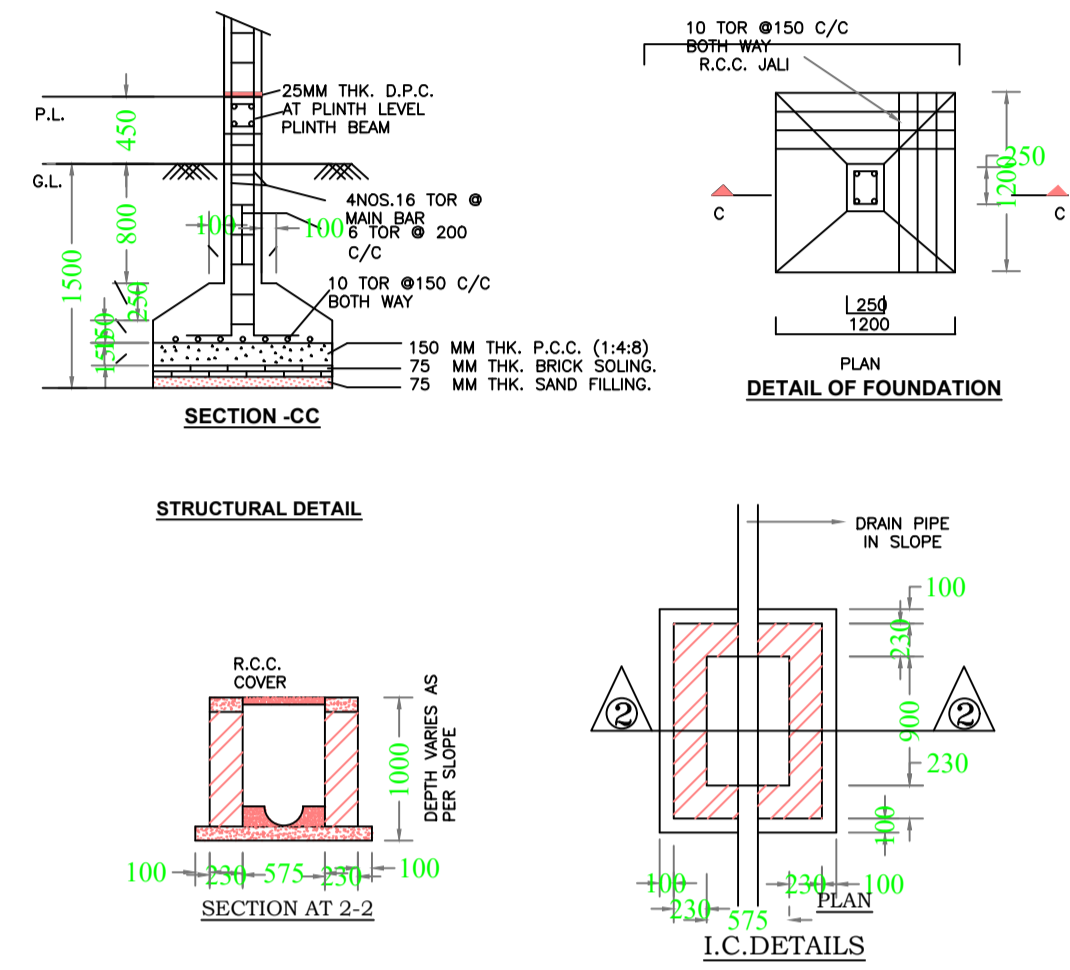
Floor Name	Total Built Up Area (Sq.mt.)	Proposed FAR Area (Sq.mt.) Resi.	Total FAR Area (Sq.mt.)	Total Consumed Additional FAR Area (Sq.mt.)	Tnmt (No.)
Ground Floor	83.67	83.67	83.67	83.67	01
Terrace Floor	0.00	0.00	0.00	0.00	00
Total :	83.67	83.67	83.67	83.67	01
Total Number of Same Buildings	1				
Total :	83.67	83.67	83.67	83.67	01

SCHEDULE OF DOOR:

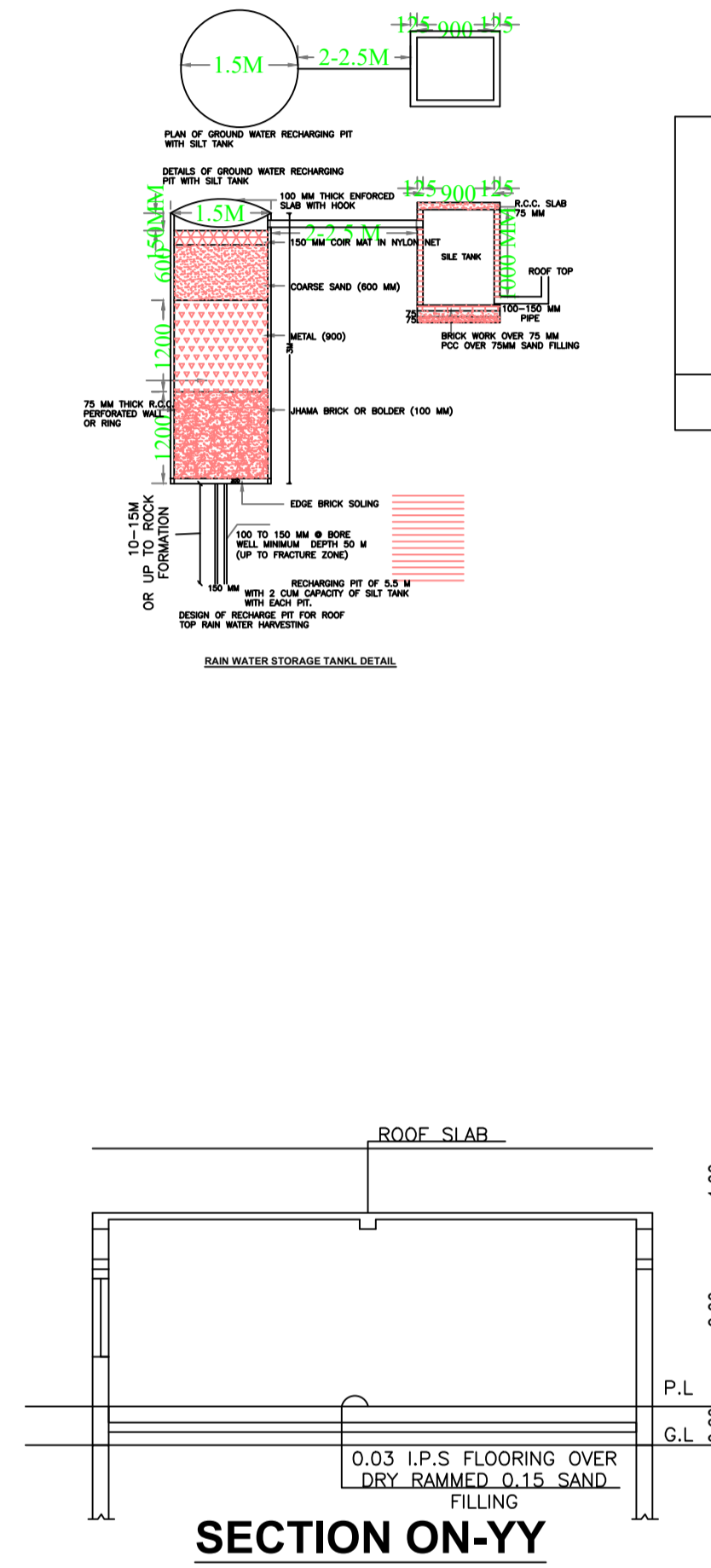
BUILDING NAME	NAME	LENGTH	HEIGHT	NOS
A (RESIDENTIAL)	D2	0.75	2.10	01
A (RESIDENTIAL)	D	0.79	2.10	01
A (RESIDENTIAL)	D1	0.90	2.10	01
A (RESIDENTIAL)	D	1.00	2.10	02
A (RESIDENTIAL)	D	1.20	2.10	01

SCHEDULE OF WINDOW/VENTILATION:

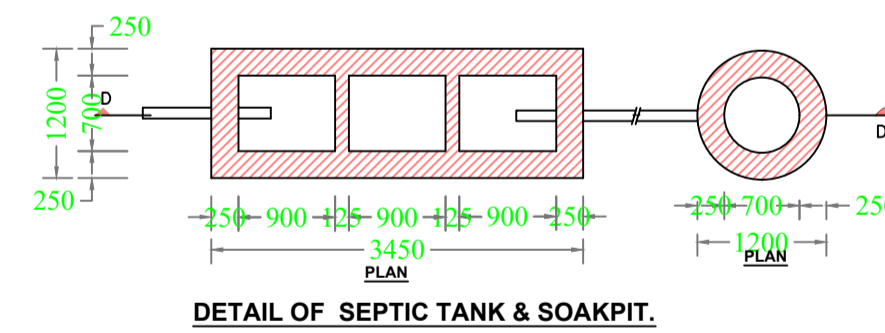
BUILDING NAME	NAME	LENGTH	HEIGHT	NOS
A (RESIDENTIAL)	V	0.60	0.90	01
A (RESIDENTIAL)	W	0.90	1.20	06
A (RESIDENTIAL)	W1	1.50	1.20	02



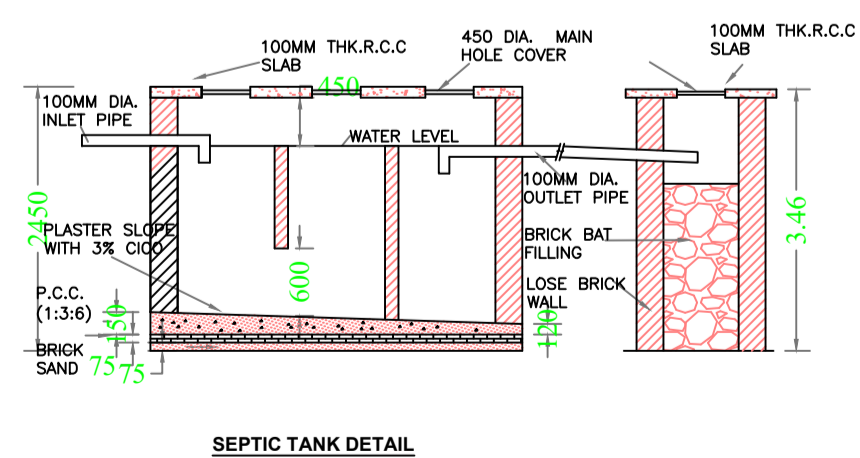
SECTION ON-XX



SECTION ON-YY



DETAIL OF SEPTIC TANK & SOAKPIT.



SEPTIC TANK DETAIL

UnitBUA Table for Building :A (RESIDENTIAL)

FLOOR	Name	UnitBUA Type	UnitBUA Area	Carpet Area	No. of Rooms	No. of Tenement
GROUND FLOOR PLAN	SPLIT A	FLAT	70.59	67.51	7	1
Total:			70.59	67.51	7	1

FAR & Tenement Details (Table 4c-1)

Building	No. of Same Bldg	Total Built Up Area (Sq.mt.)	Proposed FAR Area (Sq.mt.) Resi.	Total FAR Area (Sq.mt.)	Total Consumed Additional FAR Area (Sq.mt.)	Tnmt (No.)
A (RESIDENTIAL)	1	83.67	83.67	83.67	83.67	01
Grand Total :	1	83.67	83.67	83.67	83.67	01

Proposal Basic Information

Proposal File No.	MNNP/BP/0141/W04/2022
Owner Name	Nanda Devi
Khata No	130
Plot No	1831
Village Name	Baralota Rodma
Use	Residential
SubUse	Bungalow/ Dwelling / Non Apartment

AREA STATEMENT		SQ.MT.
MEDININAGAR MUNICIPAL CORPORATION		
PROJECT DETAIL:		
Region: JHARKHAND URBAN LOCAL BODIES	Plot Use: Residential	
District: PALAMU	Plot SubUse: Bungalow/ Dwelling / Non Apartment	
Authority: MEDININAGAR MUNICIPAL CORPORATION	PlotNearby/Religious/Structure: NA	
Inward No: MNNP/BP/0141/W04/2022	Plot/SubPlot No: 1831	
Application Type: General Proposal	North: -	
Project Type: Building Permission	South: -	
Nature of Development: New	East: -	
Location of Development Area: Old Area	West: -	
AREA DETAILS:		
AREA OF PLOT (Minimum)	(A)	161.20
Deduction for NetPlot Area		
Surrender Free of Cost		11.50
Total		11.50
NET AREA OF PLOT(Gross Plot Area - Deduction from Gross Plot area)		
(A-Deductions)		149.70
Deduction for Balance Plot Area(from Gross Plot Area)		
Surrender Free of Cost		11.50
Common Plot		20.30
Total		31.80
BALANCE AREA OF PLOT(Net Plot Area - Recreational/Amenity space)		
(A-Deductions)		129.40
PLOT AREA FOR COVERAGE(Net Plot Area)		
(A-Deductions)		149.70
Plot Area for FAR (Net Plot Area + Road/Widening Area)		
(A-Deductions)		161.20
COVERAGE CHECK		
Permissible Coverage area (70.00 %)		104.79
Proposed Coverage Area (55.89 %)		83.67
Total Prop. Coverage Area (55.89 %)		83.67
Balance coverage area (14.11 %)		21.12
FAR CHECK		
Perm. FAR Area (1.20)		193.44
Total Perm. FAR area		193.44
Residential FAR		83.67
Proposed FAR Area		83.67
Total Proposed FAR Area		83.67
Consumed FAR (Factor)		0.52
Balance FAR Area		109.77
BUILT UP AREA CHECK		
Total Proposed BuiltUp Area		83.67
ARCHITECT (Regd)	RANJIT KUMAR	
ENGINEER (Regd)		
SUPERVISOR (Regd)		
OWNER (Regd)	Nanda Devi	
DEVELOPMENT AUTHORITY		LOCAL BODY

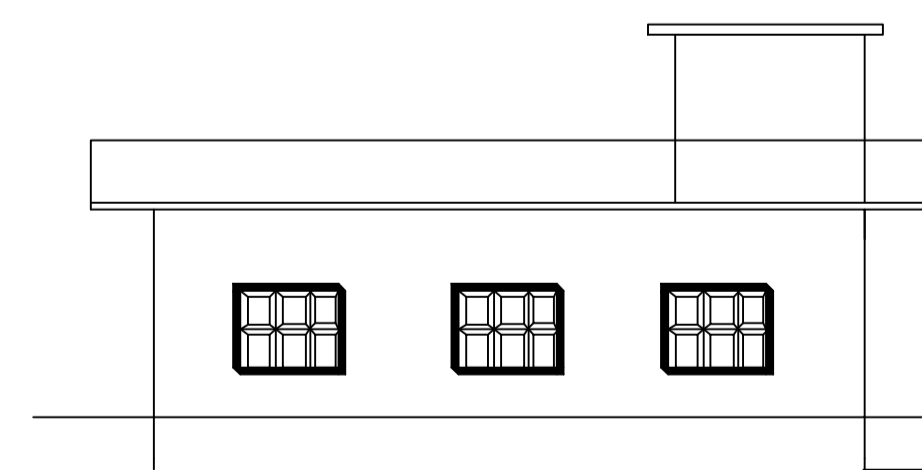
COLOR INDEX	
PLOT BOUNDARY	[Red Line]
ABUTTING ROAD	[Green Line]
PROPOSED CONSTRUCTION	[Yellow Line]
COMMON PLOT	[Blue Line]
ROAD WIDENING AREA	[Orange Line]
EXISTING (To be retained)	[Grey Line]
EXISTING (To be demolished)	[Black Line]

Buildingwise Floor FAR Details

Floor Name	Building Name A (RESIDENTIAL)		Total	
	Proposed Built Up Area (Sq.mt.)	Proposed FAR Area (Sq.mt.)	Total Proposed Built Up Area (Sq.mt.)	Total FAR Area (Sq.mt.)
Ground Floor	83.67	83.67	83.67	83.67
Terrace Floor	0.00	0.00	0.00	0.00
Total :	83.67	83.67	83.67	83.67

Building USE/SUBUSE Details

Building Name	Building Use	Building SubUse	Building Structure
A (RESIDENTIAL)	Residential	Bungalow/ Dwelling / Non Apartment	Non-Highrise



LTP NAME AND SIGNATURE	STRUCTURAL ENG'S NAME AND SIGNATURE	BUILDER NAME AND SIGNATURE	DIGITAL SIGNATURE
RANJIT KUMAR MNNP/ENG/0001/2016			