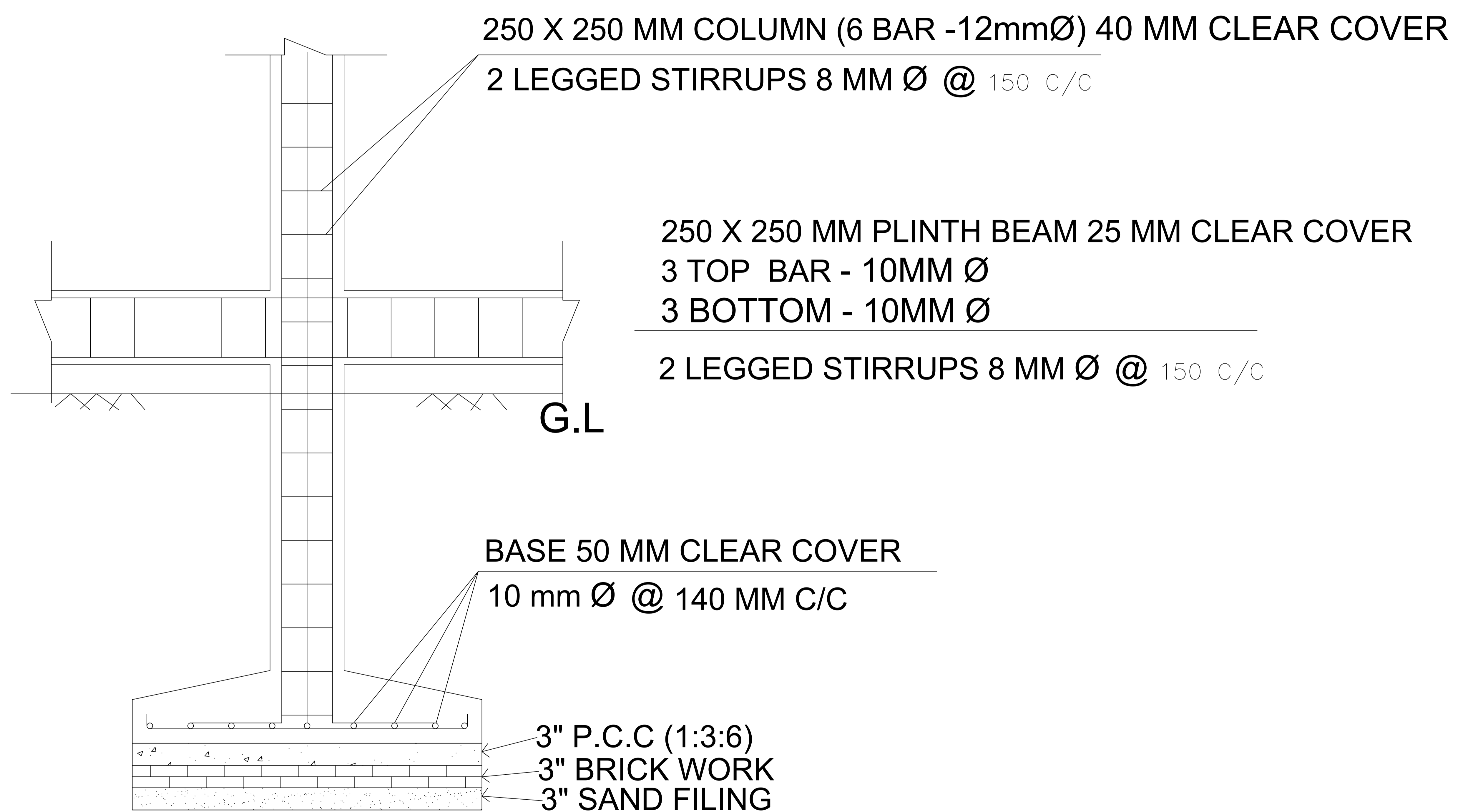


PLAN OF COLUMN FOUNDATION



SECTION AT C-C'

STRUCTURE DETAILS

Structure Detail SCALE 1:100