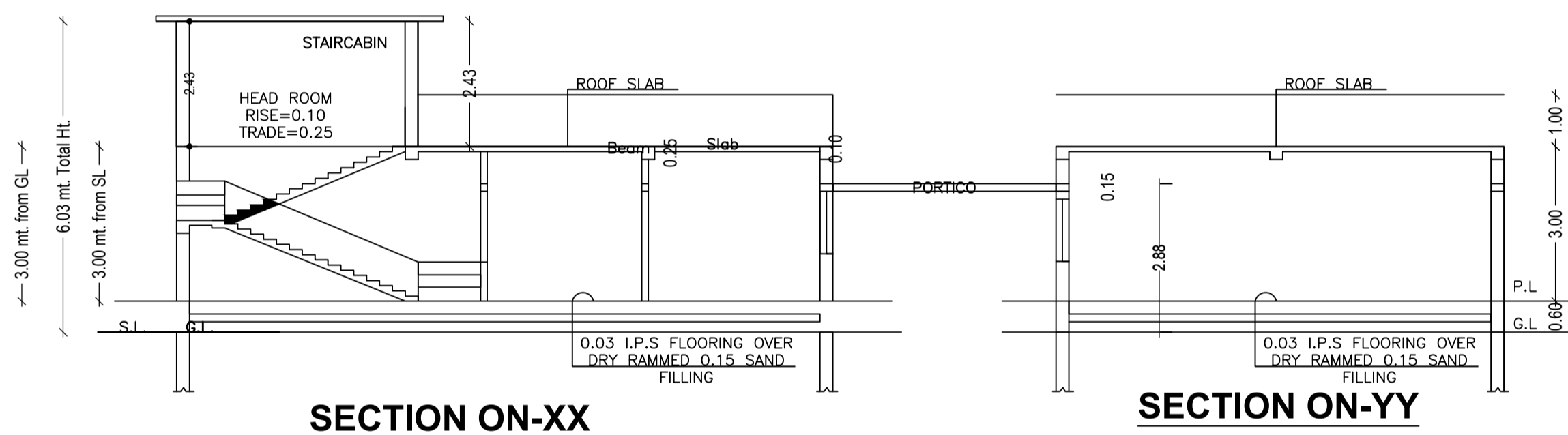
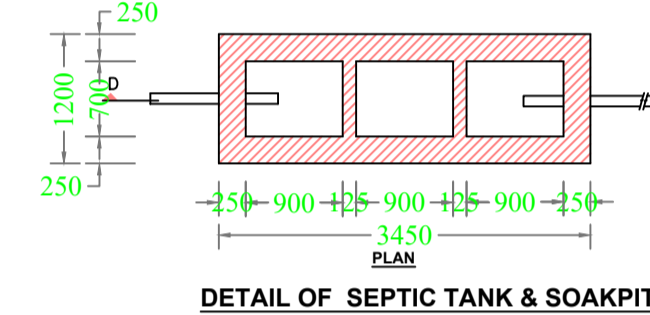


SITE PLAN

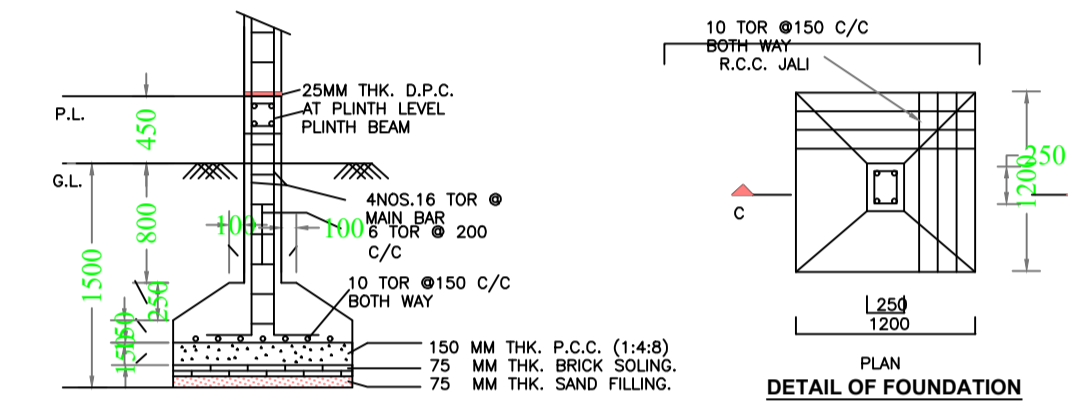


SECTION ON-XX

SECTION ON-YY

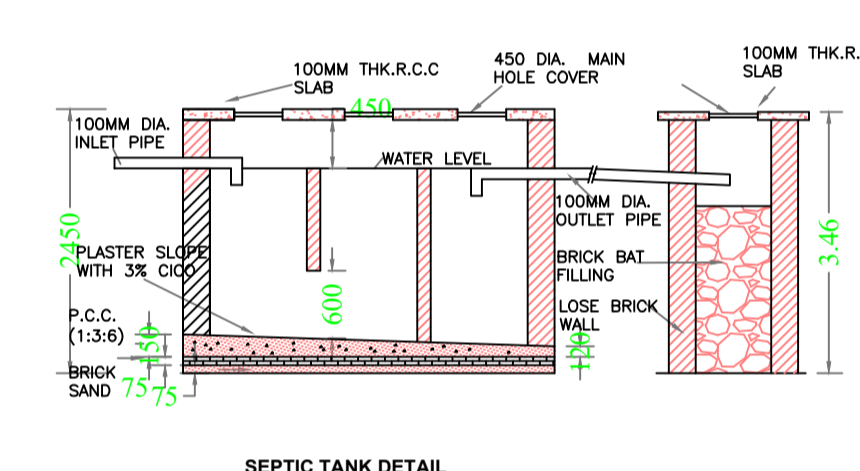


DETAIL OF SEPTIC TANK & SOAKPIT.



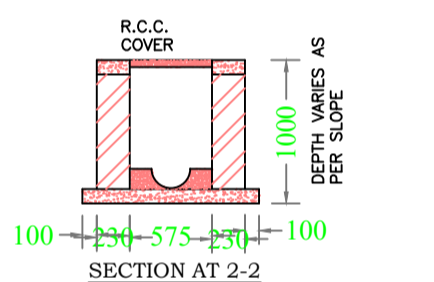
SECTION-CC

DETAIL OF FOUNDATION

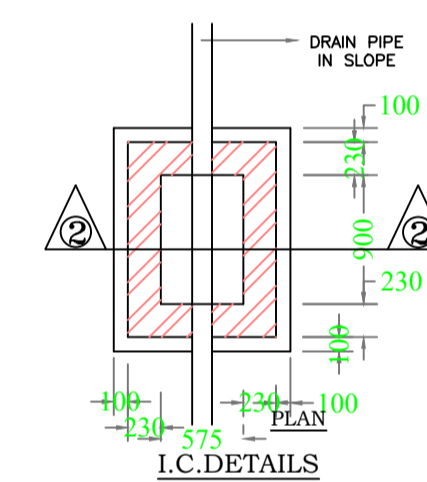


SEPTIC TANK DETAIL

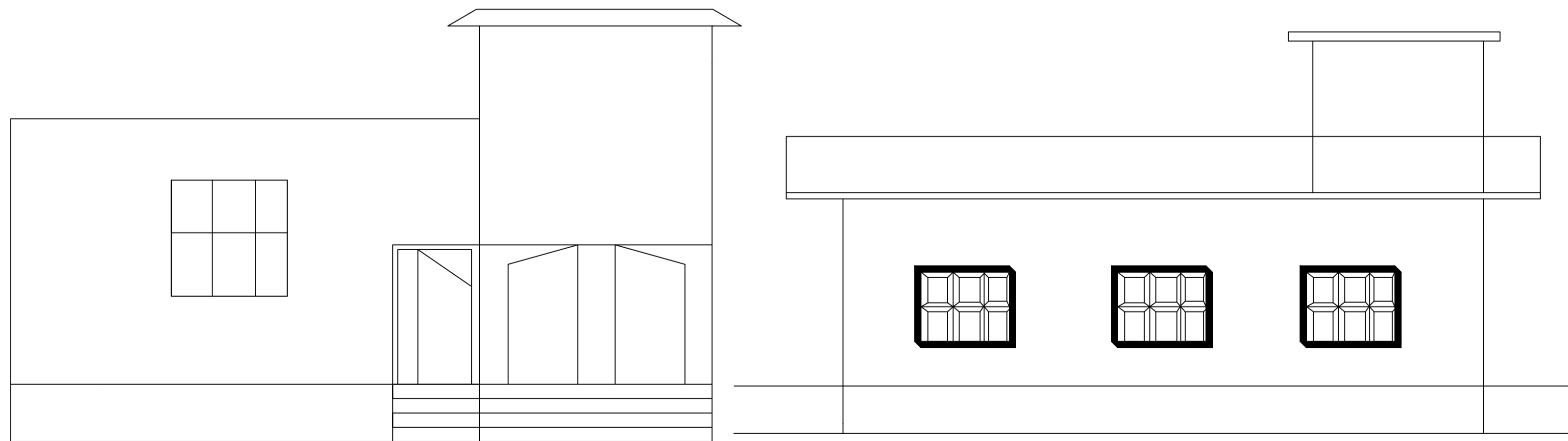
STRUCTURAL DETAIL



SECTION AT 2-2



I.C. DETAILS



FRONT ELEVATION

Building :A (BUILDING)

Floor Name	Total Built Up Area (Sq.mt.)	Proposed FAR Area (Sq.mt.)	Total FAR Area (Sq.mt.)	Total Consumed Additional FAR Area (Sq.mt.)	Tnmt (No.)
Ground Floor	62.97	62.97	62.97	62.97	01
Terrace Floor	0.00	0.00	0.00	0.00	00
Total :	62.97	62.97	62.97	62.97	01
Total Number of Same Buildings :	1				
Total :	62.97	62.97	62.97	62.97	01

SCHEDULE OF DOOR:

BUILDING NAME	NAME	LENGTH	HEIGHT	NOS
A (BUILDING)	D	0.83	2.10	01
A (BUILDING)	D1	0.90	2.10	02
A (BUILDING)	D2	0.90	2.10	01
A (BUILDING)	D	0.90	2.10	01

SCHEDULE OF WINDOW/VENTILATION:

BUILDING NAME	NAME	LENGTH	HEIGHT	NOS
A (BUILDING)	W	1.20	1.20	06
A (BUILDING)	V	1.20	1.20	01

FAR & Tenement Details (Table 4c-1)

Building	No. of Same Bldg	Total Built Up Area (Sq.mt.)	Proposed FAR Area (Sq.mt.)	Total FAR Area (Sq.mt.)	Total Consumed Additional FAR Area (Sq.mt.)	Tnmt (No.)
A (BUILDING)	1	62.97	62.97	62.97	62.97	01
Grand Total :	1	62.97	62.97	62.97	62.97	01

UnitBUA Table for Building :A (BUILDING)

FLOOR	Name	UnitBUA Type	UnitBUA Area	Carpet Area	No. of Rooms	No. of Tenement
GROUND FLOOR PLAN	SPLIT A	FLAT	52.85	52.47	5	1
Total:	-	-	52.85	52.47	5	1

Proposal Basic Information

Proposal File No.	MNNP/BP/0269/W09/2022
Owner Name	Urmila Devi and Pushpa Devi
Khata No	38
Plot No	701
Village Name	Sudna
Use	Residential
SubUse	Bungalow/ Dwelling / Non Apartment

AREA STATEMENT		VERSION NO. : 1.0.64
MEDINAGAR MUNICIPAL CORPORATION		VERSION DATE: 16/10/2020
PROJECT DETAIL:		
Region: JHARKHAND URBAN LOCAL BODIES	Plot Use: Residential	
District: PALAMU	Plot SubUse: Bungalow/ Dwelling / Non Apartment	
Authority: MEDINAGAR MUNICIPAL CORPORATION	PlotNearby/ReligiousStructure: NA	
Invested No: MNNP/BP/0269/W09/2022	Plot/SubPlot No: 701	
Application Type: General Proposal	North: -	
Project Type: Building Permission	South: -	
Nature of Development: New	East: -	
Location of Development Area: Old Area	West: -	
AREA DETAILS:		SQ.MT.
AREA OF PLOT (Minimum)	(A)	161.40
Deduction for NetPlot Area		
Surrender Free of Cost		21.11
Total		21.11
NET AREA OF PLOT(Gross Plot Area - Deduction from Gross Plot area)	(A-Deductions)	140.29
Deduction for Balance Plot Area(from Gross Plot Area)		
Surrender Free of Cost		21.11
Common Plot		20.83
Total		41.94
BALANCE AREA OF PLOT(Net Plot Area - Recreational/Amenity space)	(A-Deductions)	119.46
PLOT AREA FOR COVERAGE(Net Plot Area)	(A-Deductions)	140.29
Plot Area for FAR (Net Plot Area + RoadWidening Area)	(A-Deductions)	161.40
COVERAGE CHECK		
Permissible Coverage area ( 70.00 % )		98.20
Proposed Coverage Area ( 44.89 % )		62.97
Total Prop. Coverage Area ( 44.89 % )		62.97
Balance coverage area ( 25.11 % )		35.23
FAR CHECK		
Perm. FAR Area ( 1.20 )		193.68
Total Perm. FAR area		193.68
Residential FAR		62.97
Proposed FAR Area		62.97
Total Proposed FAR Area		62.97
Consumed FAR (Factor)		0.39
Balance FAR Area		130.71
BUILT UP AREA CHECK		
Total Proposed BuiltUp Area		62.97
ARCHITECT (Regd)		RANJIT KUMAR
ENGINEER (Regd)		
SUPERVISOR (Regd)		
OWNER (Regd)		Urmila Devi and Pushpa Devi
DEVELOPMENT AUTHORITY		LOCAL BODY

COLOR INDEX	
PLOT BOUNDARY	Black
ABUTTING ROAD	Green
PROPOSED CONSTRUCTION	Red
COMMON PLOT	Yellow
ROAD WIDENING AREA	Blue
EXISTING (To be retained)	Grey
EXISTING (To be demolished)	White

Buildingwise Floor FAR Details

Floor Name	Building Name		Total	
	Proposed Built Up Area (Sq.mt.)	Proposed FAR Area (Sq.mt.)	Total Proposed Built Up Area (Sq.mt.)	Total FAR Area (Sq.mt.)
Ground Floor	62.97	62.97	62.97	62.97
Terrace Floor	0.00	0.00	0.00	0.00
Total :	62.97	62.97	62.97	62.97

Building USE/SUBUSE Details

Building Name	Building Use	Building SubUse	Building Structure
A (BUILDING)	Residential	Bungalow/ Dwelling / Non Apartment	Non-Highrise

LTP NAME AND SIGNATURE	STRUCTURAL ENG'S NAME AND SIGNATURE	BUILDER NAME AND SIGNATURE	DIGITAL SIGNATURE
RANJIT KUMAR MNNP/ENG/0001/2016			