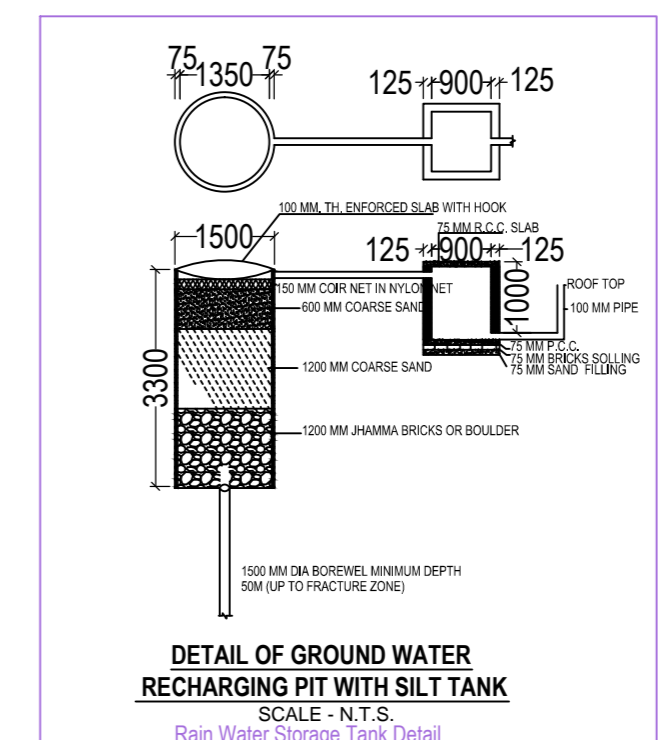
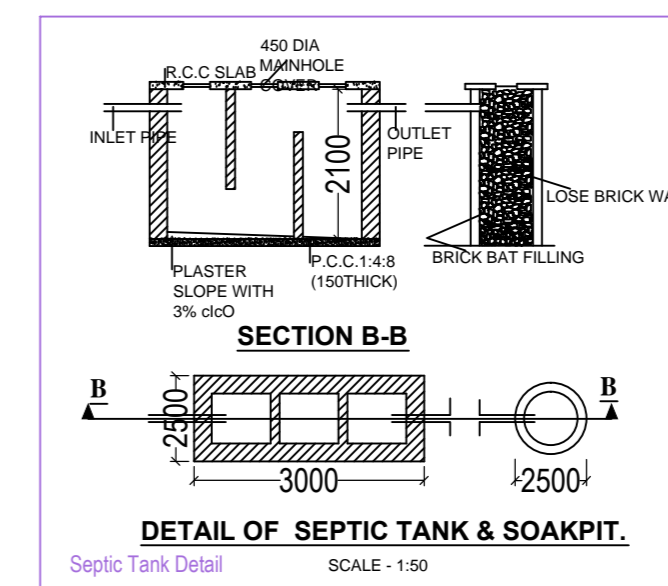
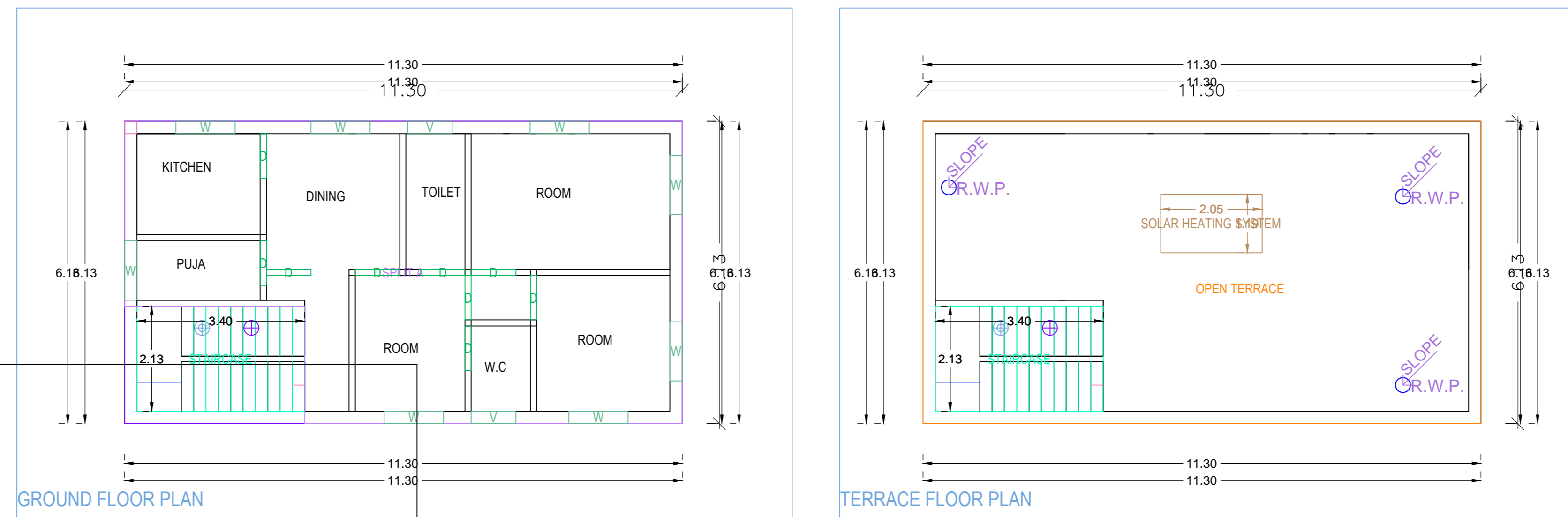
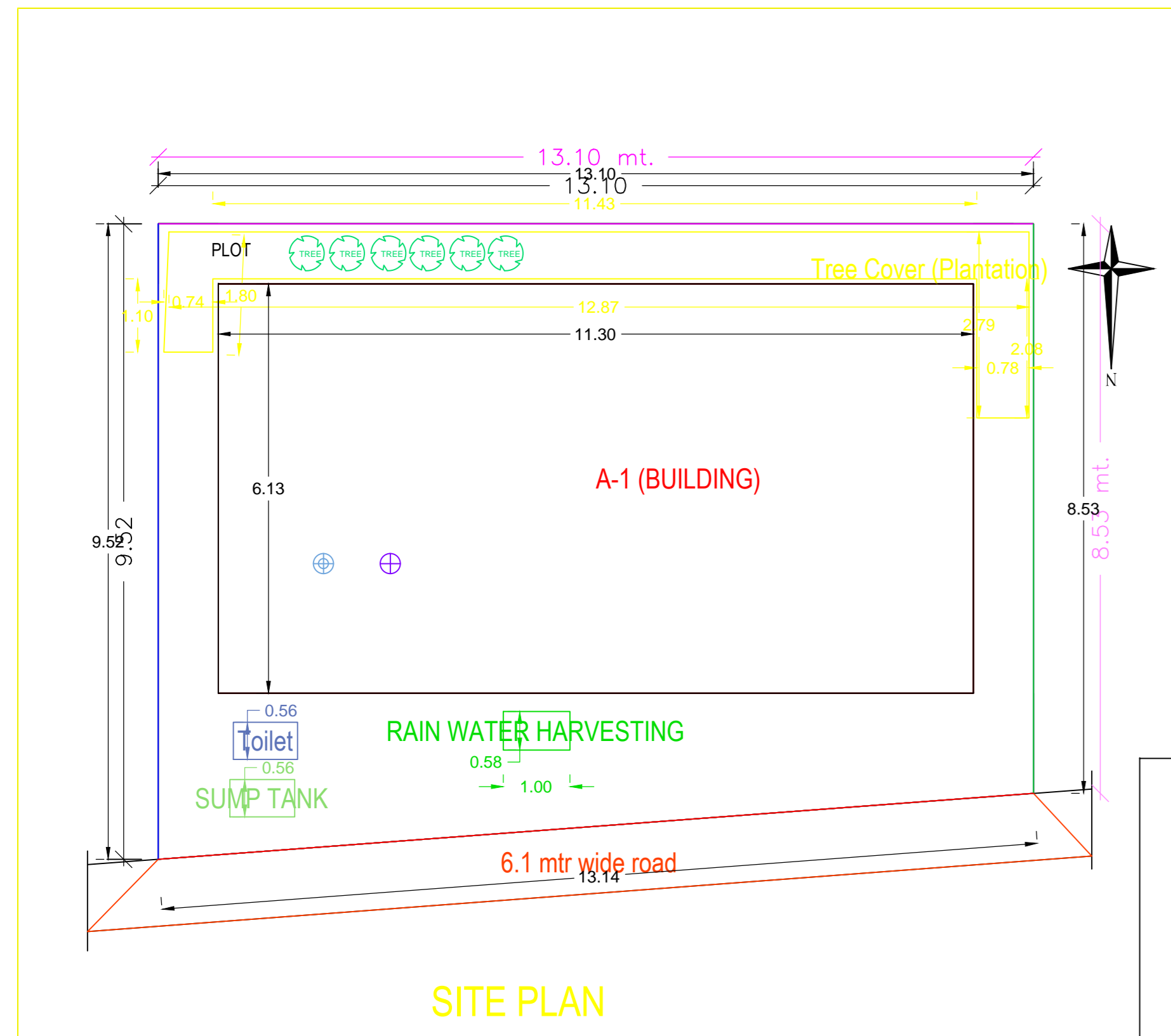
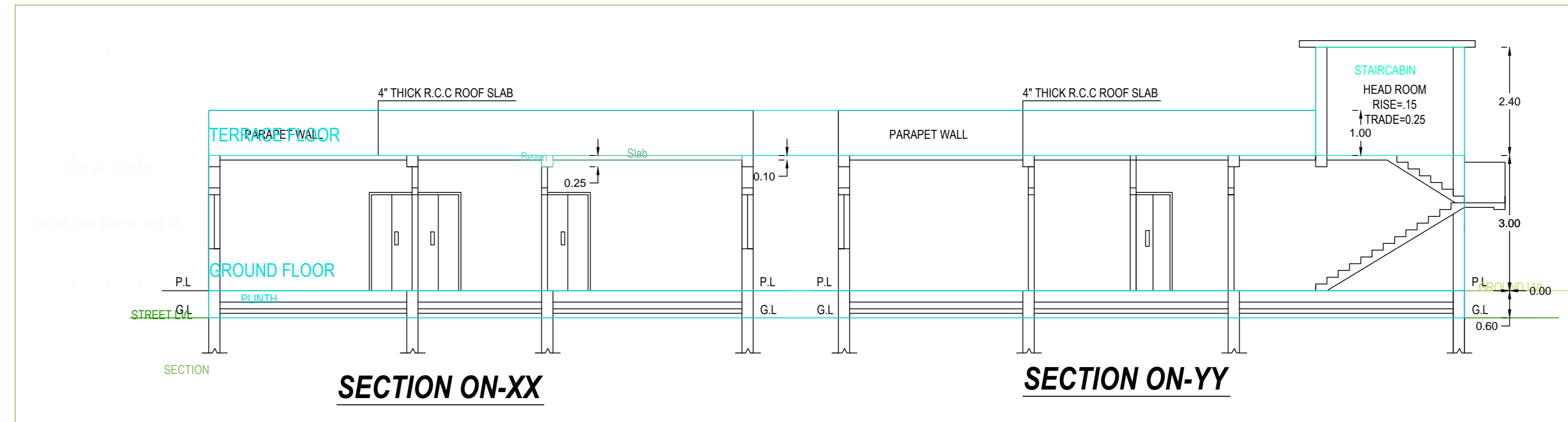
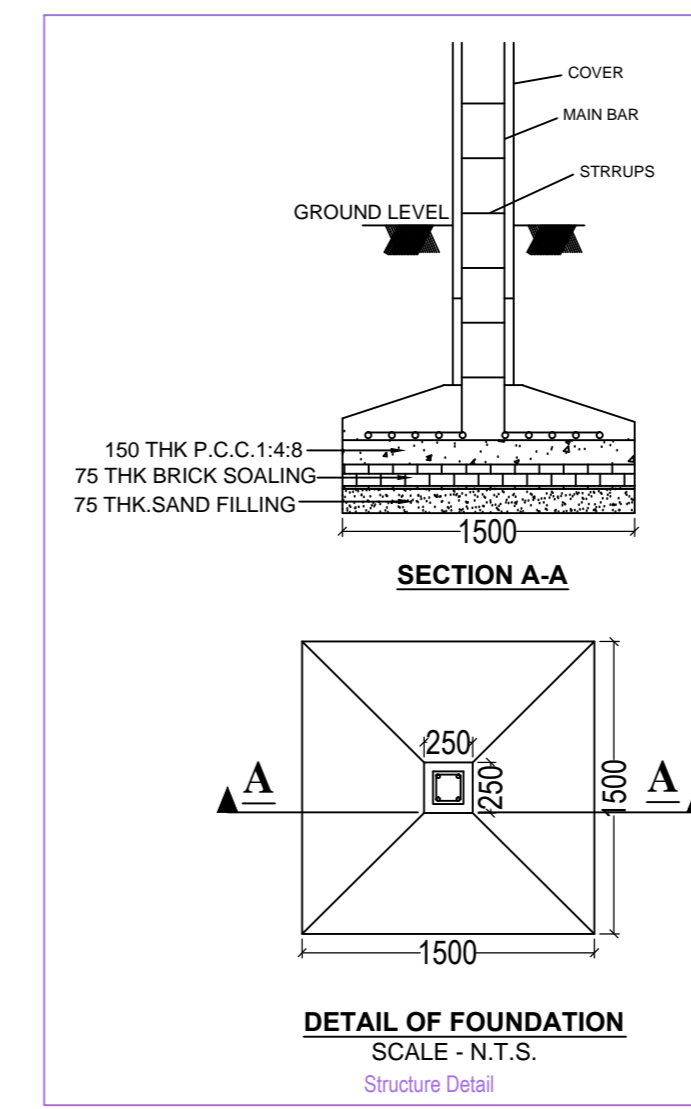
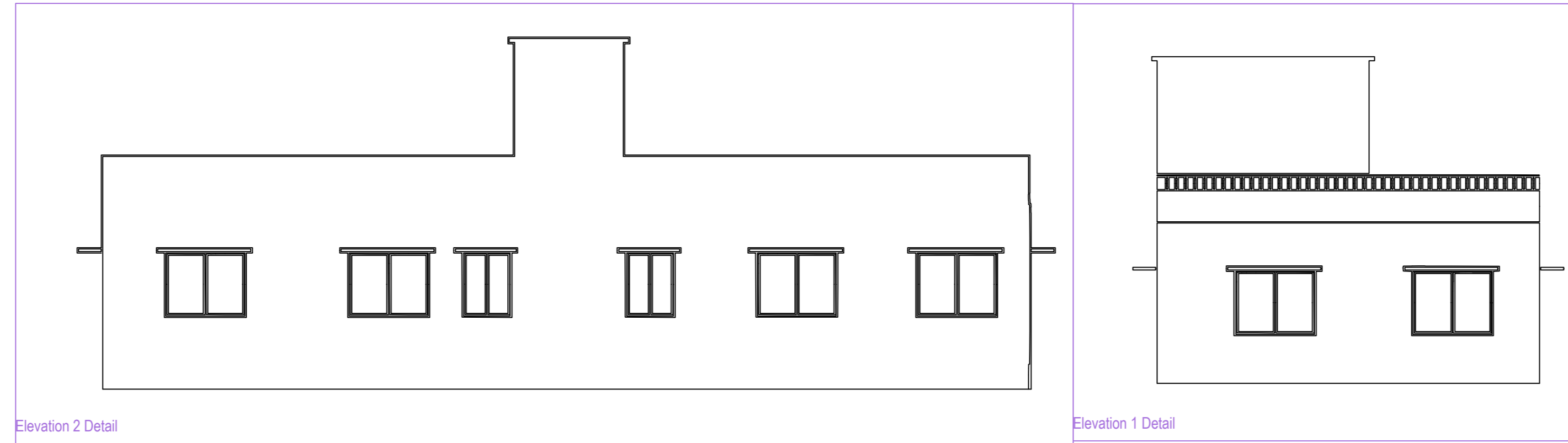


Project Title :RAMCHANDRA RAM



AREA STATEMENT: MEDININAGAR MUNICIPAL CORPORATION	VERSION NO.: 1.0.37
PROJECT DETAIL:	VERSION DATE: 16/10/2020
Inward No. : -	Plot Use : Residential
Region : JHARKHAND URBAN LOCAL BODIES	Plot Sub/Use : Bungalow/ Dwelling / Non Apartment
District : PALAMU	Land Use Zone : NA
Application Type : General Proposal	Abutting Road Width : -
Project Type : Building Permission	Plot No. : -
Nature of Development : New	Revenue Survey No/Survey No : -
Location : Old Area	Thana No : -
Sub Location : NA	Holding No : -
Village/Mauza Name : -	Khata No : -
Ward No : -	North : -
Road/Street : -	South : -
	East : -
	West : -

AREA DETAILS :		SQ.MT.
AREA OF PLOT (Minimum)	(A)	118.21
Net Plot Area (Gross Plot Area - Deduction from Gross Plot area)	(A-Deductions)	118.21
Deductions for Balance Plot Area (from Gross Plot Area)		
COP Area		11.47
Total		11.47
Balance Plot Area (Net Plot Area - Recreational/Amenity space)	(A-Deductions)	106.74
Plot Area for Coverage (Net Plot Area)	(A-Deductions)	118.21
Plot Area for FSI (Net Plot Area + Road Widening Area)	(A-Deductions)	118.21
Accessory Use Area		0.53
COVERAGE CHECK		
Proposed Coverage Area ( 58.60 % )		69.27
Total Coverage Area ( 58.60 % )		69.27
FAR CHECK		
Proposed Area of FAR		69.27
Total Area of FAR		69.27
BUILT UP AREA CHECK		
Total Proposed BuiltUp Area		69.27
ARCH / ENGG / SUPERVISOR (Regd)		OWNER
DEVELOPMENT AUTHORITY		LOCAL BODY

COLOR INDEX	
PLOT BOUNDARY	
ABUTTING ROAD	
PROPOSED WORK (COVERAGE AREA)	
EXISTING (To be retained)	
EXISTING (To be demolished)	

MARGIN DETAIL:					
Building / Wing Name	Road Name	Front Margin	Rear Margin	Side1 Margin	Side2 Margin
A-1 (BUILDING)	6.1 mtr wide road	1.56	0.90	0.90	0.90

FAR & Tenement Details (Table 4c-1)					
Building	No. of Same Bldg	Total Built Up Area (Sq.mt.)	Proposed FAR Area (Sq.mt.) Resi.	Total FAR Area (Sq.mt.)	Tnmt (No.)
A (BUILDING)	1	69.27	69.27	69.27	01
Grand Total :	1	69.27	69.27	69.27	01

Floor Name	Total Built Up Area (Sq.mt.)	Proposed FAR Area (Sq.mt.) Resi.	Total FAR Area (Sq.mt.)	Tnmt (No.)
Ground Floor...	69.27	69.27	69.27	01
Terrace Floor...	0.00	0.00	0.00	00
Total :	69.27	69.27	69.27	01
Total Number of Same Buildings	1			
Total :	69.27	69.27	69.27	01

SCHEDULE OF JOINERY:				
BUILDING NAME	NAME	LENGTH	HEIGHT	NOS
A (BUILDING)	D	0.90	2.10	09
Total	-	-	-	09

SCHEDULE OF JOINERY:				
BUILDING NAME	NAME	LENGTH	HEIGHT	NOS
A (BUILDING)	V	0.90	1.00	02
A (BUILDING)	W	1.20	1.20	08
Total	-	-	-	10

UnitBUA Table for Building :A (BUILDING)						
FLOOR	Name	UnitBUA Type	UnitBUA Area	Carpet Area	No. of Rooms	No. of Tenement
GROUND FLOOR PLAN	SPLIT A	FLAT	60.58	60.52	10	1
Total	-	-	60.58	60.52	10	1