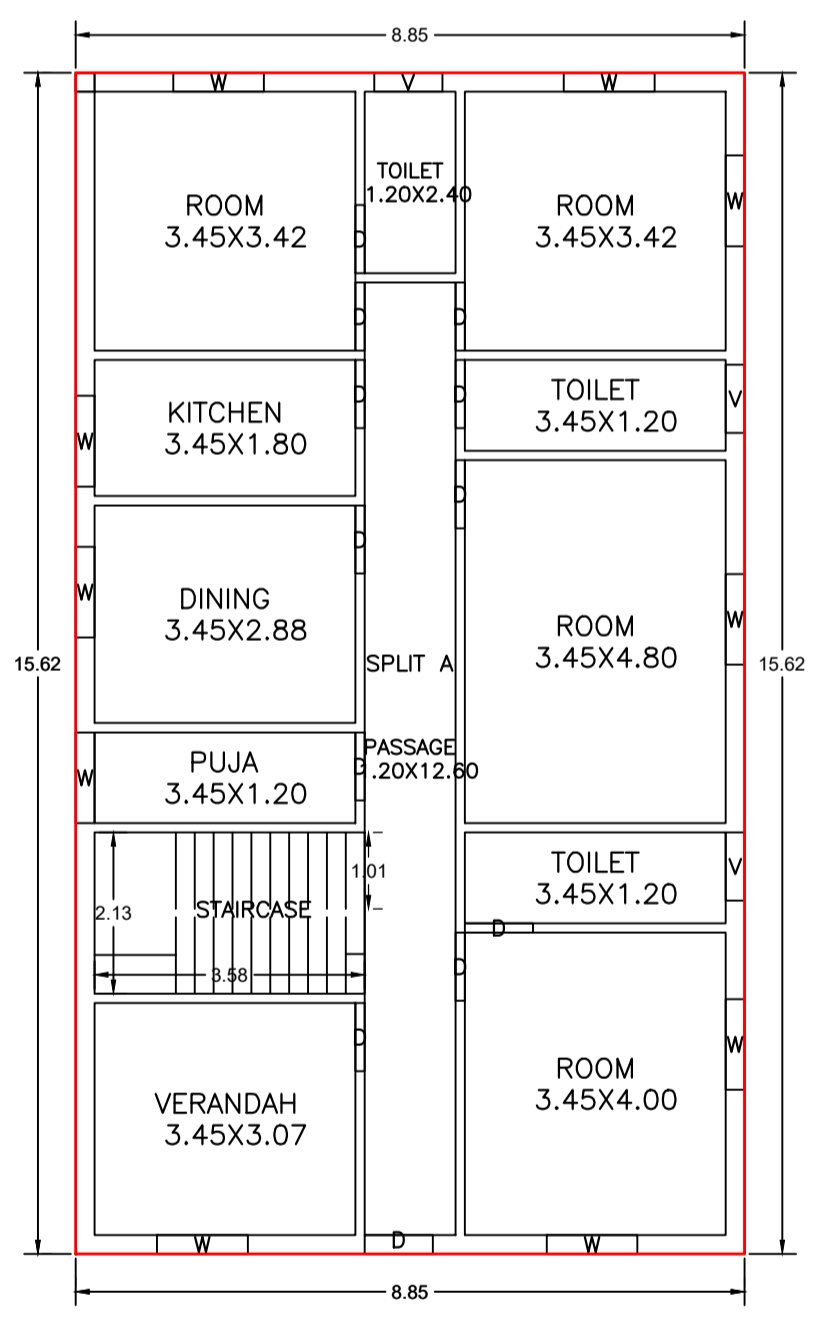
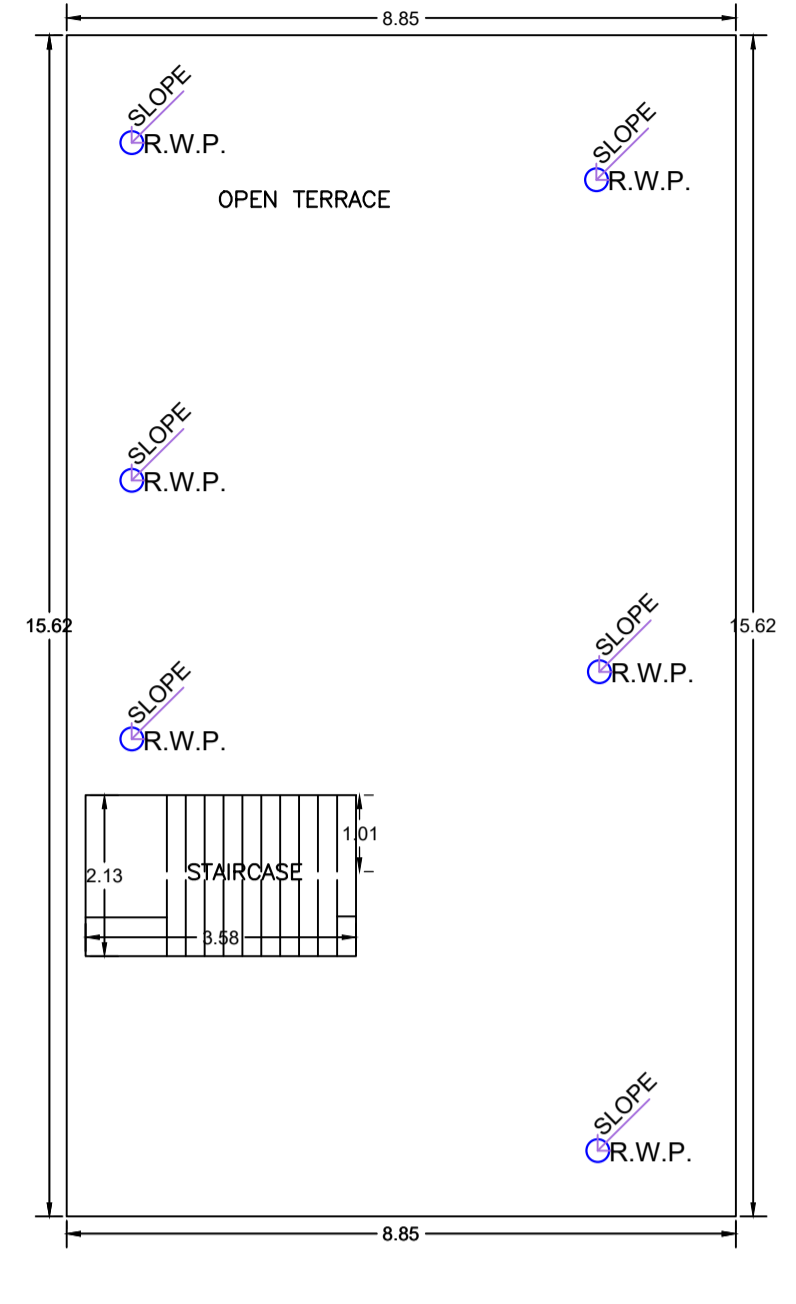


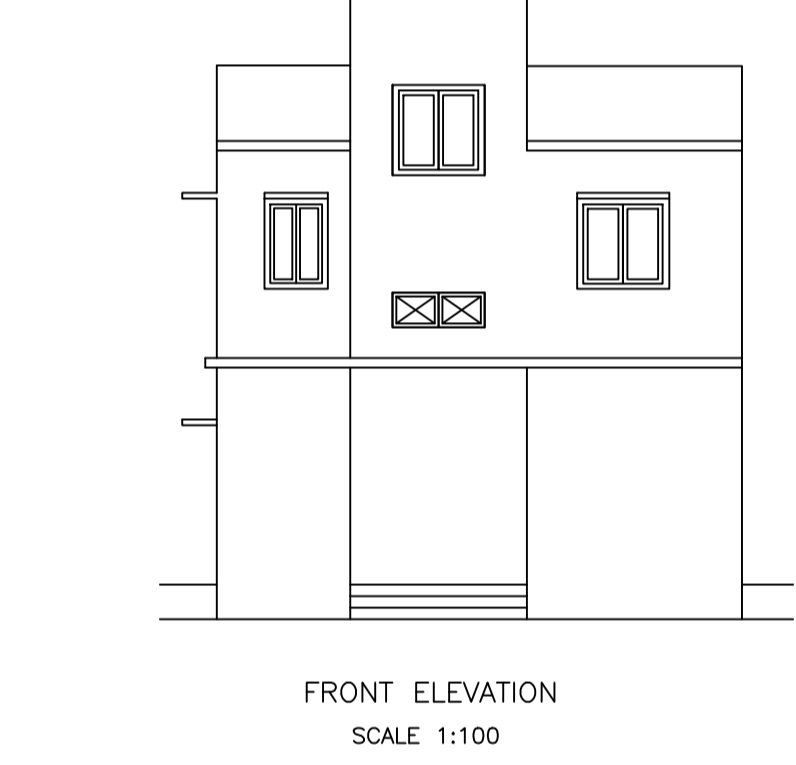
GROUND FLOOR PLAN (Proposed) (SCALE 1:100)



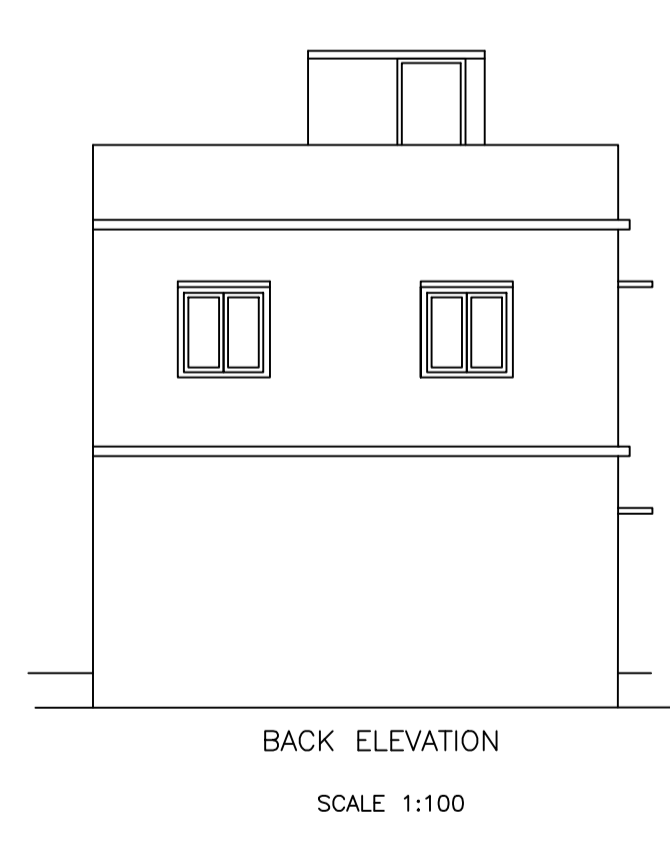
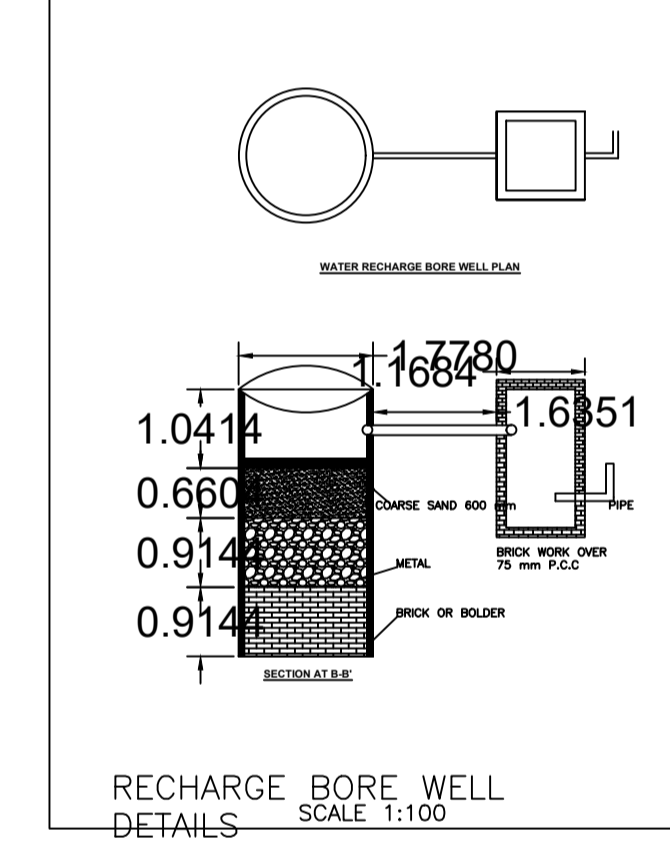
FIRST FLOOR PLAN (Proposed) (SCALE 1:100)



TERRACE FLOOR PLAN (SCALE 1:100)



FRONT ELEVATION (SCALE 1:100)



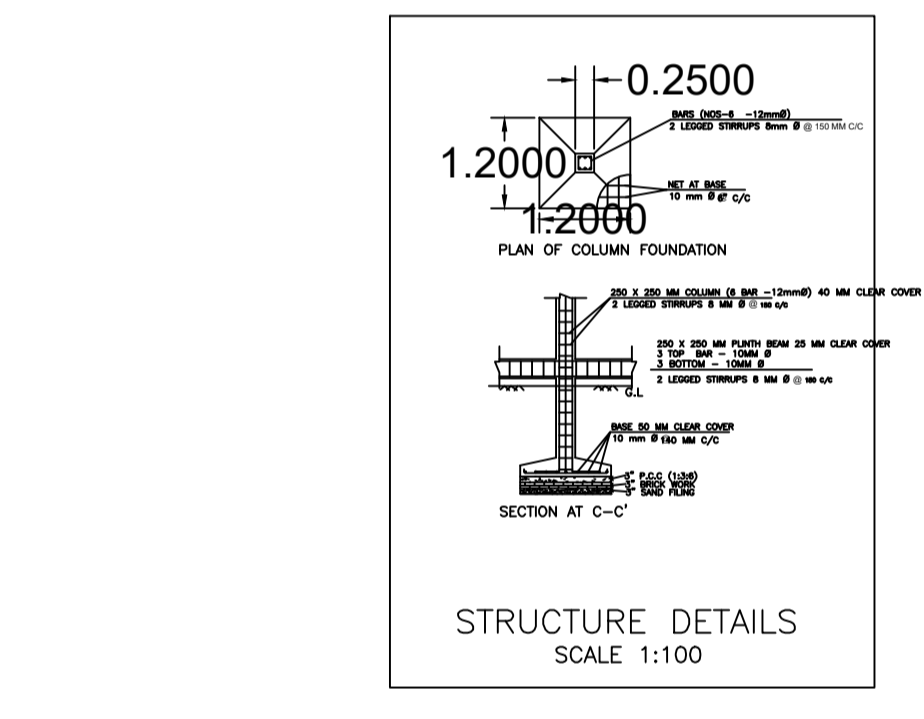
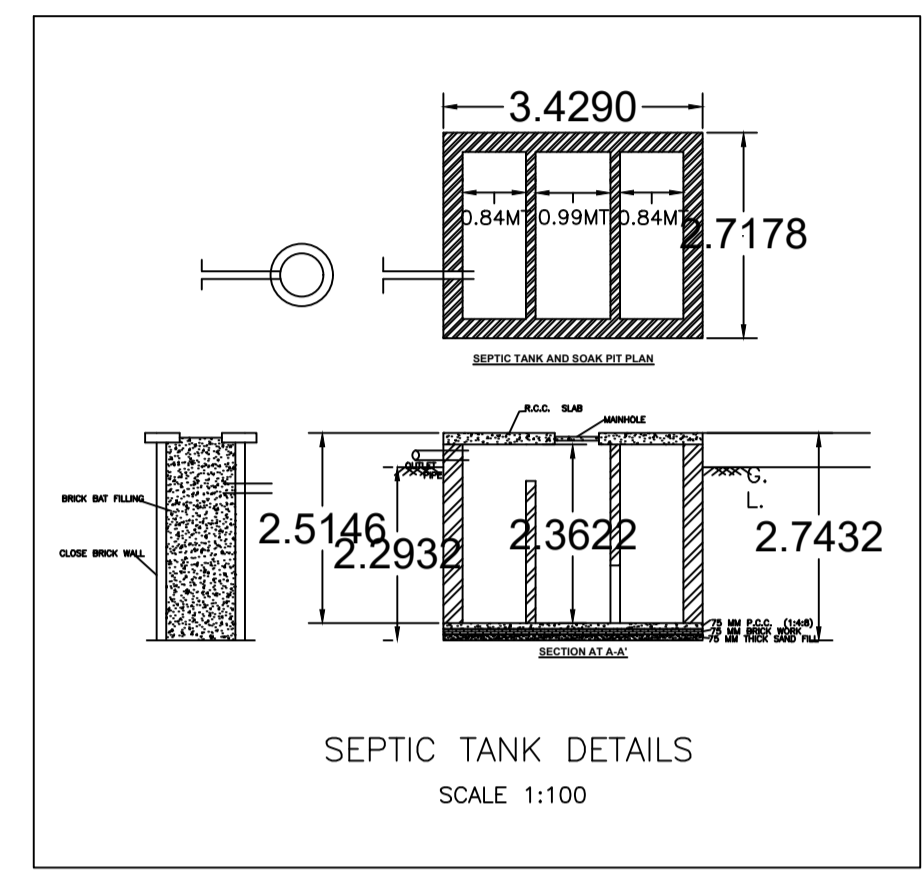
BACK ELEVATION (SCALE 1:100)

FAR & Tenement Details (Table 4c-1)

Building	No. of Same Bldg	Total Built Up Area (Sq.mt.)	Proposed FAR Area (Sq.mt.) Resi.	Total FAR Area (Sq.mt.)	Total Consumed Additional FAR Area (Sq.mt.)	Tnmt (No.)
A (BUILDING)	1	276.52	276.52	276.52	276.52	01
Grand Total :	1	276.52	276.52	276.52	276.52	01

Proposal Basic Information

Proposal File No.	MNNP/BP/0135/W17/2024
Owner Name	SUDHA PANDAY
Khata No	263
Plot No	1373
Village Name	Redma
Use	Residential
SubUse	Bungalow/ Dwelling / Non Apartment



AREA STATEMENT	VERSION NO. : 1.0.70	SQ.MT.
AREA OF PLOT (Minimum)	(A)	240.68
Deduction for NetPlot Area		
Surrender Free of Cost		6.05
NET AREA OF PLOT (Gross Plot Area - Deduction from Gross Plot area)	(A-Deductions)	234.63
Deduction for Balance Plot Area (from Gross Plot Area)		
Surrender Free of Cost		6.05
Common Plot		20.02
Total		26.07
BALANCE AREA OF PLOT (Net Plot Area - Recreational/Amenity space)	(A-Deductions)	214.61
PLOT AREA FOR COVERAGE (Net Plot Area)	(A-Deductions)	234.63
Plot Area for FAR (Net Plot Area + Road/Widening Area)	(A-Deductions)	240.68
COVERAGE CHECK		
Permissible Coverage area (70.00 %)		164.24
Proposed Coverage Area (58.93 %)		138.26
Total Prop. Coverage Area (58.93 %)		138.26
Balance coverage area (11.07 %)		25.98
FAR CHECK		
Perm. FAR Area (1.800)		433.22
Total Perm. FAR area		433.22
Residential FAR		276.51
Proposed FAR Area		276.51
Total Proposed FAR Area		276.51
Consumed FAR (Factor)		1.15
Balance FAR Area		156.71
BUILT UP AREA CHECK		
Total Proposed BuiltUp Area		276.52
ARCHITECT (Regd)	PANKAJ KUMAR SINGH	
ENGINEER (Regd)		
SUPERVISOR (Regd)		
OWNER (Regd)	SUDHA PANDAY	
DEVELOPMENT AUTHORITY	LOCAL BODY	

COLOR INDEX	
PLOT BOUNDARY	Black
ABUTTING ROAD	Green
PROPOSED CONSTRUCTION	Red
COMMON PLOT	Yellow
ROAD WIDENING AREA	Blue
EXISTING (To be retained)	Orange
EXISTING (To be demolished)	Grey

Buildingwise Floor FAR Details

Floor Name	Building Name A (BUILDING)		Total	
	Proposed Built Up Area (Sq.mt.)	Proposed FAR Area (Sq.mt.)	Total Proposed Built Up Area (Sq.mt.)	Total FAR Area (Sq.mt.)
Ground Floor	138.26	138.26	138.26	138.26
First Floor	138.26	138.26	138.26	138.26
Terrace Floor	0.00	0.00	0.00	0.00
Total :	276.52	276.52	276.52	276.52

Building USE/SUBUSE Details

Building Name	Building Use	Building SubUse	Building Structure
A (BUILDING)	Residential	Bungalow/ Dwelling / Non Apartment	Non-Highrise

Floor Name	Total Built Up Area (Sq.mt.)	Proposed FAR Area (Sq.mt.) Resi.	Total FAR Area (Sq.mt.)	Total Consumed Additional FAR Area (Sq.mt.)	Tnmt (No.)
Ground Floor	138.26	138.26	138.26	138.26	01
First Floor	138.26	138.26	138.26	138.26	00
Terrace Floor	0.00	0.00	0.00	0.00	00
Total :	276.52	276.52	276.52	276.52	01
Total Number of Same Buildings	1				
Total :	276.52	276.52	276.52	276.52	01

SCHEDULE OF DOOR:

BUILDING NAME	NAME	LENGTH	HEIGHT	NOS
A (BUILDING)	D	0.90	2.10	24

SCHEDULE OF WINDOW/VENTILATION:

BUILDING NAME	NAME	LENGTH	HEIGHT	NOS
A (BUILDING)	V	0.90	0.60	06
A (BUILDING)	W	1.20	1.20	20

UnitBUA Table for Building :A (BUILDING)

FLOOR	Name	UnitBUA Type	UnitBUA Area	Carpet Area	No. of Rooms	No. of Tenement
GROUND FLOOR PLAN	SPLIT A	FLAT	260.22	260.09	12	1
FIRST FLOOR PLAN	SPLIT A	FLAT	0.00	0.00	12	0
Total:	-	-	260.22	260.09	24	1

LTP NAME AND SIGNATURE	STRUCTURAL ENG'S NAME AND SIGNATURE	BUILDER NAME AND SIGNATURE	DIGITAL SIGNATURE
PANKAJ KUMAR SINGH MNNP/ENG/0006/2019			