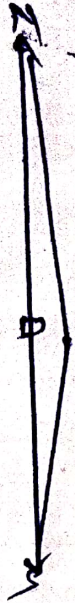


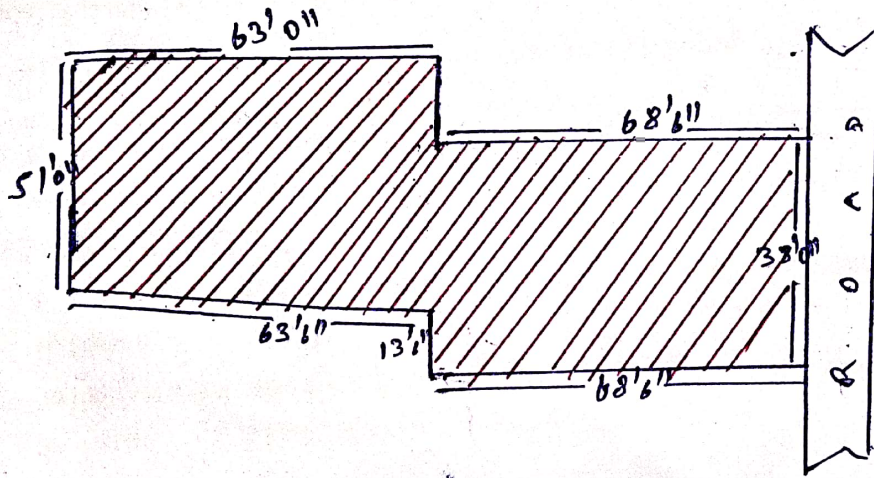
PART SKETCH MAP OF VILLAGE SUONA



<u>THANA</u>	<u>MEDININAGAR</u>
<u>THANA N.</u>	<u>191</u>
<u>DISTRICT</u>	<u>PALAMAU</u>

NOTE TO Rajendra Prasad Agarwal
s/o - Haridhar Prasad Agarwal
shown in Red colour

<u>Khata No.</u>	<u>Plot No.</u>	<u>Area</u>
40	86	14 d.



Boundary

North - Mahanand
 South - Bari Sahab
 East - Road
 West - Nig

Rajendra Prasad Agarwal

सुना गाँव का नक्शा