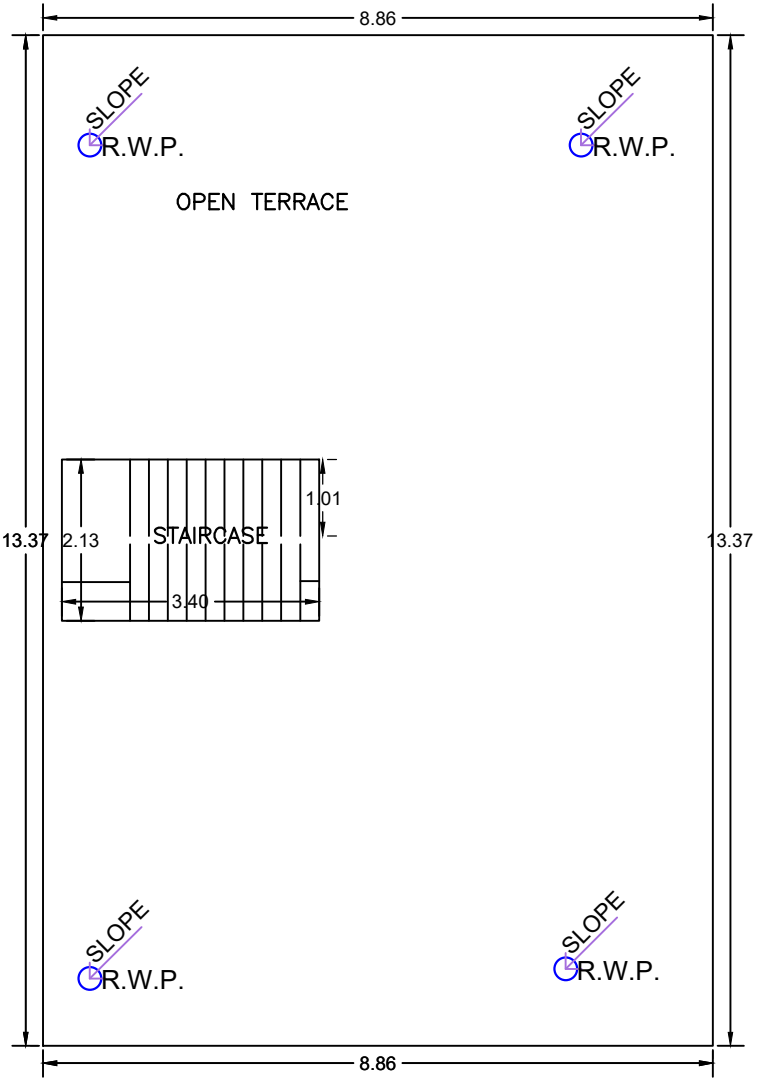
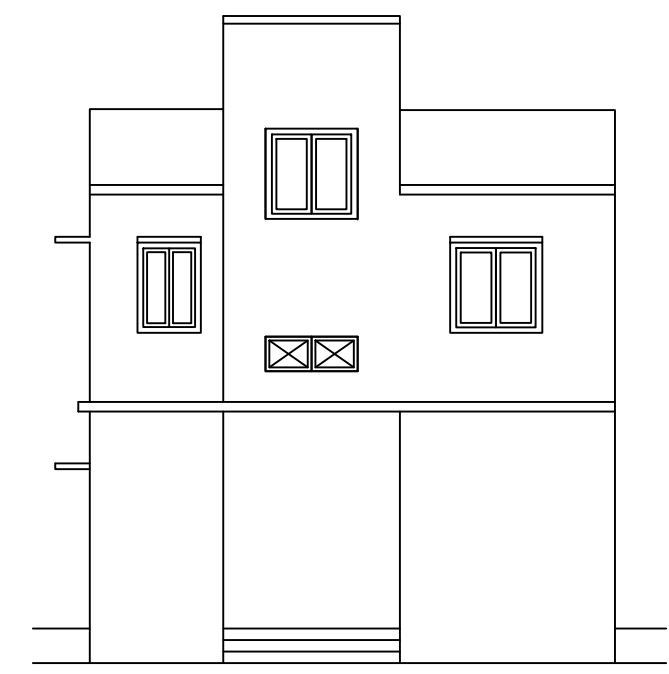


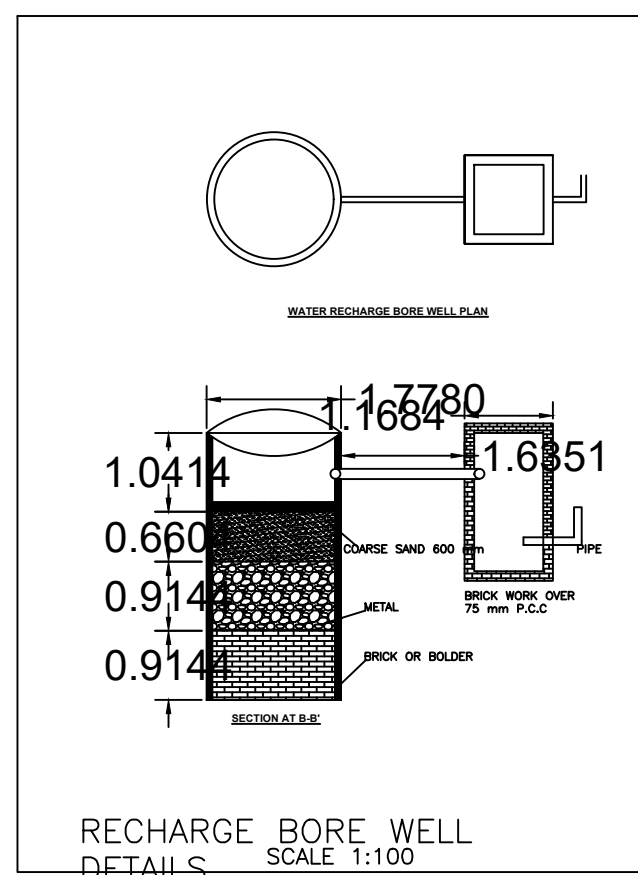
SITE PLAN



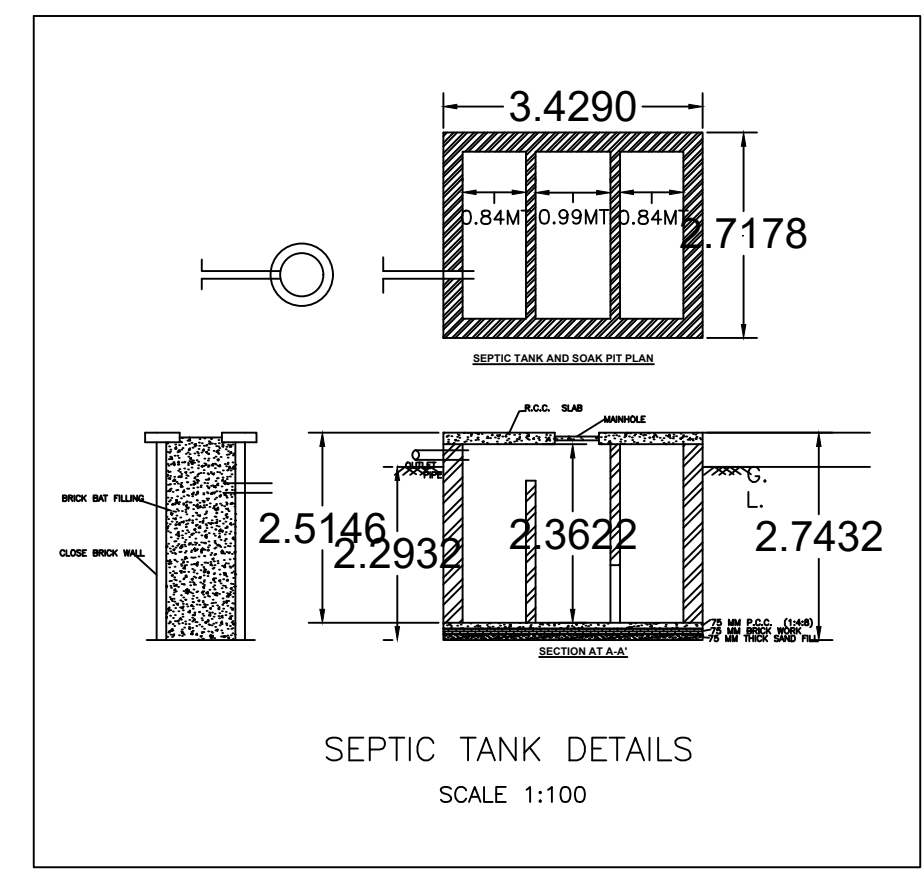
TERRACE FLOOR PLAN (SCALE 1:100)



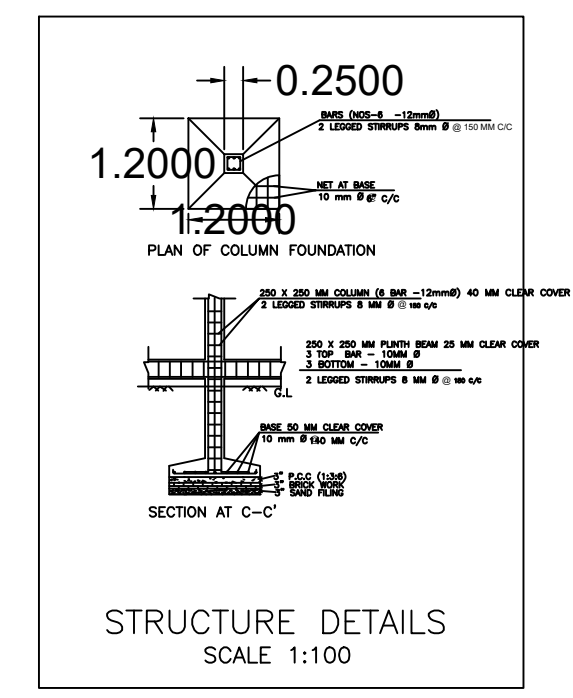
FRONT ELEVATION (SCALE 1:100)



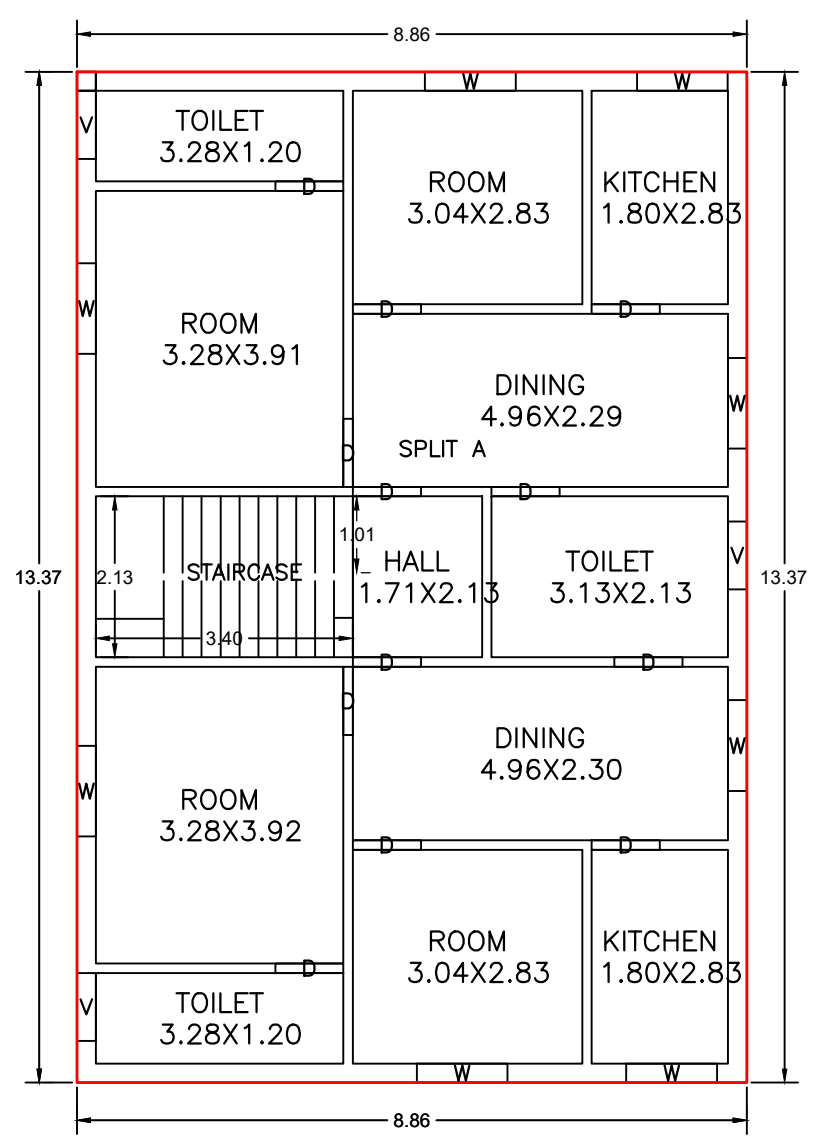
RECHARGE BORE WELL DETAILS (SCALE 1:100)



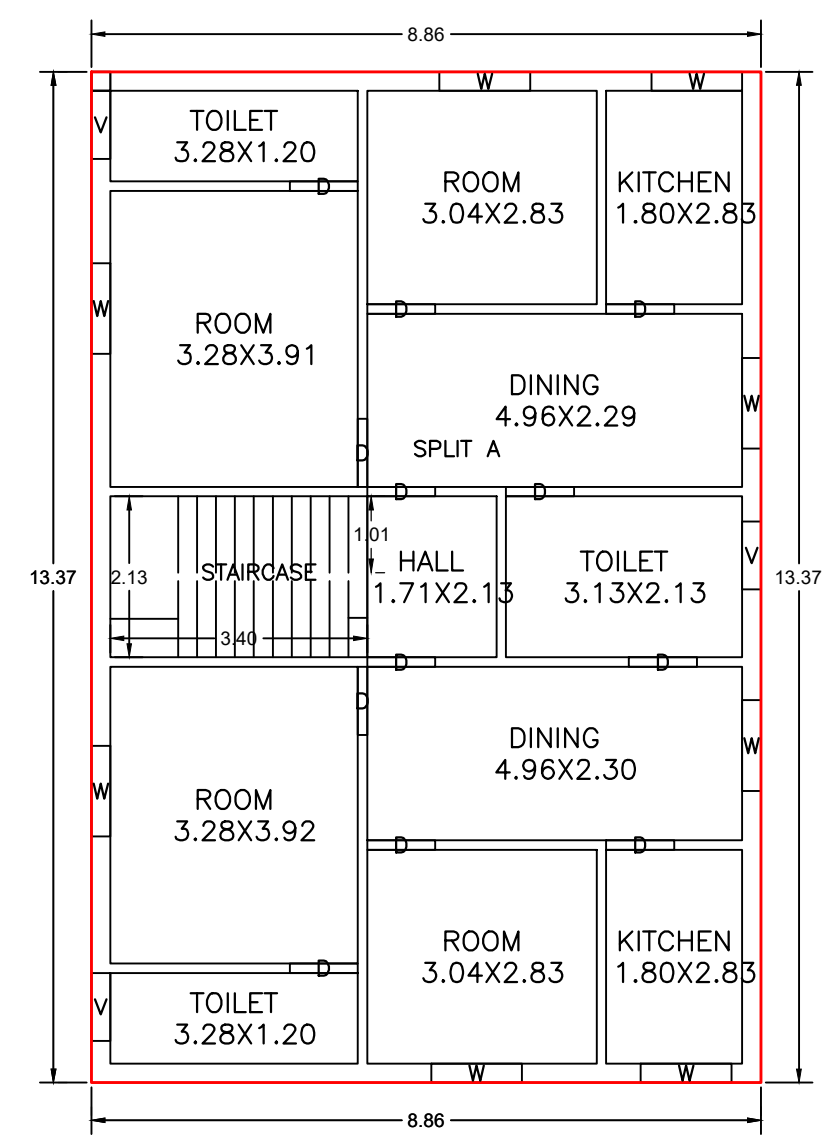
SEPTIC TANK DETAILS (SCALE 1:100)



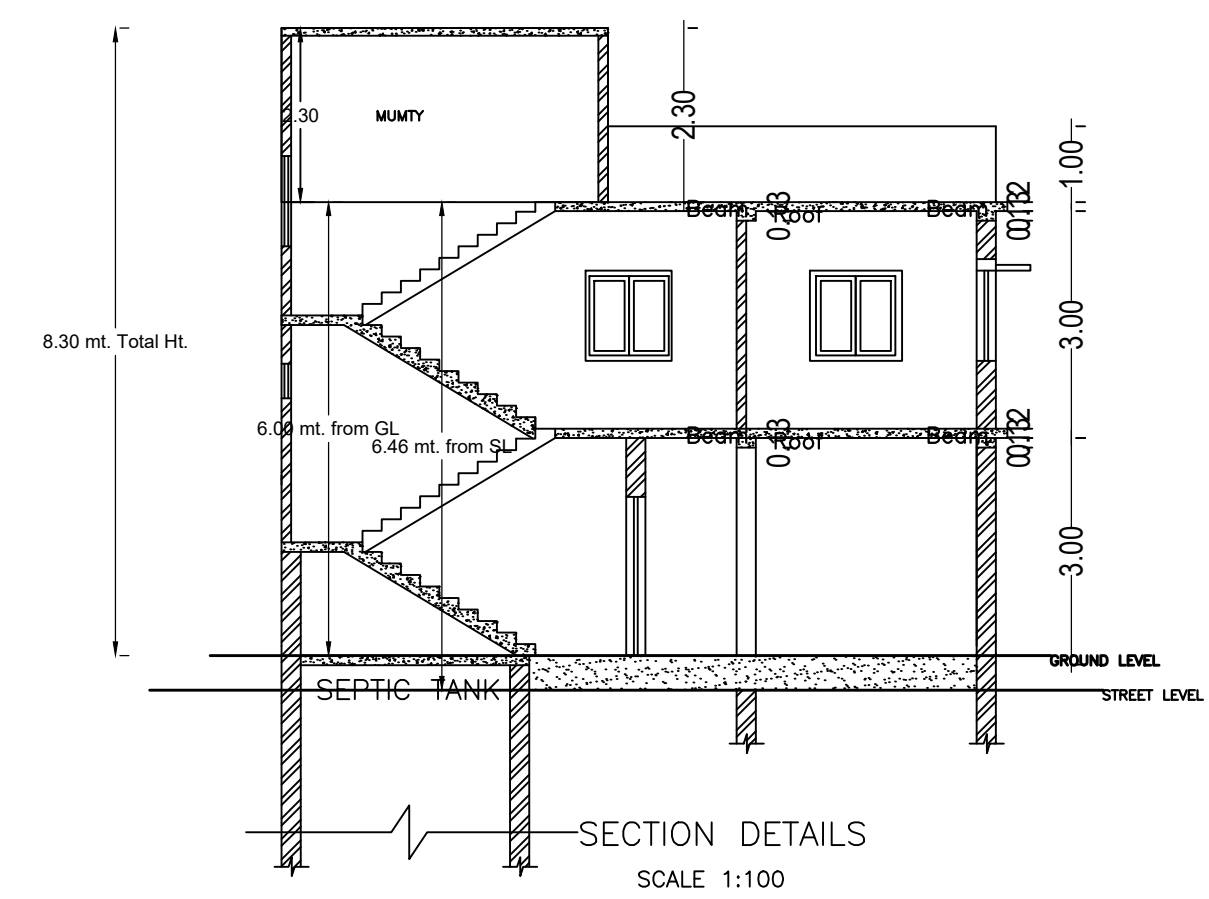
STRUCTURE DETAILS (SCALE 1:100)



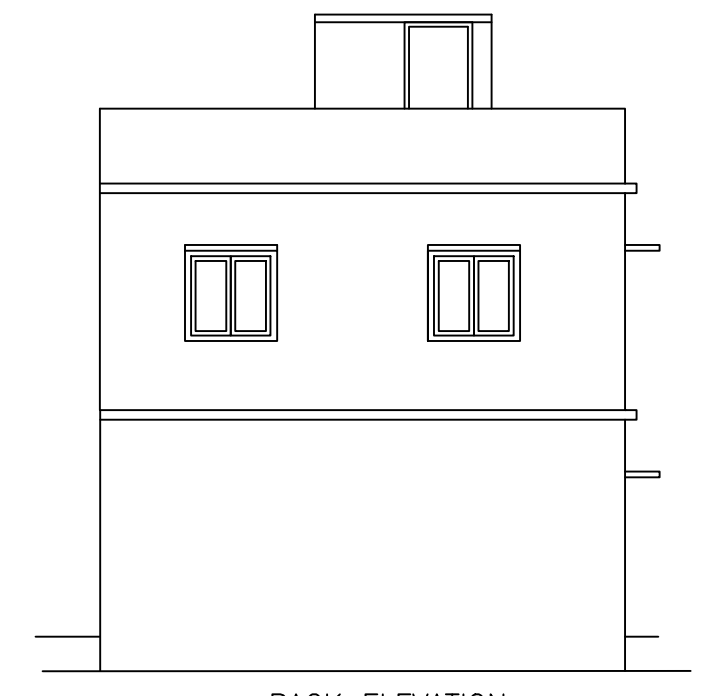
GROUND FLOOR PLAN (Proposed) (SCALE 1:100)



FIRST FLOOR PLAN (Proposed) (SCALE 1:100)



SECTION DETAILS (SCALE 1:100)



BACK ELEVATION (SCALE 1:100)

FAR & Tenement Details (Table 4c-1)

Building	No. of Same Bldg	Total Built Up Area (Sq.mt.)	Proposed FAR Area (Sq.mt.) Resi.	Total FAR Area (Sq.mt.)	Total Consumed Additional FAR Area (Sq.mt.)	Tnmt (No.)
A (BUILDING)	1	236.92	236.92	236.92	236.92	01
Grand Total :	1	236.92	236.92	236.92	236.92	01

Proposal Basic Information

Proposal File No.	MNNP/BI/0146/W09/2024
Owner Name	SUNITA RAVI
Khata No	40
Plot No	585
Village Name	Sudna
Use	Residential
SubUse	Bungalow/ Dwelling / Non Apartment

AREA STATEMENT		VERSION NO. : 1.0.70
MEDININAGAR MUNICIPAL CORPORATION		VERSION DATE: 16/10/2020
PROJECT DETAIL:		
Region: JHARKHAND URBAN LOCAL BODIES	Plot Use: Residential	
District: PALAMU	Plot SubUse: Bungalow/ Dwelling / Non Apartment	
Authority: MEDININAGAR MUNICIPAL CORPORATION	PlotNearby/Religious/Structure: NA	
Inward No: MNNP/BI/0146/W09/2024	Plot/SubPlot No: 585	
Application Type: General Proposal	North: -	
Project Type: Building Permission	South: -	
Nature of Development: New	East: -	
Location of Development Area: New Area	West: -	
AREA DETAILS:		
AREA OF PLOT (Minimum)	(A)	201.37
Deduction for NetPlot Area		
Surrender Free of Cost		16.20
Total		16.20
NET AREA OF PLOT(Gross Plot Area - Deduction from Gross Plot area)	(A-Deductions)	185.16
Deduction for Balance Plot Area(from Gross Plot Area)		
Surrender Free of Cost		16.20
Common Plot		16.08
Total		32.28
BALANCE AREA OF PLOT(Net Plot Area - Recreational/Amenity space)	(A-Deductions)	169.08
PLOT AREA FOR COVERAGE(Net Plot Area)	(A-Deductions)	185.16
Plot Area for FAR (Net Plot Area + Road/Widening Area)	(A-Deductions)	201.37
COVERAGE CHECK		
Permissible Coverage area (70.00 %)		129.61
Proposed Coverage Area (63.98 %)		118.46
Total Prop. Coverage Area (63.98 %)		118.46
Balance coverage area (6.02 %)		11.15
FAR CHECK		
Perm. FAR Area (1.200)		241.64
Total Perm. FAR area		241.64
Residential FAR		236.92
Proposed FAR Area		236.92
Total Proposed FAR Area		236.92
Consumed FAR (Factor)		1.18
Balance FAR Area		4.72
BUILT UP AREA CHECK		
Total Proposed BuiltUp Area		236.92
ARCHITECT (Regd)	PANKAJ KUMAR SINGH	
ENGINEER (Regd)		
SUPERVISOR (Regd)		
OWNER (Regd)	SUNITA RAVI	
DEVELOPMENT AUTHORITY		LOCAL BODY

COLOR INDEX	
PLOT BOUNDARY	[Red Line]
ABUTTING ROAD	[Green Line]
PROPOSED CONSTRUCTION	[Yellow Line]
COMMON PLOT	[Blue Line]
ROAD WIDENING AREA	[Orange Line]
EXISTING (To be retained)	[Grey Line]
EXISTING (To be demolished)	[Black Line]

Buildingwise Floor FAR Details

Floor Name	Building Name A (BUILDING)		Total	
	Proposed Built Up Area (Sq.mt.)	Proposed FAR Area (Sq.mt.)	Total Proposed Built Up Area (Sq.mt.)	Total FAR Area (Sq.mt.)
Ground Floor	118.46	118.46	118.46	118.46
First Floor	118.46	118.46	118.46	118.46
Terrace Floor	0.00	0.00	0.00	0.00
Total :	236.92	236.92	236.92	236.92

Building USE/SUBUSE Details

Building Name	Building Use	Building SubUse	Building Structure
A (BUILDING)	Residential	Bungalow/ Dwelling / Non Apartment	Non-Highrise

Building :A (BUILDING)

Floor Name	Total Built Up Area (Sq.mt.)	Proposed FAR Area (Sq.mt.) Resi.	Total FAR Area (Sq.mt.)	Total Consumed Additional FAR Area (Sq.mt.)	Tnmt (No.)
Ground Floor	118.46	118.46	118.46	118.46	01
First Floor	118.46	118.46	118.46	118.46	00
Terrace Floor	0.00	0.00	0.00	0.00	00
Total :	236.92	236.92	236.92	236.92	01
Total Number of Same Buildings	1				
Total :	236.92	236.92	236.92	236.92	01

SCHEDULE OF DOOR:

BUILDING NAME	NAME	LENGTH	HEIGHT	NOS
A (BUILDING)	D	0.90	2.10	24

SCHEDULE OF WINDOW/VENTILATION:

BUILDING NAME	NAME	LENGTH	HEIGHT	NOS
A (BUILDING)	V	0.90	0.60	06
A (BUILDING)	W	1.20	1.20	16

UnitBUA Table for Building :A (BUILDING)

FLOOR	Name	UnitBUA Type	UnitBUA Area	Carpet Area	No. of Rooms	No. of Tenement
GROUND FLOOR PLAN	SPLIT A	FLAT	221.37	221.24	12	1
FIRST FLOOR PLAN	SPLIT A	FLAT	0.00	0.00	12	0
Total:	-	-	221.37	221.24	24	1

LTP NAME AND SIGNATURE	STRUCTURAL ENG'S NAME AND SIGNATURE	BUILDER NAME AND SIGNATURE	DIGITAL SIGNATURE
PANKAJ KUMAR SINGH MNNP/ENG/0006/2019			