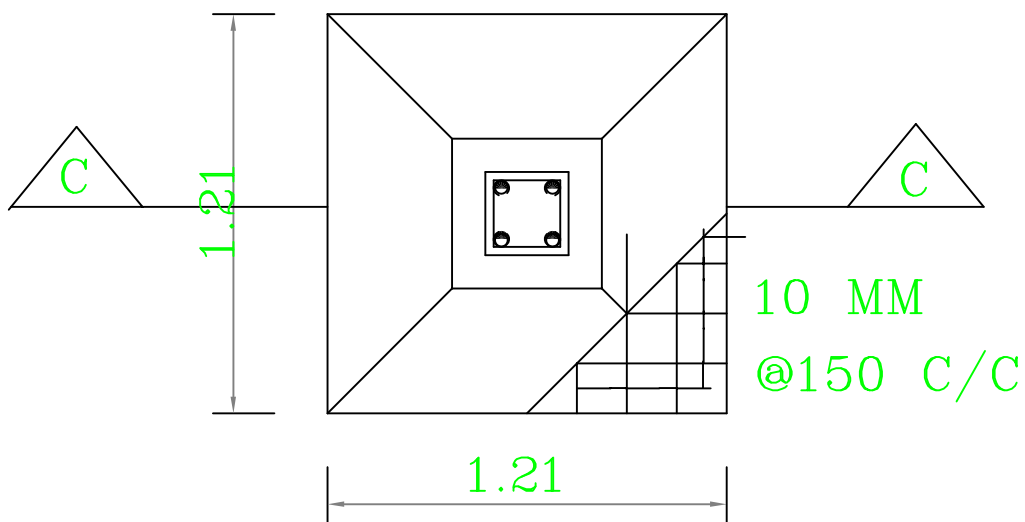


SECTION C—C



PLAN

R.C.C.COLUMN FOUNDN.