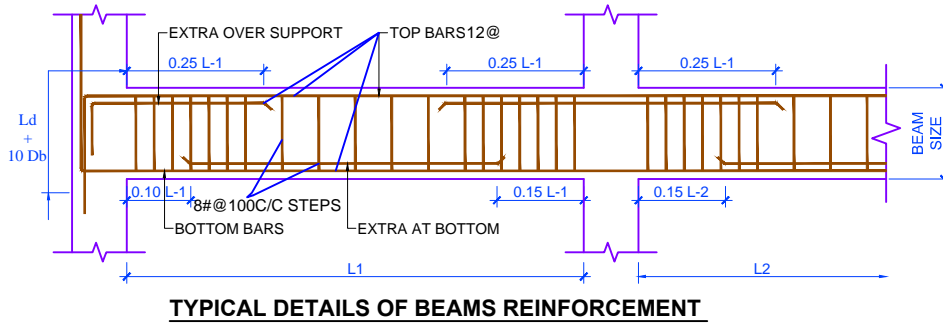
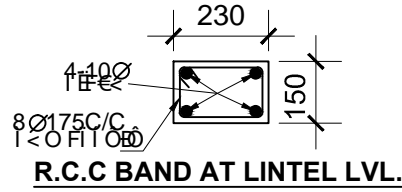
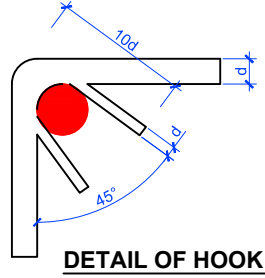
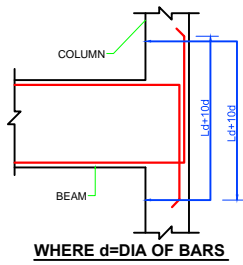
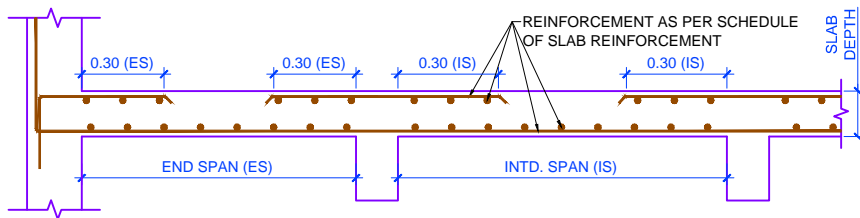


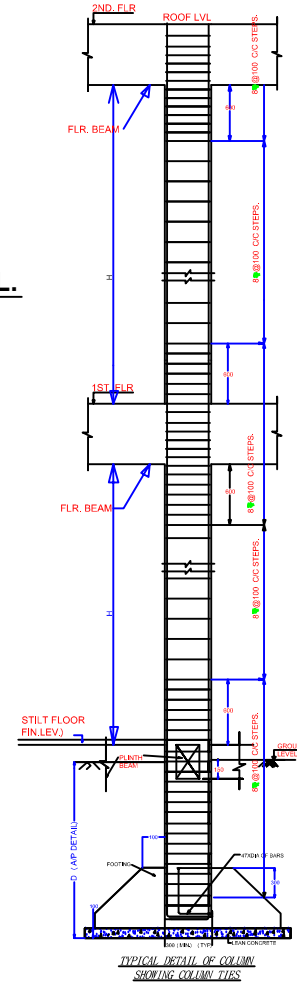
**DETAIL OF SLAB S-5**



**TYPICAL DETAILS OF BEAMS REINFORCEMENT**



**TYPICAL REINFORCEMENT OF SLAB**



**TYPICAL DETAIL OF COLUMN SHOWING COLUMN TIES**