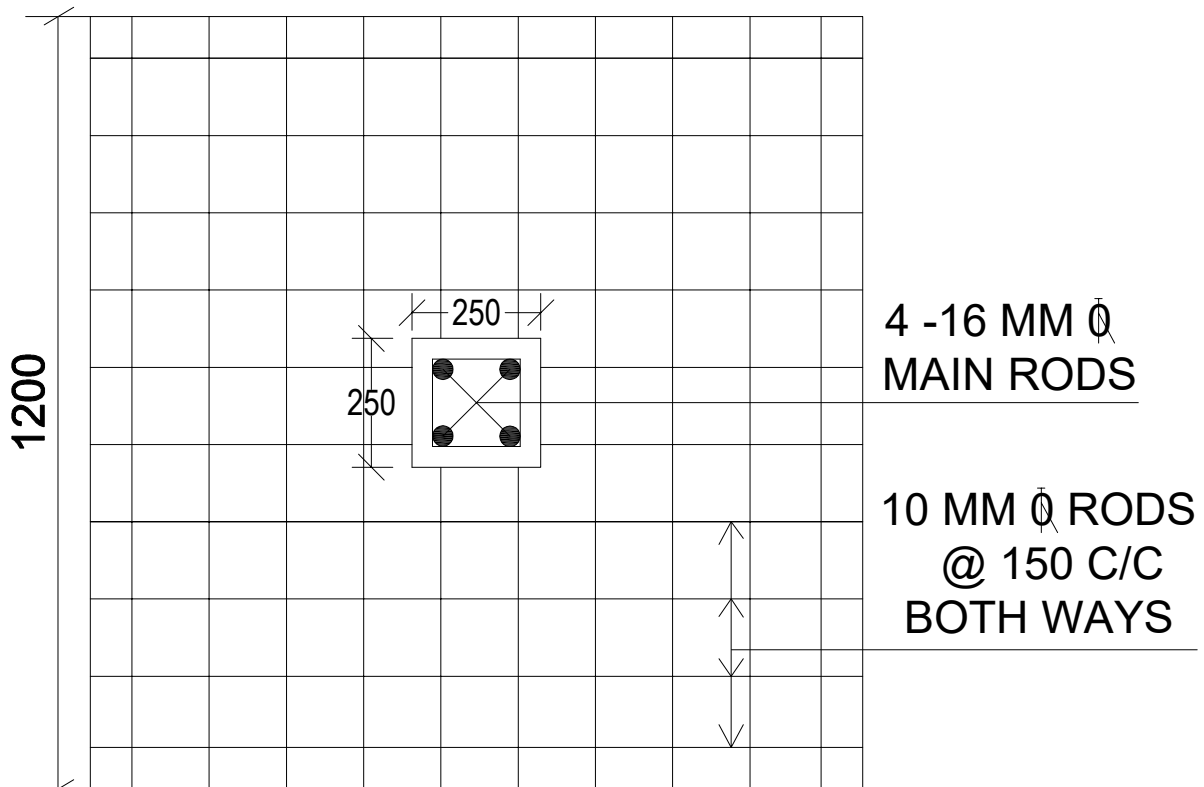
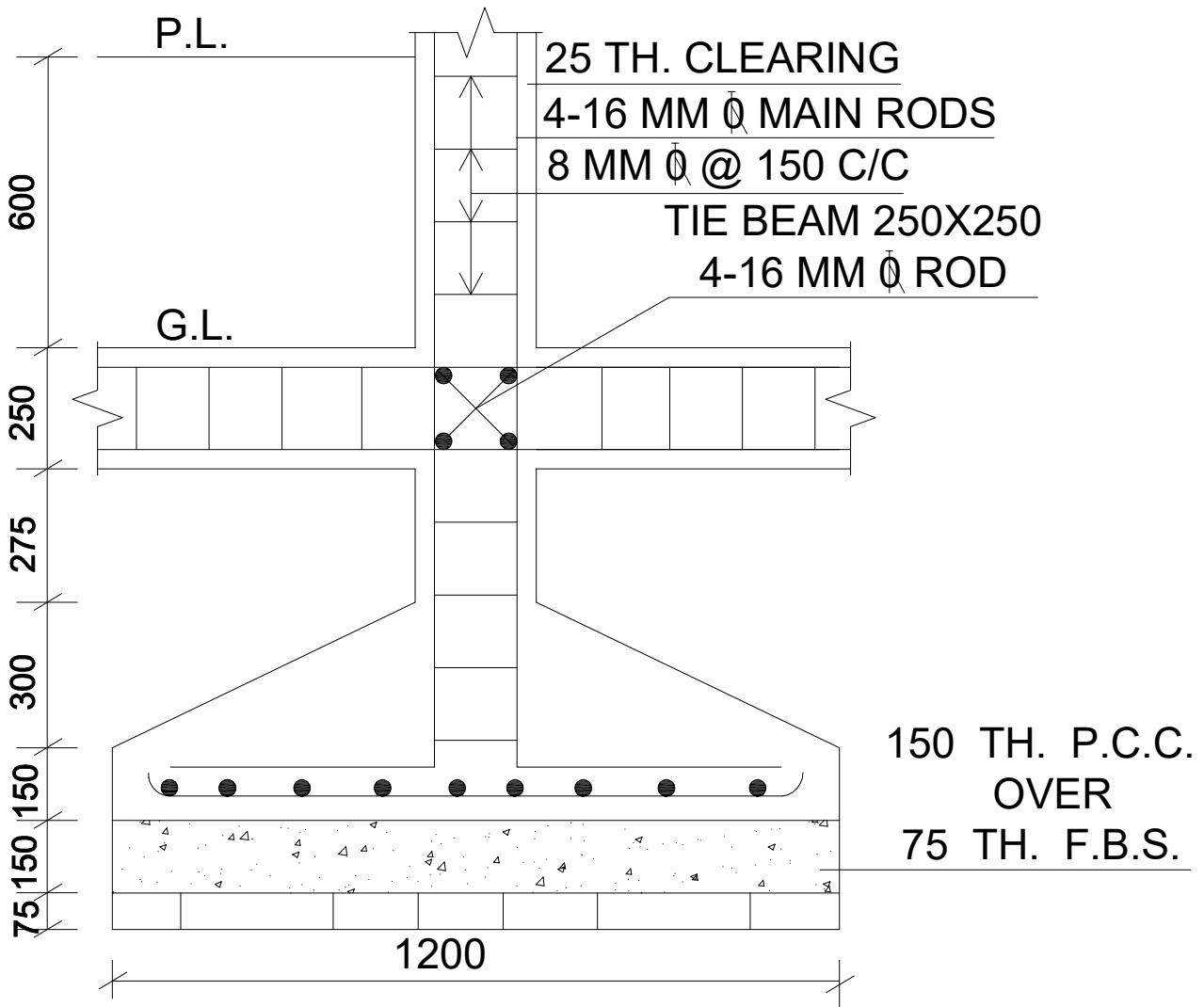


# DETAILS OF LINTEL & CHAJJA

SCALE 1:25



# DETAILS OF FOUNDATION

SCALE= 1:20