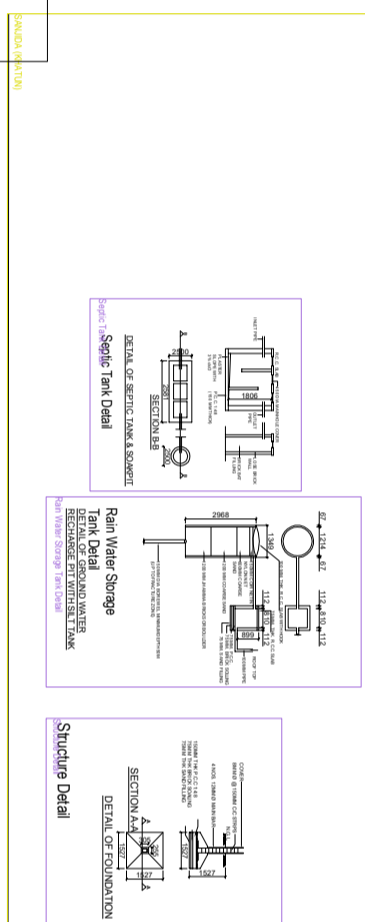
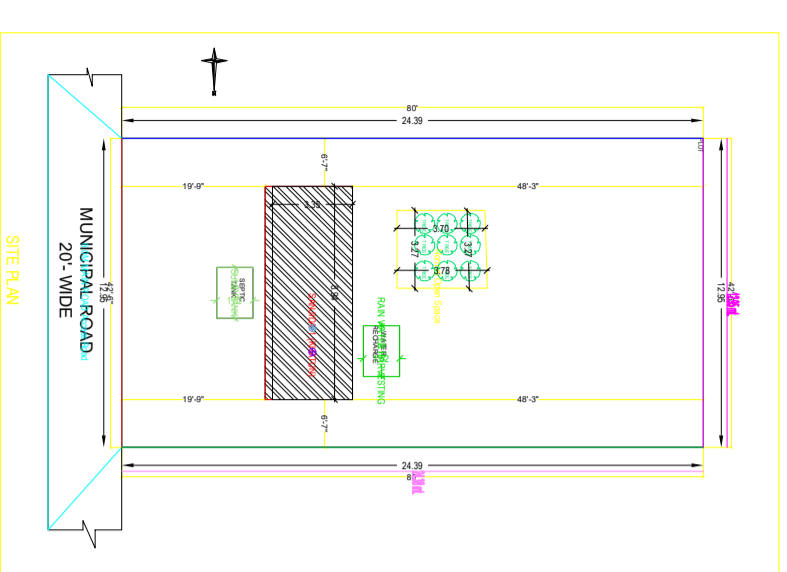
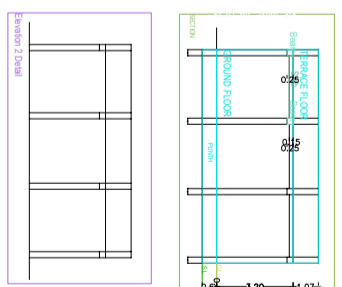
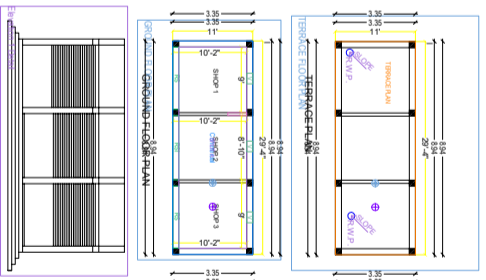
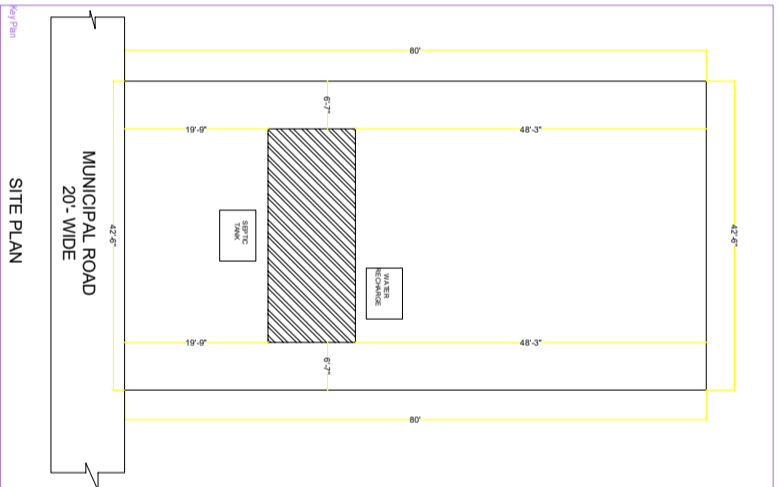
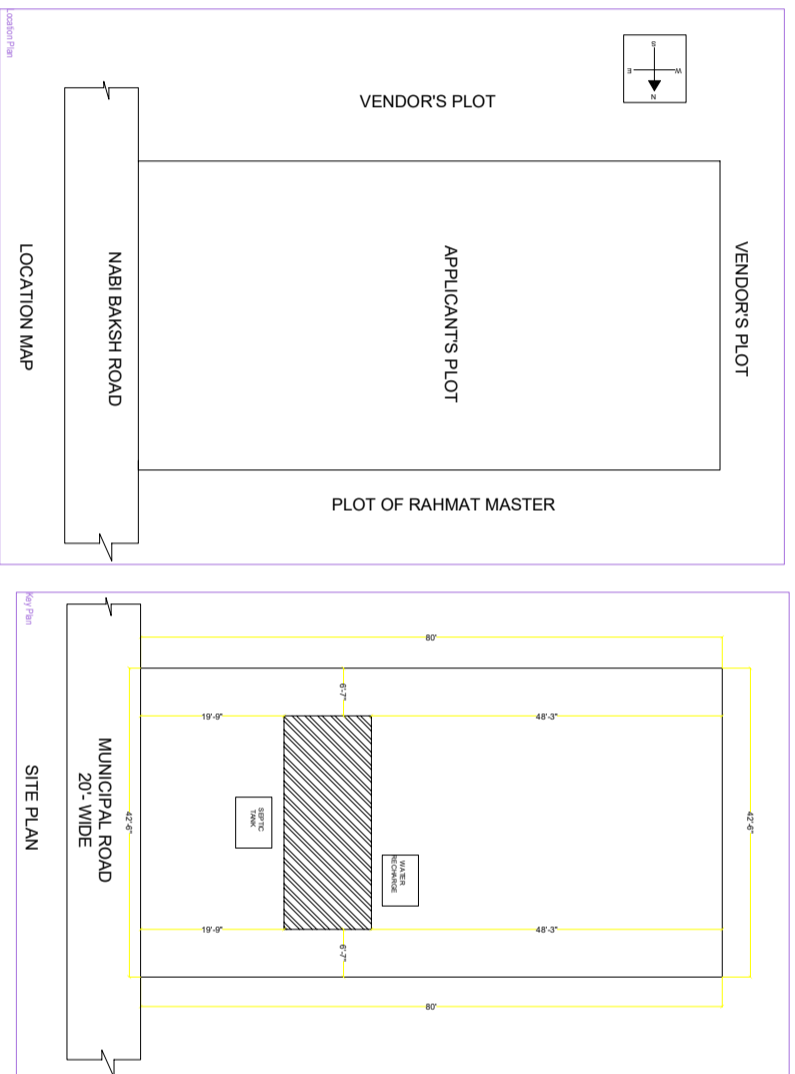


Project Title : SANJIDA KHATUN



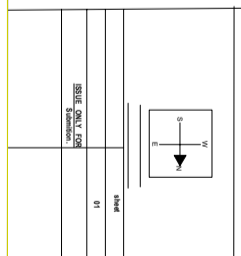
Building SANJIDA KHATUN

Total Built up Area (Sq.ft)		Permitted Area (Sq.ft)		Total Net Area (Sq.ft)	
Ground Floor	2138	2138	2138	2138	2138
1st Floor	2138	2138	2138	2138	2138
Total	4276	4276	4276	4276	4276

SCHEDULE OF JOINERY		SCHEDULE OF PAINTING		SCHEDULE OF GLAZING	
ITEM	QTY	ITEM	QTY	ITEM	QTY
WOOD	1500	PAINT	100	GLASS	100
IRON	100	PLASTER	100	ALUMINUM	100
CEMENT	100	CONCRETE	100	STEEL	100

UNISA Table Building SANJIDA KHATUN		UNISA Table Building SANJIDA KHATUN		UNISA Table Building SANJIDA KHATUN	
TOSSER	3	3	3	3	3
APPROXIM	2138	2138	2138	2138	2138
NO	1	1	1	1	1

PROPOSED RESIDENTIAL BUILDING FOR -
 SANJIDA KHATUN S/O ,
 LAND UNDER MOUZA :- ,
 WARD NO :- , UNDER PLOT NO- KHATA
 NO -7, THANA NO - , HOLDING NO -
 DISTRICT :- DEOGHAR, JHARKHAND.



MATERIALS		QUANTITY		UNIT PRICE		TOTAL VALUE	
ITEM	QTY	ITEM	QTY	ITEM	QTY	ITEM	QTY
WOOD	1500	PAINT	100	GLASS	100	ALUMINUM	100
IRON	100	PLASTER	100	CONCRETE	100	STEEL	100

COLOR INDEX		COLOR INDEX		COLOR INDEX	
ITEM	QTY	ITEM	QTY	ITEM	QTY
WOOD	1500	PAINT	100	GLASS	100
IRON	100	PLASTER	100	CONCRETE	100

MARGIN DETAIL		MARGIN DETAIL		MARGIN DETAIL	
ITEM	QTY	ITEM	QTY	ITEM	QTY
WOOD	1500	PAINT	100	GLASS	100
IRON	100	PLASTER	100	CONCRETE	100