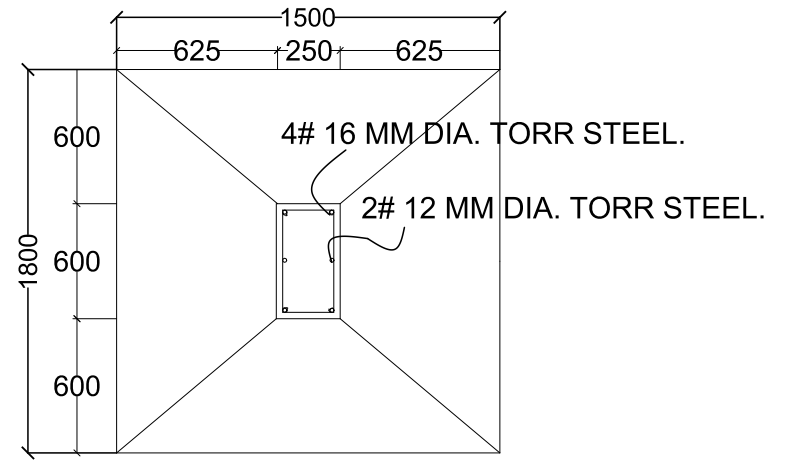


SECTION



PLAN

STRUCTURAL DRAWING