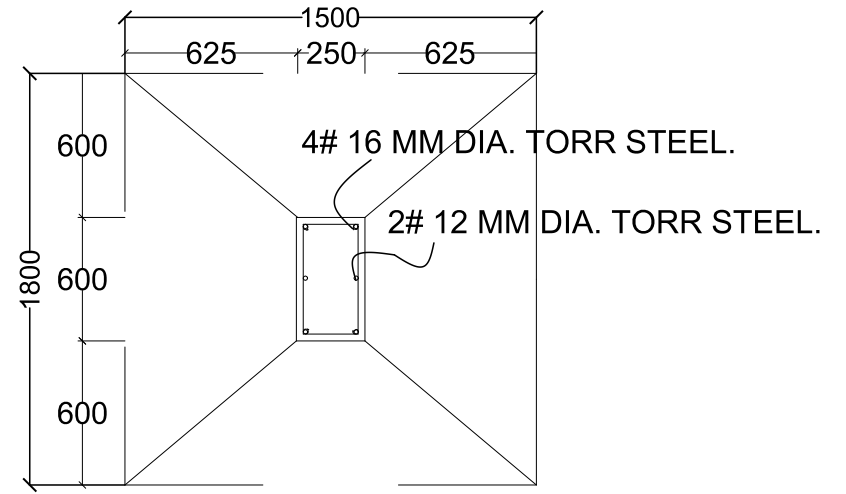


SECTION

STRUCTURAL DRAWING



PLAN