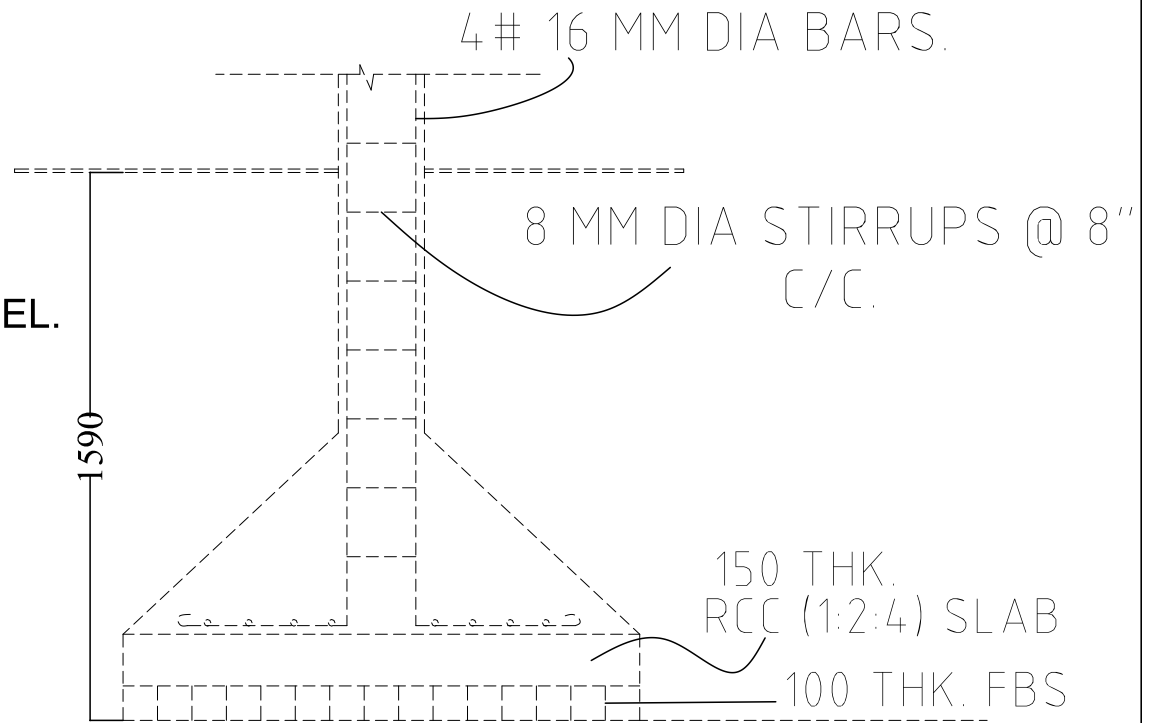


Structure Detail

PLAN



SECTION