

Building :A (MR BIBHAS KARMAKAR)

Floor Name	Total Built Up Area (Sq.mt.)	Deductions (Area in Sq.mt.)		Proposed FAR Area (Sq.mt.)	Total FAR Area (Sq.mt.)	Total Consumed Additional FAR Area (Sq.mt.)	Trmt (No.)
		Parking	Resi.				
Ground Floor	33.10	12.73	20.37	20.37	20.37	20.37	01
First Floor	33.11	0.00	33.11	33.11	33.11	33.11	00
Terrace Floor	0.00	0.00	0.00	0.00	0.00	0.00	00
Total :	66.21	12.73	53.48	53.48	53.48	53.48	01
Total Number of Same Buildings :	1						
Total :	66.21	12.73	53.48	53.48	53.48	53.48	01

SCHEDULE OF DOOR:

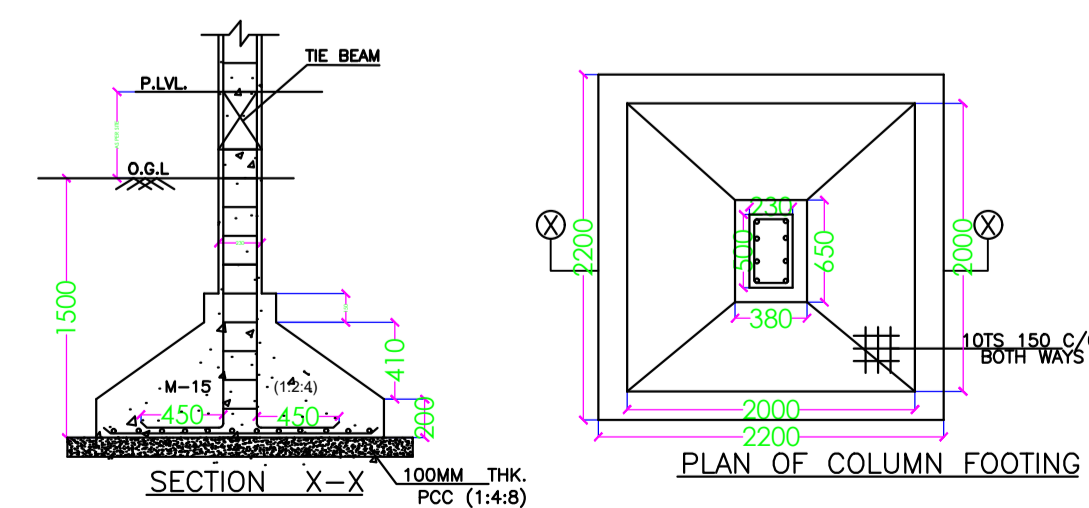
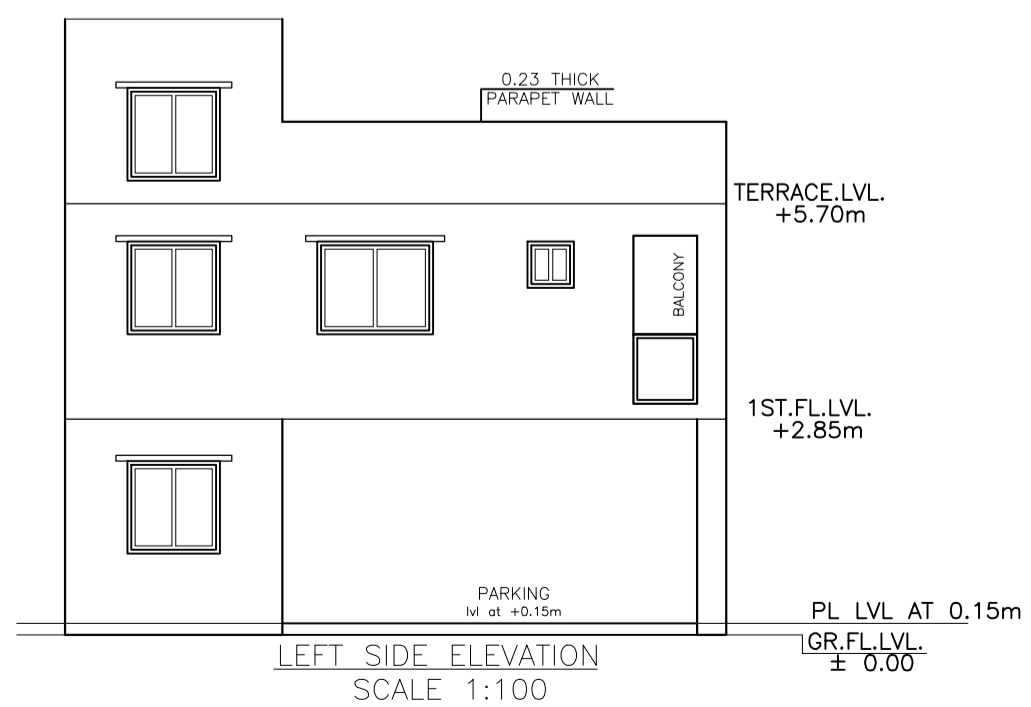
BUILDING NAME	NAME	LENGTH	HEIGHT	NOS
A (MR BIBHAS KARMAKAR)	D2	0.76	2.13	02
A (MR BIBHAS KARMAKAR)	D1	0.91	2.13	01
A (MR BIBHAS KARMAKAR)	D	0.99	2.13	02

SCHEDULE OF WINDOW/VENTILATION:

BUILDING NAME	NAME	LENGTH	HEIGHT	NOS
A (MR BIBHAS KARMAKAR)	W	1.12	2.50	01
A (MR BIBHAS KARMAKAR)	W1	1.22	2.50	04
A (MR BIBHAS KARMAKAR)	W	1.78	2.50	01

UnitBUA Table for Building :A (MR BIBHAS KARMAKAR)

FLOOR	Name	UnitBUA Type	UnitBUA Area	Carpet Area	No. of Rooms	No. of Tenement
GROUND FLOOR PLAN	SPLIT MR BIBHAS KARMAKAR	FLAT	25.43	24.60	1	1
FIRST FLOOR PLAN	SPLIT MR BIBHAS KARMAKAR	FLAT	0.00	0.00	3	0
Total:	-	-	25.43	24.60	4	1



LTP NAME AND SIGNATURE	STRUCTURAL ENG'S NAME AND SIGNATURE	BUILDER NAME AND SIGNATURE
SHYAM DUTT SHUKLA PNPCI/ENG/0004/2017		