

Building :A (SMT SADORI DEVI)

Floor Name	Total Built Up Area (Sq.mt.)	Proposed FAR Area (Sq.mt.) Resi.	Total FAR Area (Sq.mt.)	Total Consumed Additional FAR Area (Sq.mt.)	Tnmt (No.)
Ground Floor	71.25	71.25	71.25	71.25	01
First Floor	71.25	71.25	71.25	71.25	00
Terrace Floor	0.00	0.00	0.00	0.00	00
Total :	142.50	142.50	142.50	142.50	01
Total Number of Same Buildings :	1				
Total :	142.50	142.50	142.50	142.50	01

SCHEDULE OF DOOR:

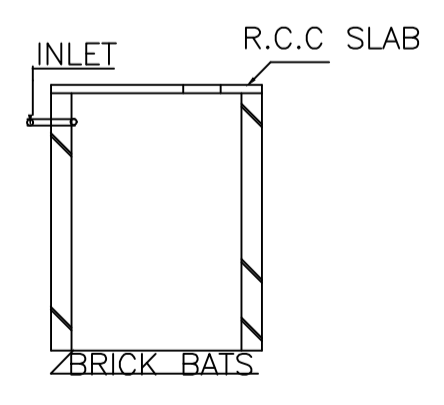
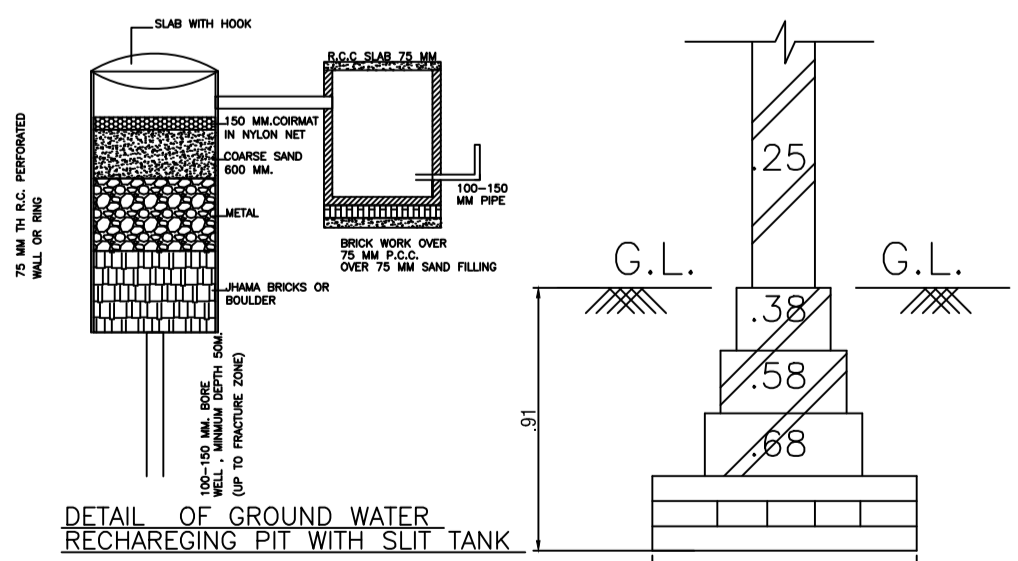
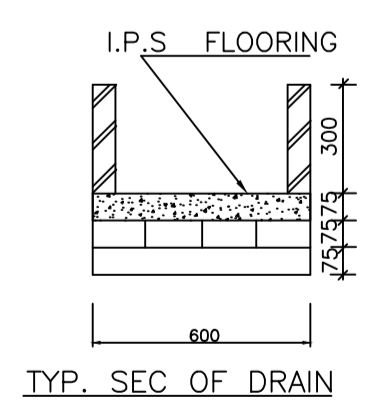
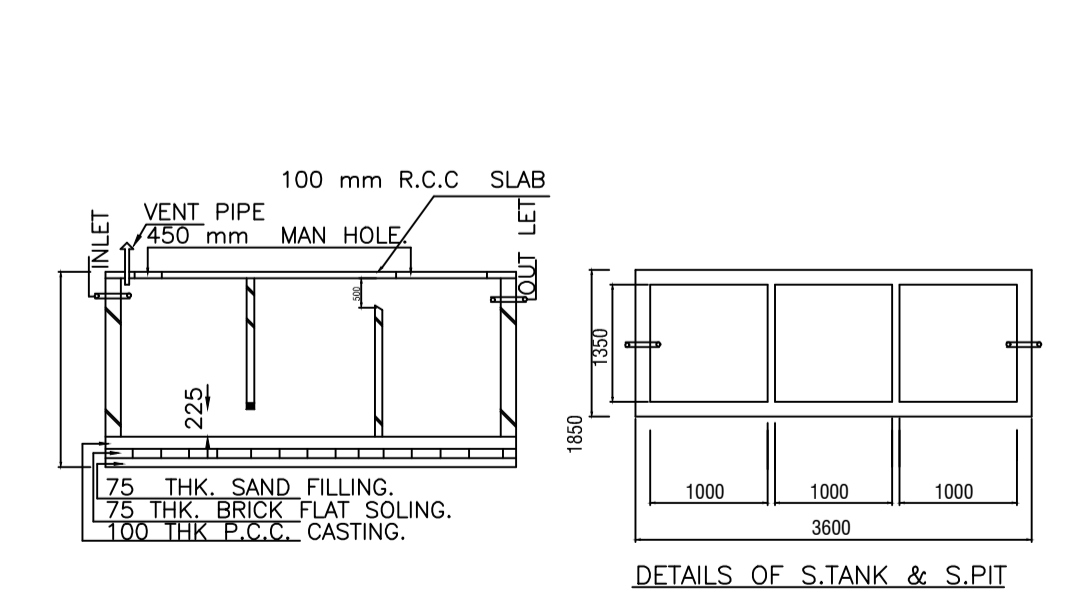
BUILDING NAME	NAME	LENGTH	HEIGHT	NOS
A (SMT SADORI DEVI)	D	0.90	2.10	11

SCHEDULE OF WINDOW/VENTILATION:

BUILDING NAME	NAME	LENGTH	HEIGHT	NOS
A (SMT SADORI DEVI)	V	0.76	0.76	02
A (SMT SADORI DEVI)	W	1.20	1.20	02
A (SMT SADORI DEVI)	W	1.50	2.50	02
A (SMT SADORI DEVI)	W	2.00	2.50	04
A (SMT SADORI DEVI)	W0	2.50	2.50	02

UnitBUA Table for Building :A (SMT SADORI DEVI)

FLOOR	Name	UnitBUA Type	UnitBUA Area	Carpet Area	No. of Rooms	No. of Tenement
GROUND FLOOR PLAN	SPLIT SMT SADORI DEVI	FLAT	108.63	103.25	5	1
FIRST FLOOR PLAN	SPLIT SMT SADORI DEVI	FLAT	0.00	0.00	5	0
Total:	-	-	108.63	103.25	10	1



LTP NAME AND SIGNATURE	STRUCTURAL ENG'S NAME AND SIGNATURE	BUILDER NAME AND SIGNATURE
SHYAM DUTT SHUKLA PNPC/ENG/0004/2017		