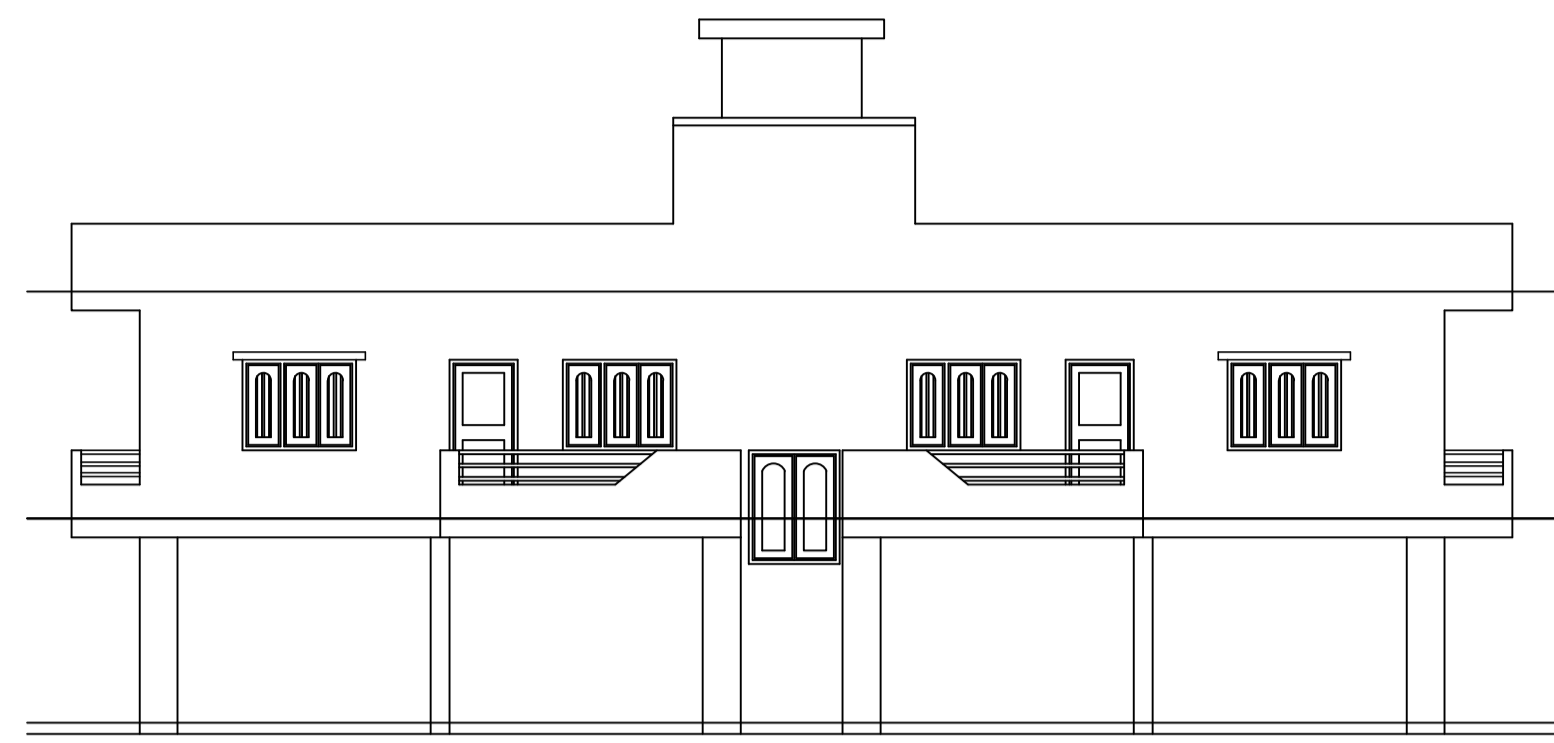
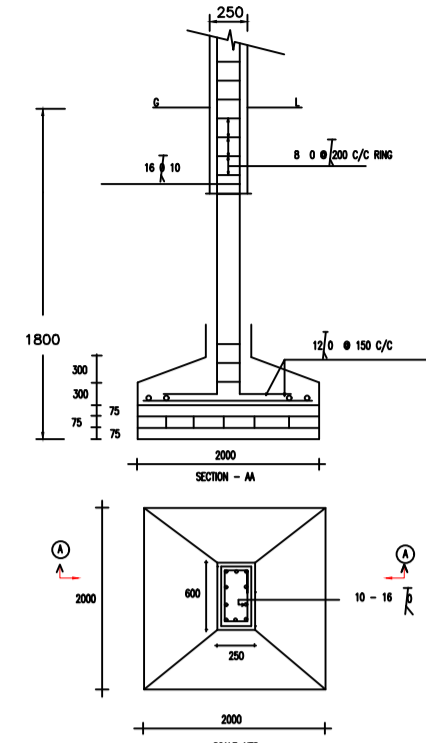


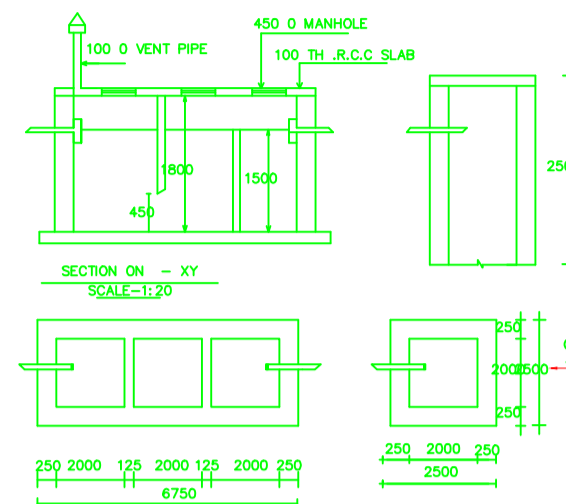
| Proposal Basic Information |                            |
|----------------------------|----------------------------|
| Proposal File No.          | PNPC/BP/0015/W15/2018      |
| Owner Name                 | RASHMUNI DEVI              |
| Khata No                   | 109/B                      |
| Plot No                    | 2570,2571,2572             |
| Village Name               | Pakur                      |
| Use                        | Residential                |
| SubUse                     | Residential Bldg/Apartment |



SIDE ELEVATION  
Scale 1:100



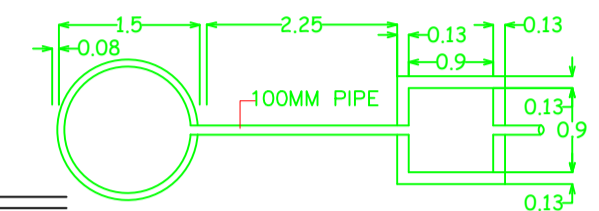
DETAIL OF FOUNDATION  
SCALE:1:20



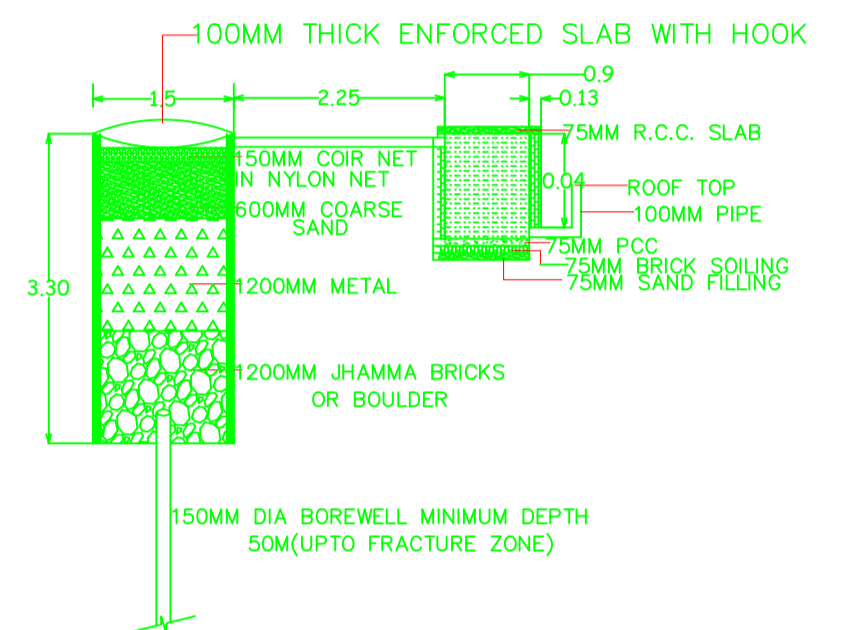
DETAIL OF SEPTIC TANK & SOAK PIT  
SCALE:1:20



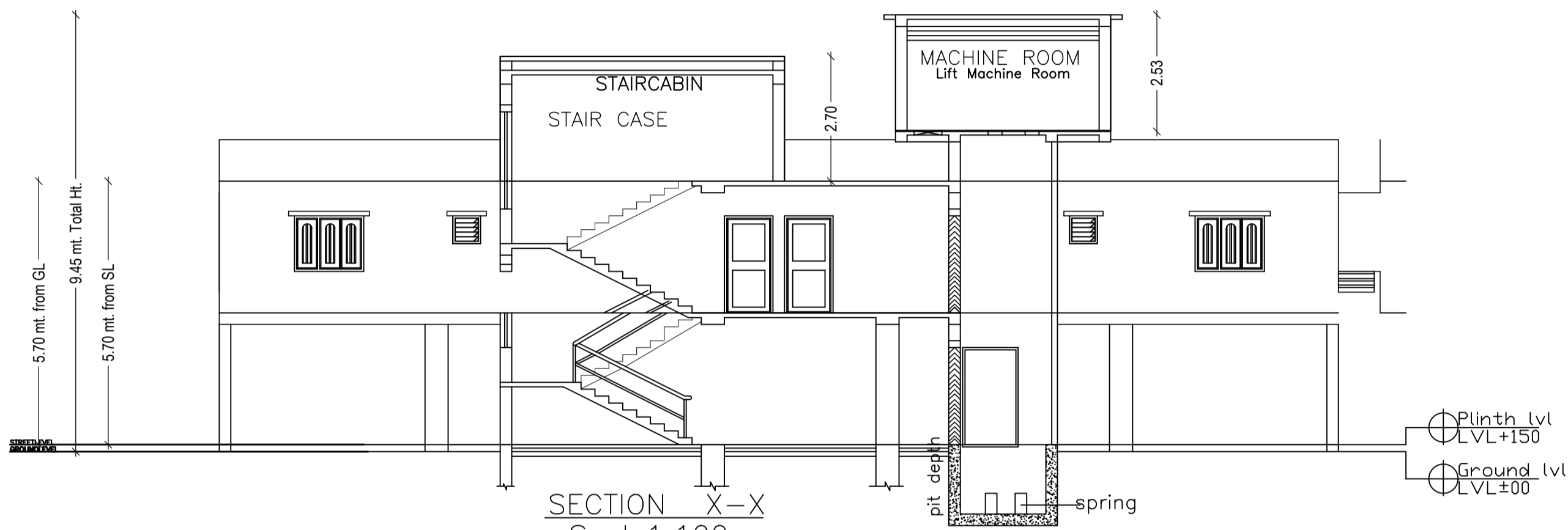
FRONT ELEVATION  
Scale 1:100



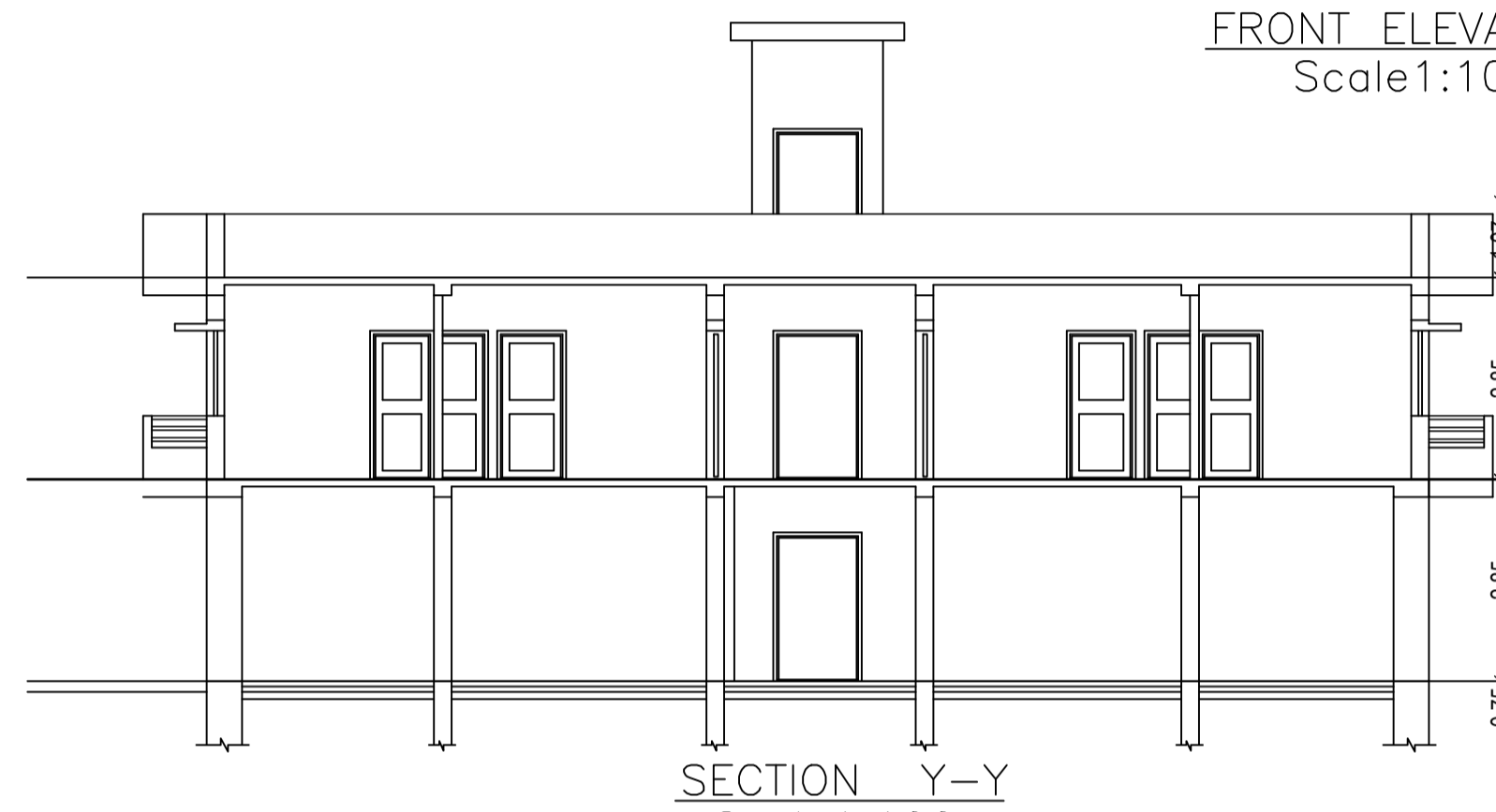
PLAN



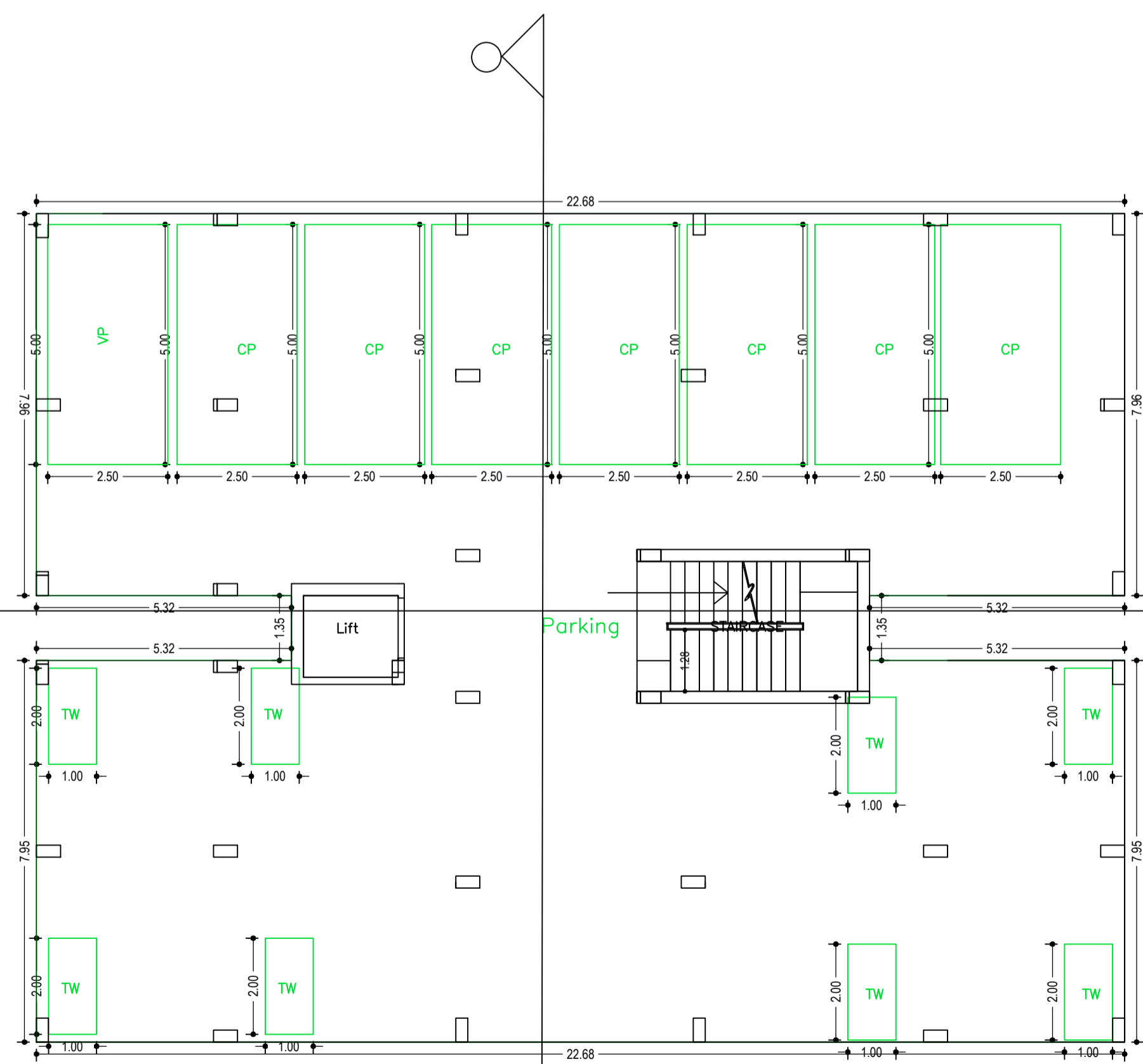
DETAIL OF RECHARGE WELL  
Scale - 1:100



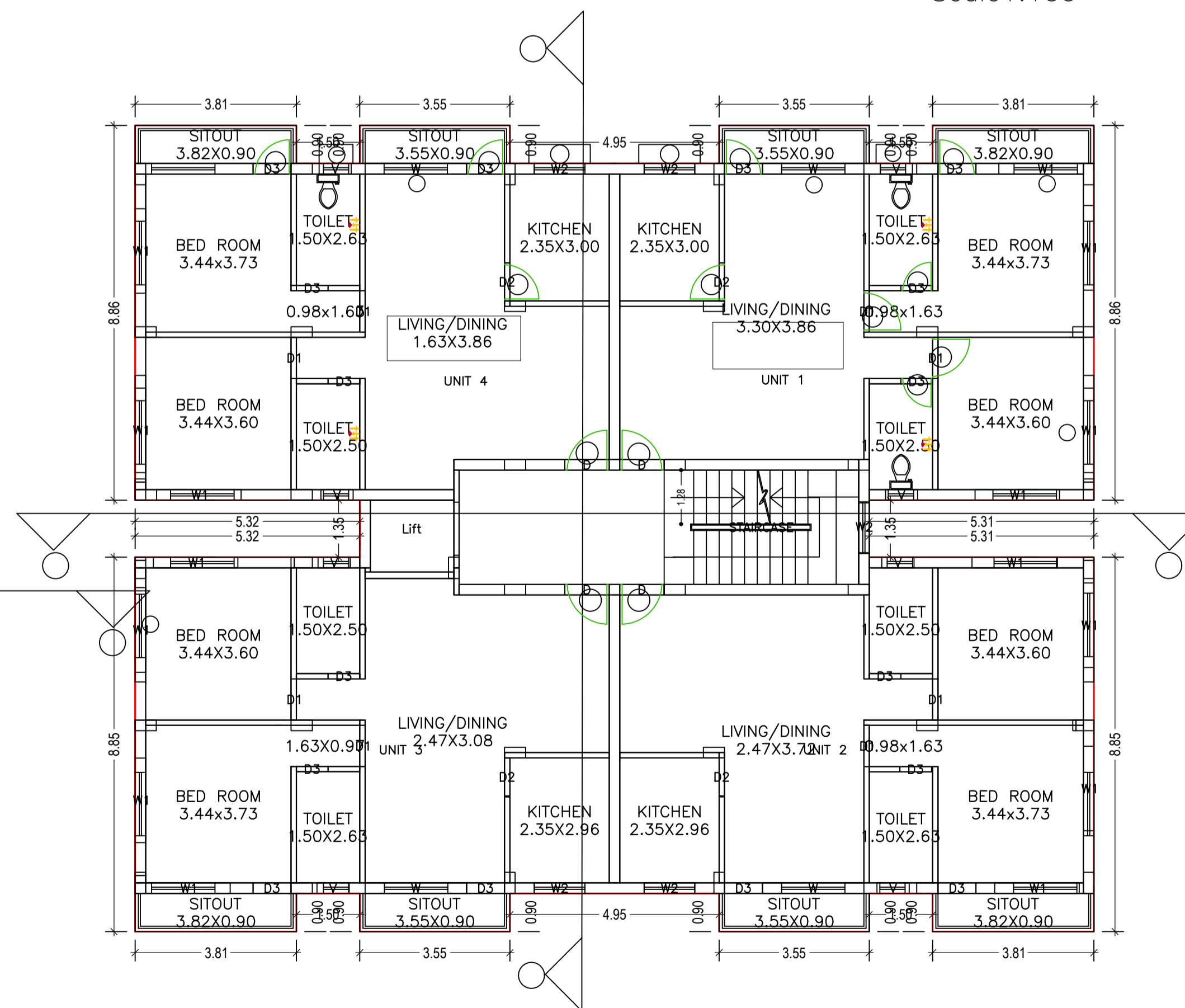
SECTION X-X  
Scale 1:100



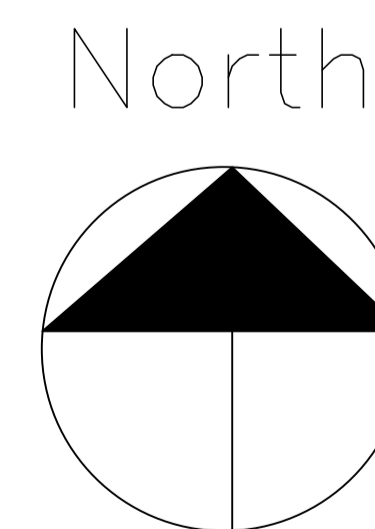
SECTION Y-Y  
Scale 1:100



GROUND FLOOR PLAN  
(SCALE 1:100)



FIRST FLOOR PLAN  
(Proposed)  
(SCALE 1:100)



Location Map  
scale - nts

| LTP NAME AND SIGNATURE                  | STRUCTURAL ENG'S NAME AND SIGNATURE | BUILDER NAME AND SIGNATURE |
|---|-------------------------------------|----------------------------|
| SHYAM DUTT SHUKLA<br>PNPC/ENG/0004/2017 |                                     |                            |