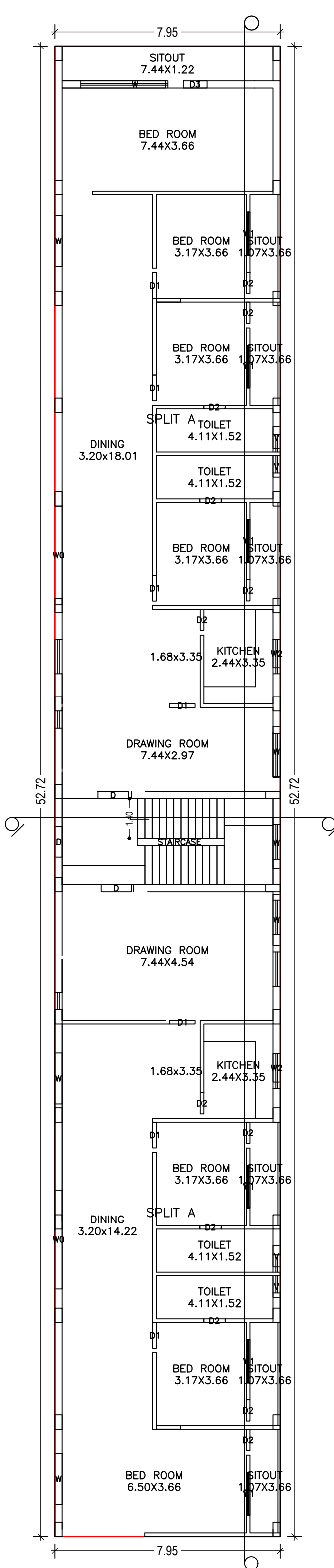


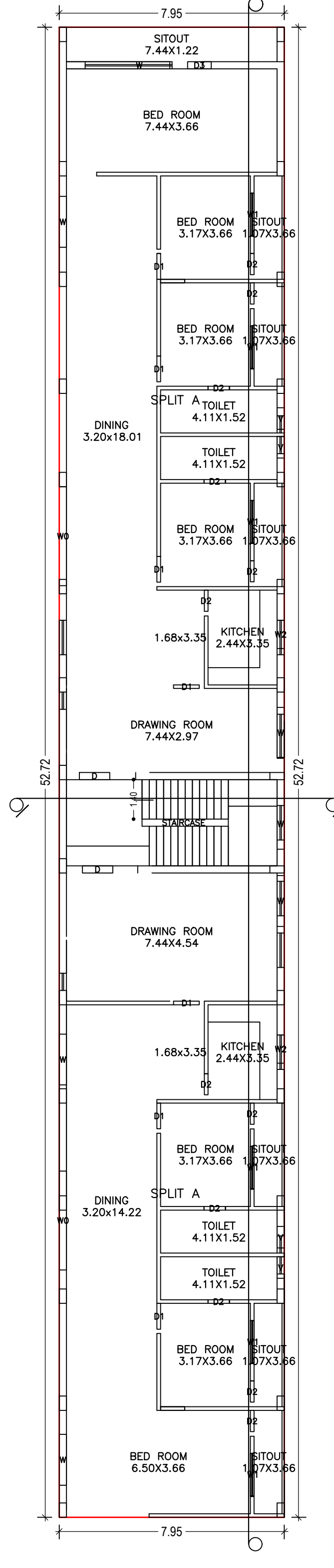
Proposal Basic Information	
Proposal File No.	PNPC/BP/0028/W01/2018
Owner Name	MR BIMAL KUMAR PANDEY
Khata No	4
Plot No	684
Village Name	Pakur
Use	Residential
SubUse	Residential Bldg/Apartment

LTP NAME AND SIGNATURE	STRUCTURAL ENG'S NAME AND SIGNATURE	BUILDER NAME AND SIGNATURE	DIGITAL SIGNATURE
SHYAM DUTT SHUKLA PNPC/ENG/0004/2017			

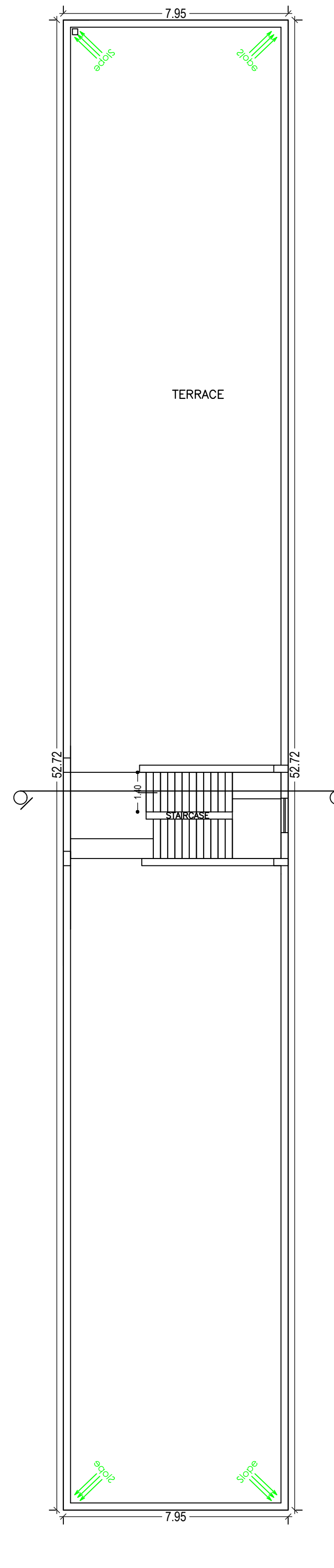
Proposal Basic Information	
Proposal File No.	PNPC/BP/0028/W01/2018
Owner Name	MR BIMAL KUMAR PANDEY
Khata No	4
Plot No	684
Village Name	Pakur
Use	Residential
SubUse	Residential Bldg/Apartment



GROUND FLOOR PLAN  
(Proposed)  
(SCALE 1:100)



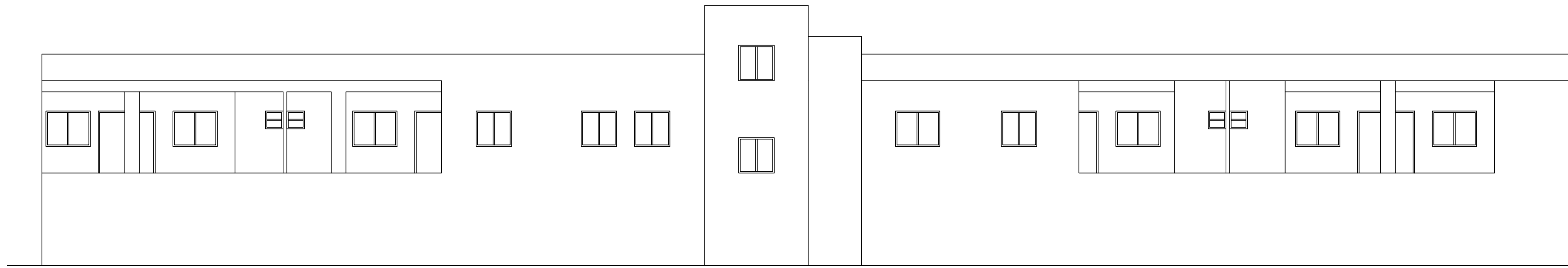
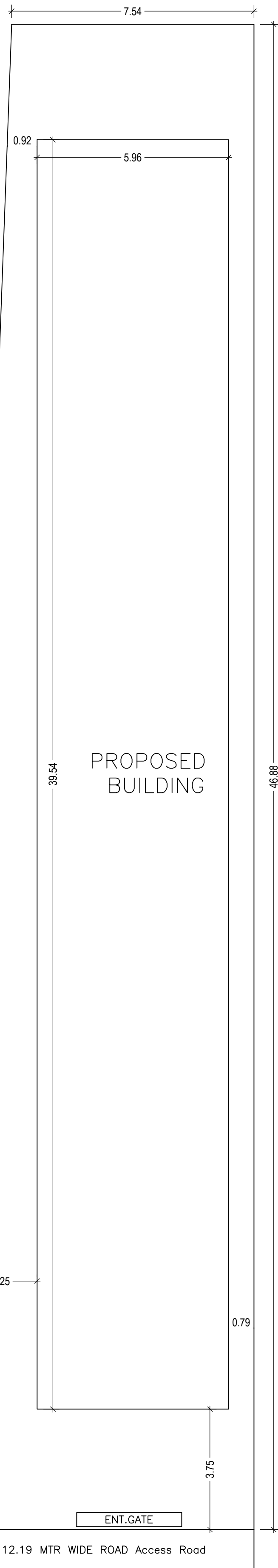
FIRST FLOOR PLAN  
(Proposed)  
(SCALE 1:100)



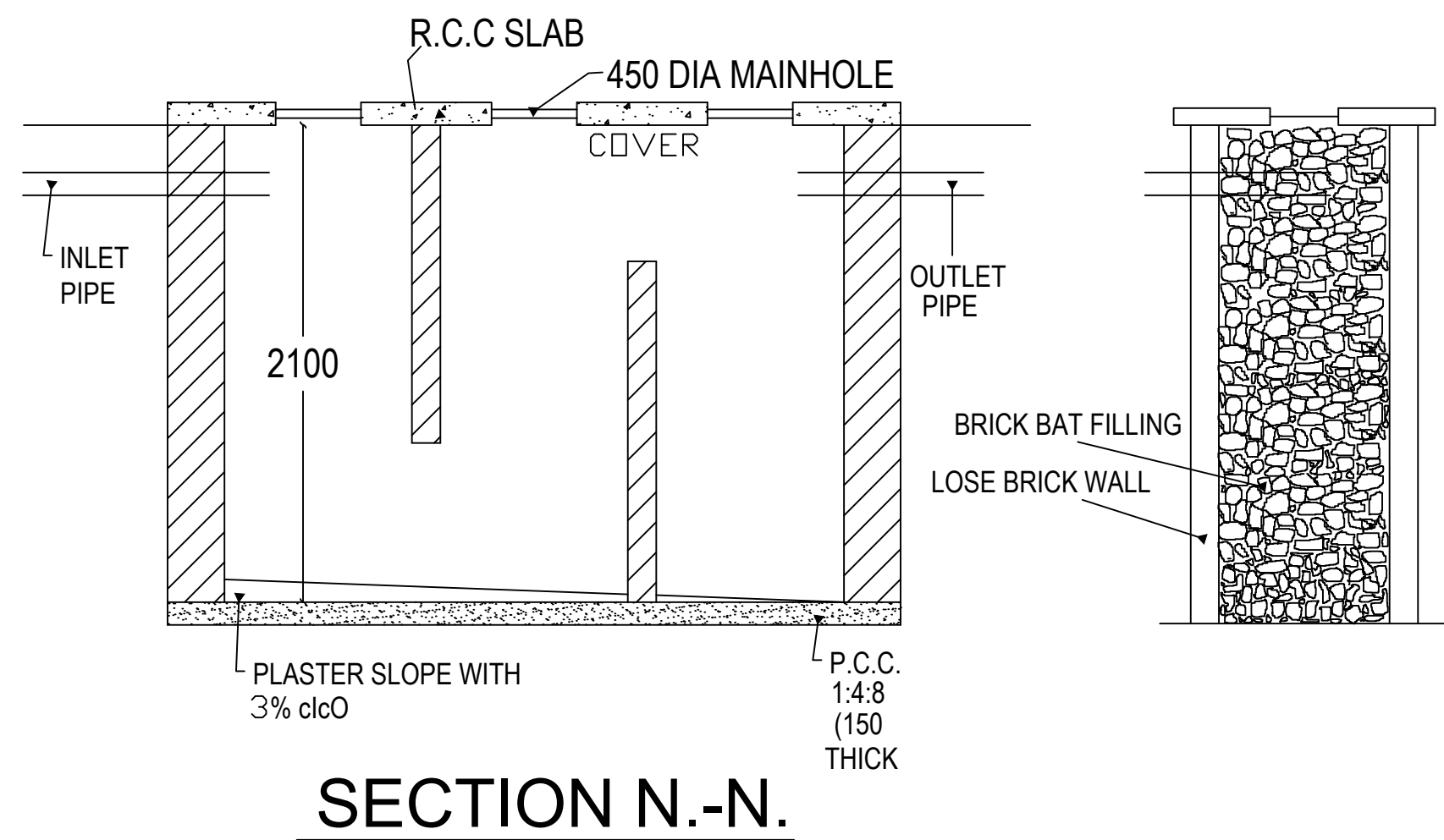
TERRACE FLOOR PLAN  
(SCALE 1:100)

LTP NAME AND SIGNATURE	STRUCTURAL ENG'S NAME AND SIGNATURE	BUILDER NAME AND SIGNATURE	DIGITAL SIGNATURE
SHYAM DUTT SHUKLA PNPC/ENG/0004/2017			

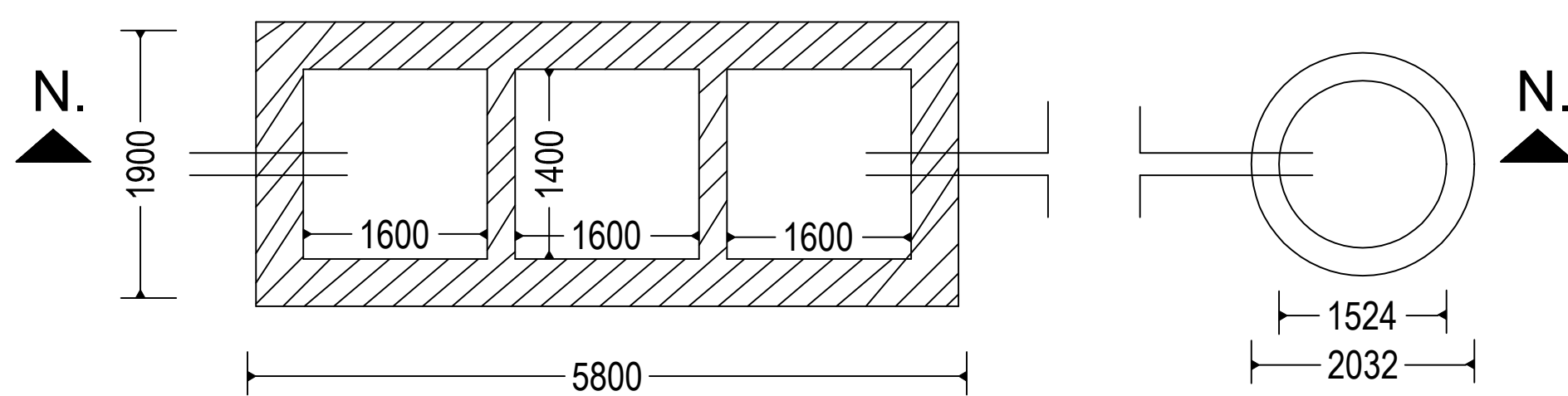
Proposal Basic Information	
Proposal File No.	PNPC/BP/0028/W01/2018
Owner Name	MR BIMAL KUMAR PANDEY
Khata No	4
Plot No	684
Village Name	Pakur
Use	Residential
SubUse	Residential Bldg/Apartment



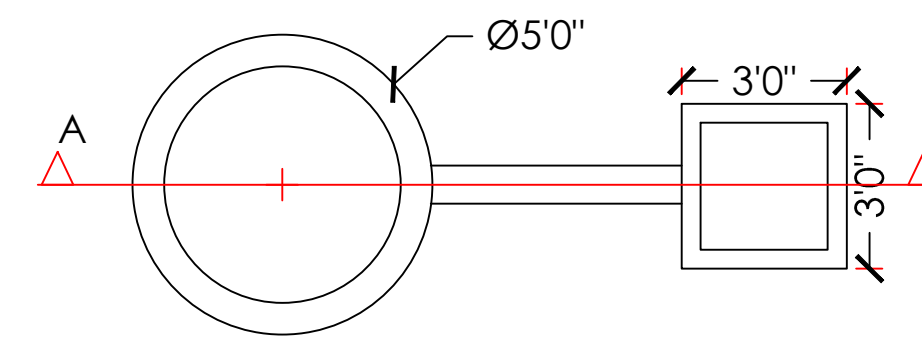
RIGHT SIDE ELEVATION  
Scale:- 100



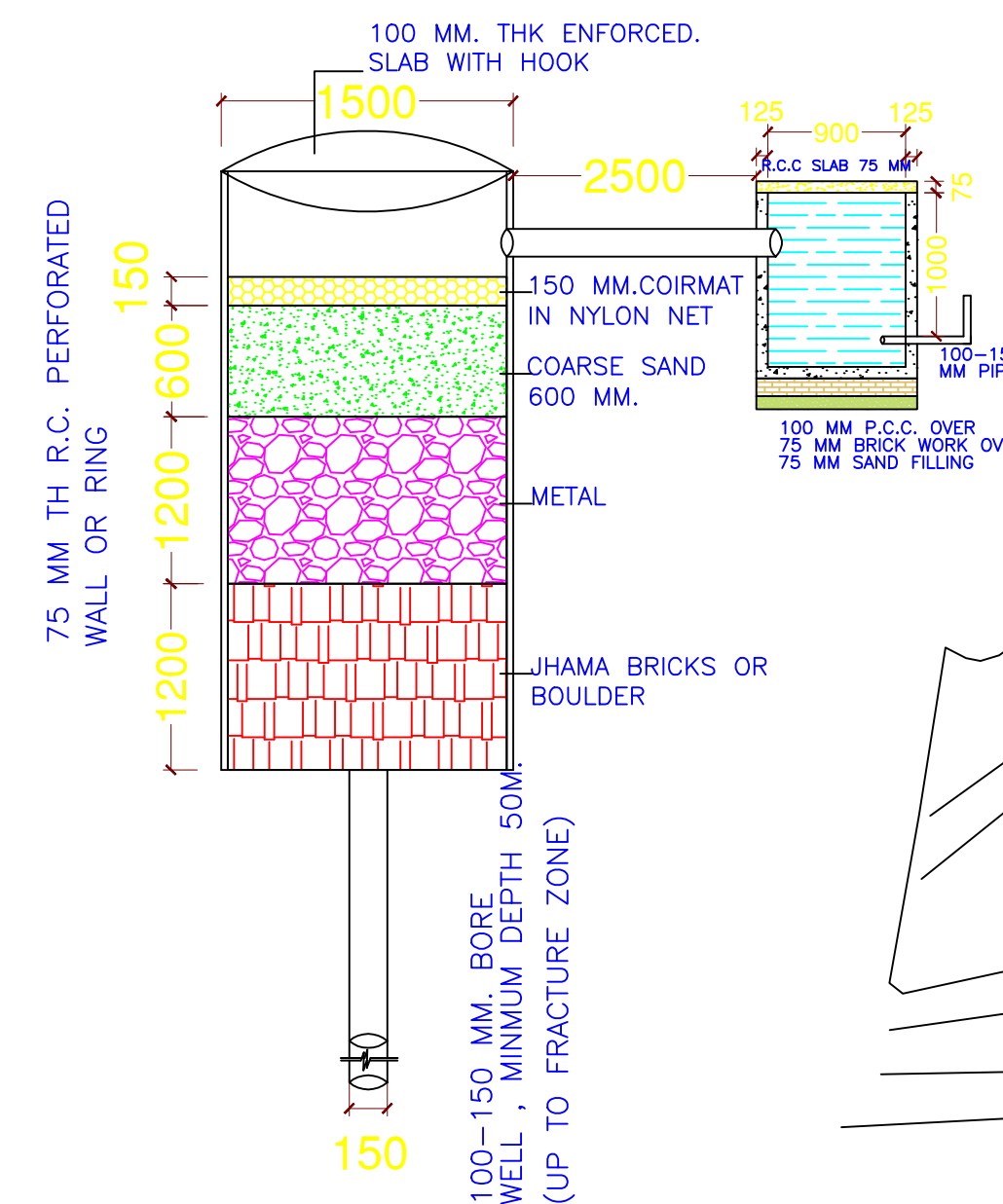
SECTION N.-N.



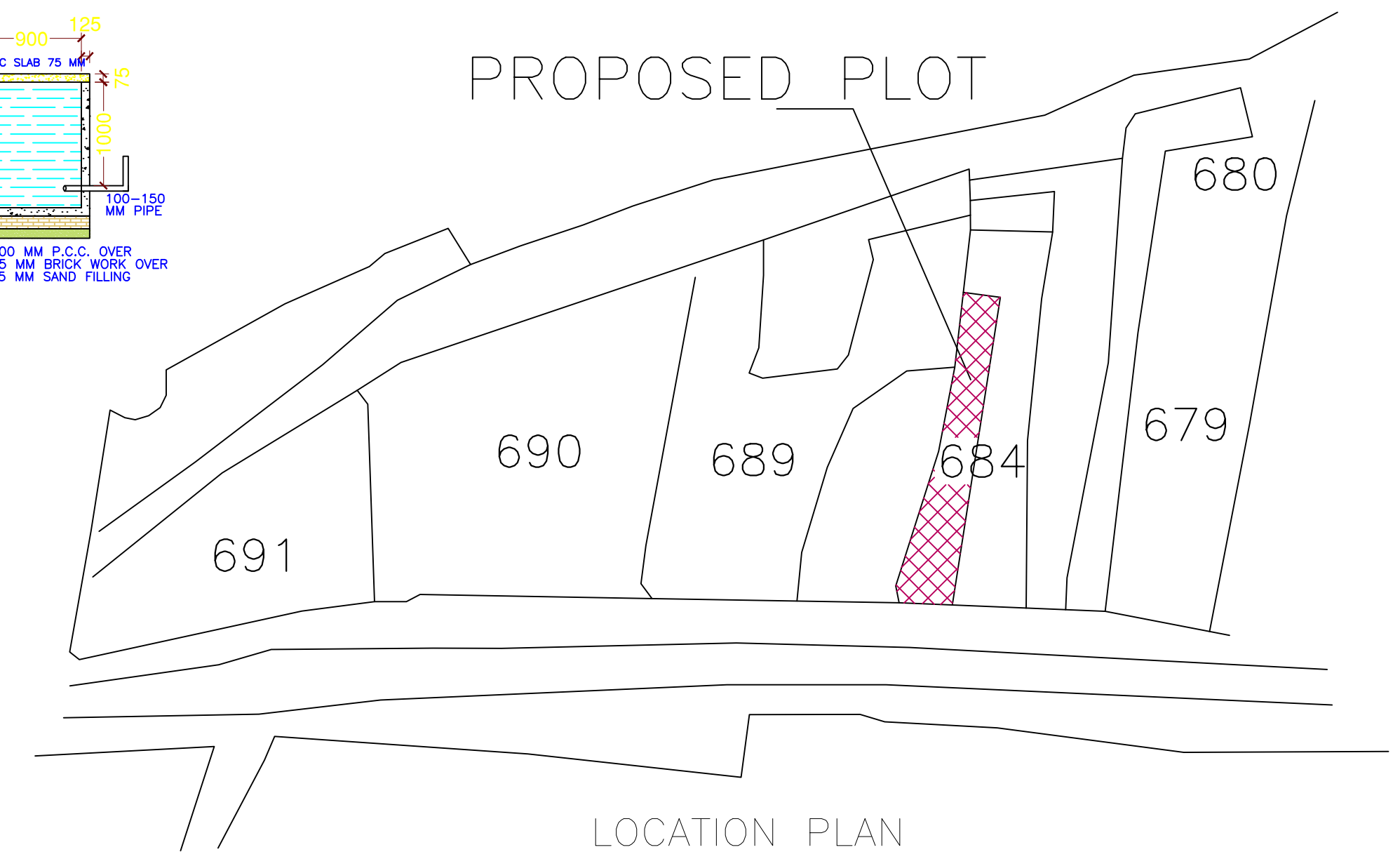
DETAIL OF SEPTIC TANK & SOAKPIT.



DETAIL OF GROUND WATER  
RECHARGING PIT WITH SLIT TANK



SECTION AT A-A (SCALE 1:50)



LOCATION PLAN  
Scale:- N.T.S

SITE PLAN  
SCALE :- 1:100

LTP NAME AND SIGNATURE	STRUCTURAL ENG'S NAME AND SIGNATURE	BUILDER NAME AND SIGNATURE	DIGITAL SIGNATURE
SHYAM DUTT SHUKLA PNPC/ENG/0004/2017			